

Alberto

Wardrobe

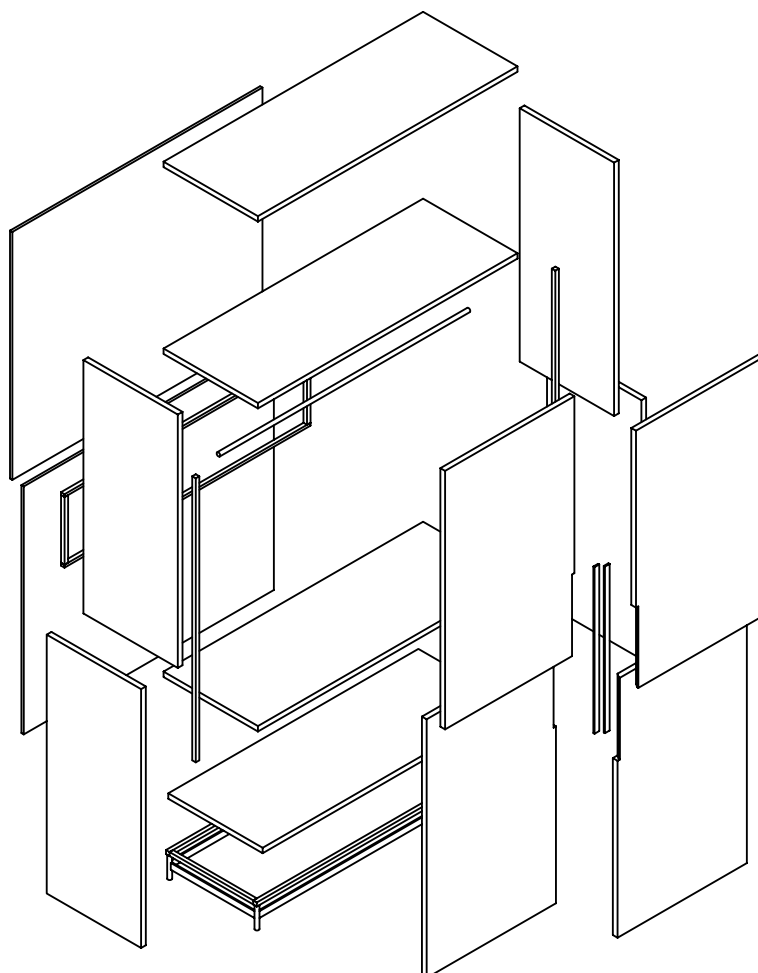
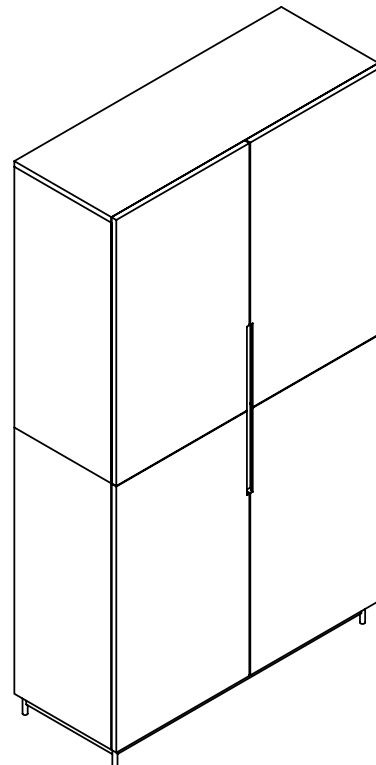


Master Codes: 119-248, 119-249, 119-250, 119-251

W2200 H1030 D423

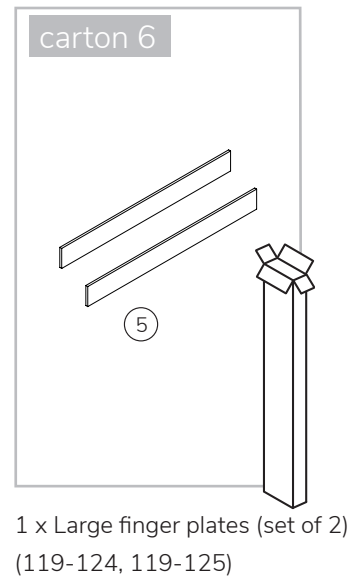
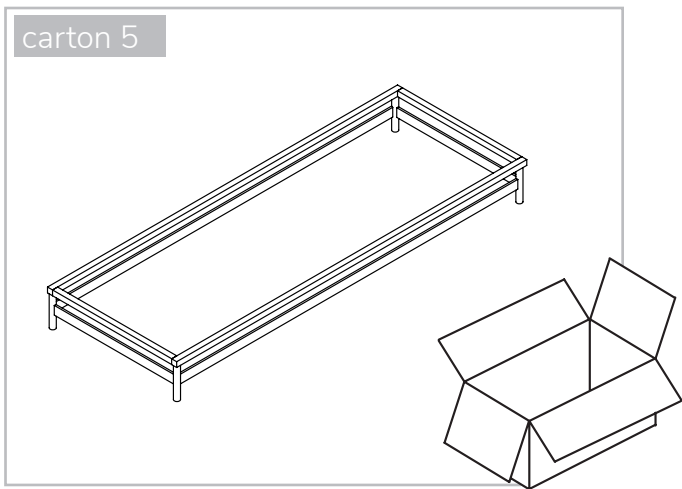
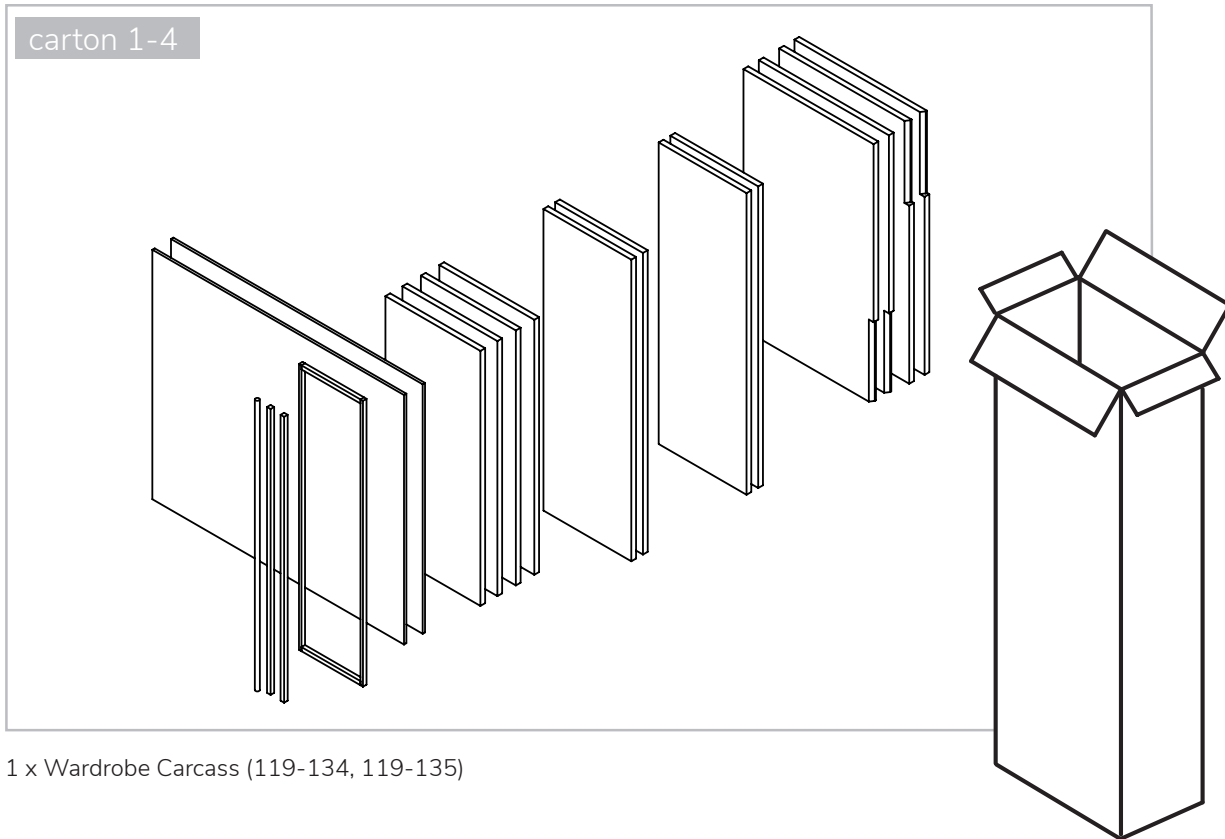


1-2 hrs



items

total cartons = 6



hardware



Item **A** x 4
16mm bolts



Item **C** x 28
8 x 40mm wood dowel



Item **F** x 76
4 x 16mm screw



Item **AA** x 12
10mm bolts



Item **D** x 22
M6 x 25mm screw



Item **G** x 12
4 x 12mm screw

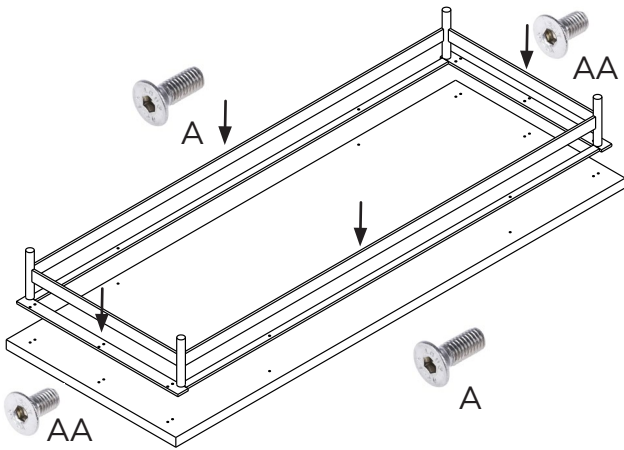


Item **B** x 34
Cam & dowel



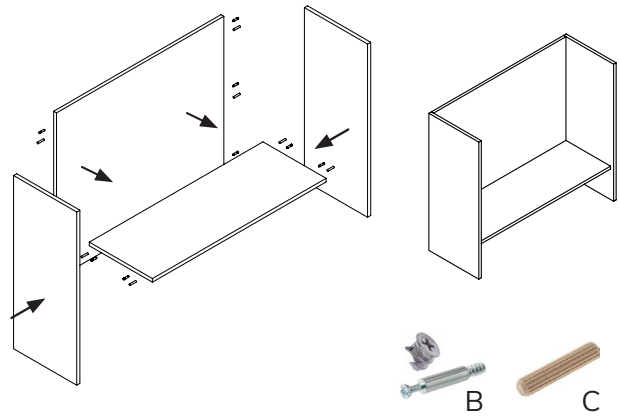
Item **E** x 12
30mm diameter hinge

assembly stage 1



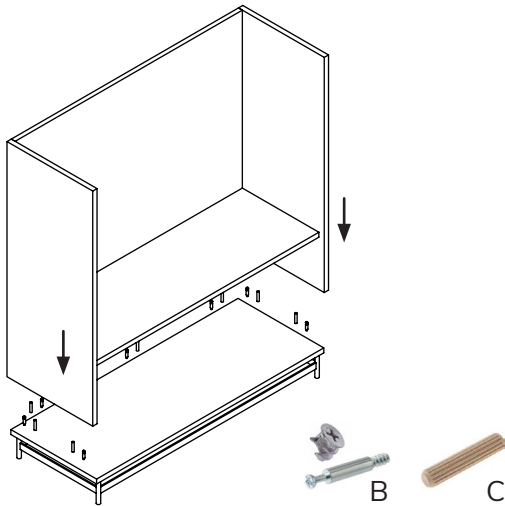
The base panel will have pre-drilled holes with inserted sleeves. Lay the base panel flat with the holes showing. Attach the base frame to the base panel of the wardrobe using bolts **A** (16mm x 4 - along long sides) and **AA** (10mm x 12 - along short sides).

assembly stage 2



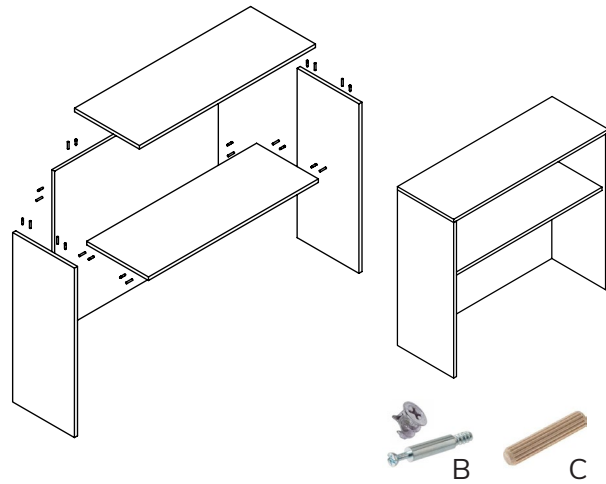
Assemble the bottom half of the wardrobe. This will consist of two sides, a back and a shelf panel. Using the metal cam & dowel fixtures **B** the wooden dowels **C** place into the corresponding holes. Carefully assemble the panels together and then, with the screw driver, turn the metal dowels to tighten.

assembly stage 3



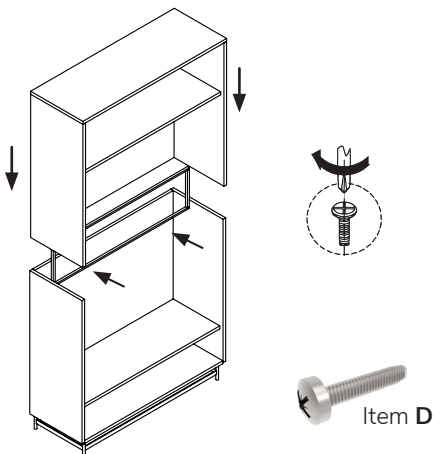
Connect the bottom half of the wardrobe to the assembled base. Position the metal cam & dowel fixtures **B** the wooden dowels **C** in place. Carefully bring the 2 x components together and tighten the metal cams.

assembly stage 4



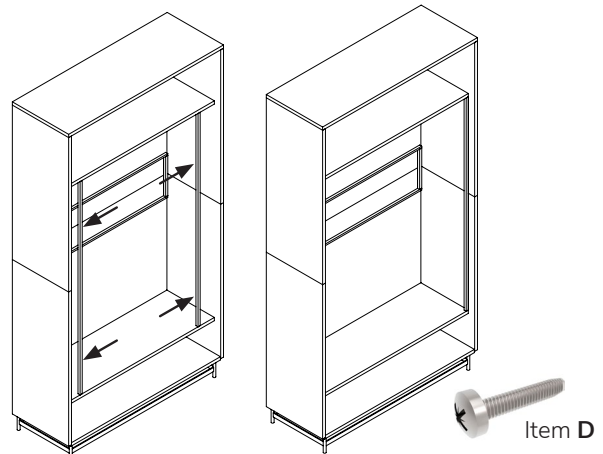
As with stage 3, assemble the top half of the wardrobe carcass using metal cam & dowel fixtures **B** the wooden dowels **C**.

assembly stage 5



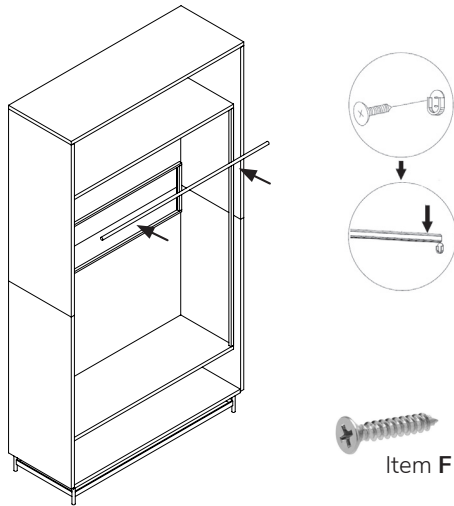
Connect the top half of the wardrobe to the base, this is done by using the support frame included. Fix the rectangle support frame to the base part first, then once that is in place, lift the top half onto the bottom half and fix that in place using the rectangle support.

assembly stage 6



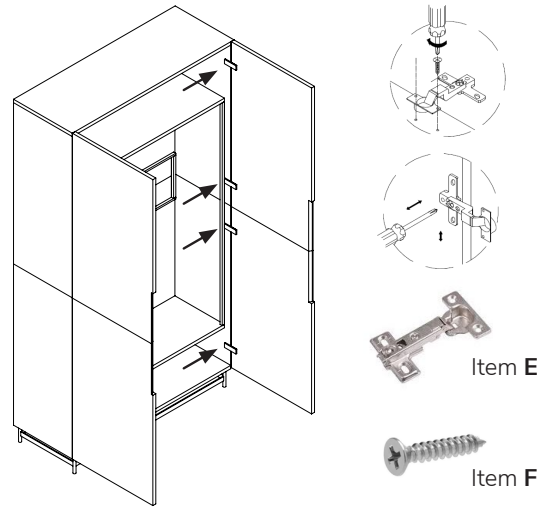
Once the rectangle support frame is in place, fix in the two vertical struts using screw **D**

assembly stage 7



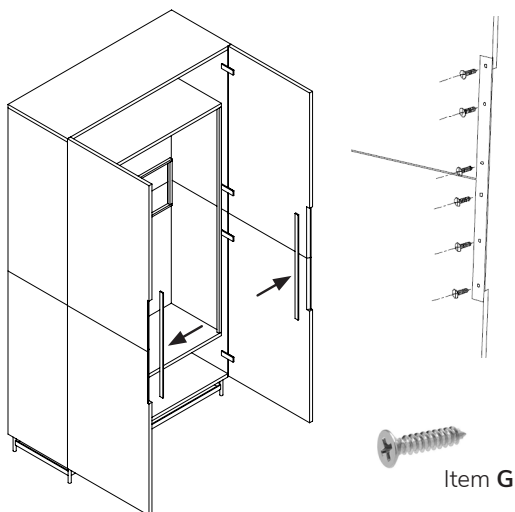
With the full structure built we can fix the hanging rail in place. Using the pilot holes fix the support brackets for the rail using screws **F**.

assembly stage 8

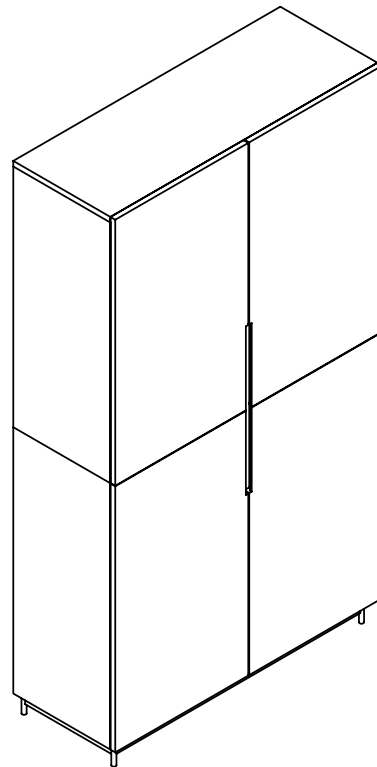


Now attach the doors. We recommend fixing the hinges to the doors first and then attach the door to the unit via the pilot holes provided. Repeat the process until all four doors are fixed.

assembly stage 8



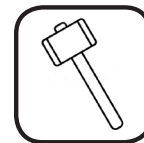
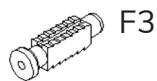
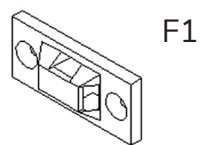
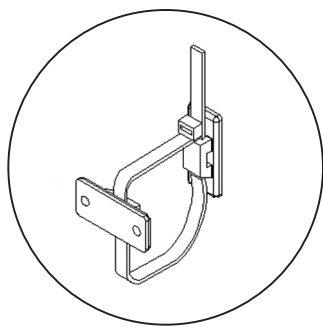
The final stage is to attach the finger plates to the four door panels essentially making them two doors. Use item G to fix these in place.



GILLMORE
BRITISH DESIGN
sales@gillmore.co.uk
www.gillmore.co.uk

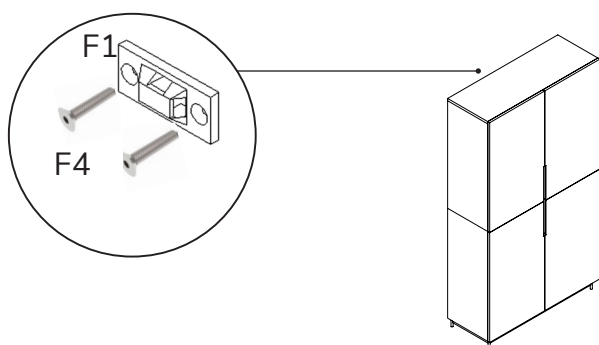
wall fixing

It is strongly recommended that you use the fixing strap provided to secure the furniture item to the wall to avoid accidental tipping on uneven floors or from improper use.



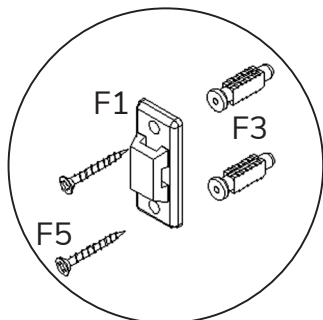
1.

- Attach 1 x bracket A to the top rear of the furniture frame



2.

- Make a mark on the wall approximately 2.5cm below bracket **F1** that is installed on the furniture.
- Attach the second bracket **F1** to the wall on this mark so it lines up vertically with the bracket on the furniture.
- To fix the bracket to the wall first drill 2 x 5mm holes into the wall at the mark using the bracket as a template for the hole position.
- Insert the plastic plugs **F3** into the holes in the wall and tap lightly with a hammer until they are seated flush.
- Attach the bracket A to the plastic plugs with long screws **F5**.



3.

- Move the furniture into position and line up the bracket **F1** on the furniture with the bracket **F1** on the wall.
- Thread strap **F2** through the brackets as shown.
- Pull strap to secure but do not over-tighten

