

Alberto

Four Door Sideboard

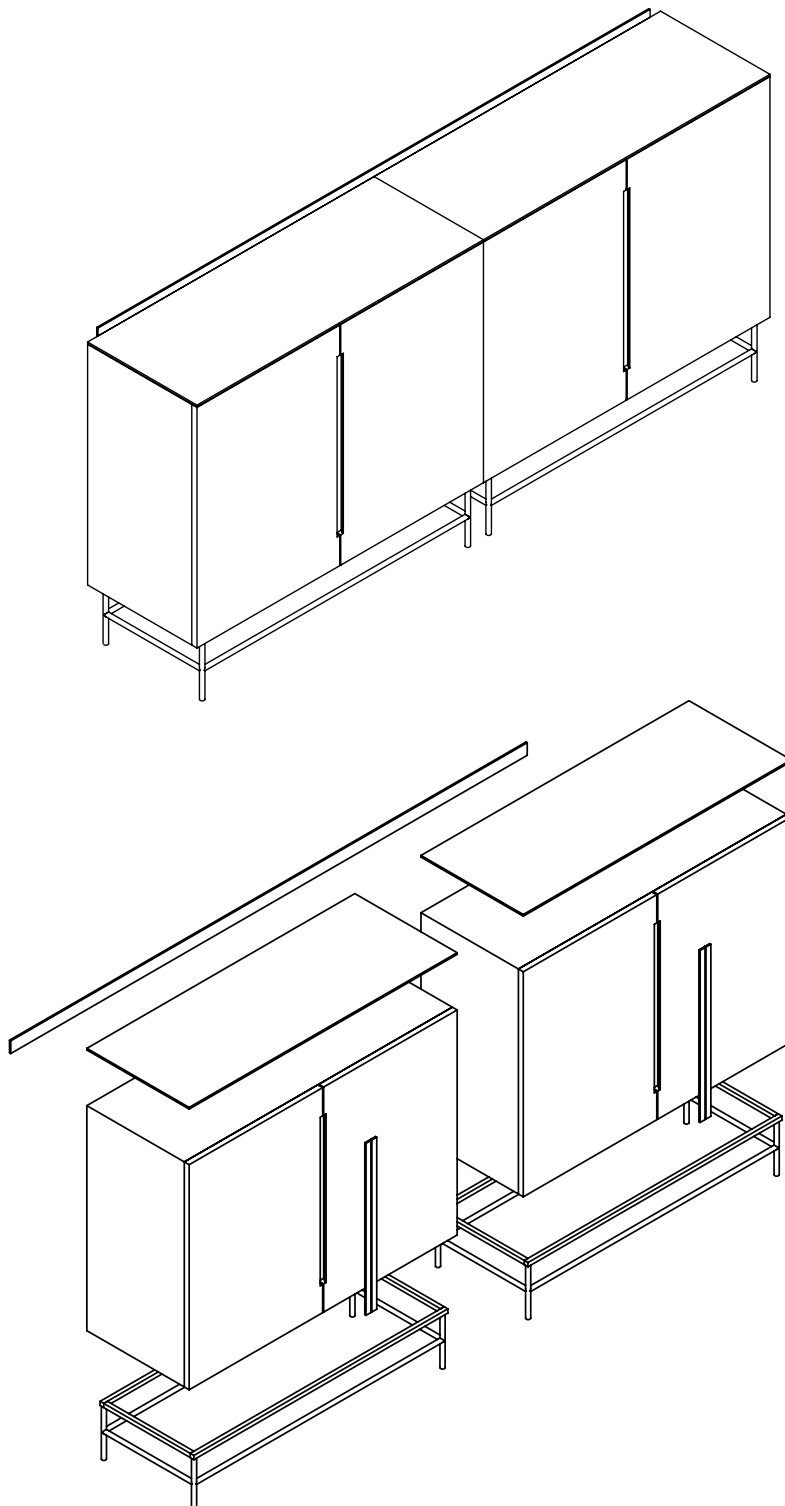


Master Codes: 119-212, 119-213 119-214, 119-215

W2200 H1030 D423

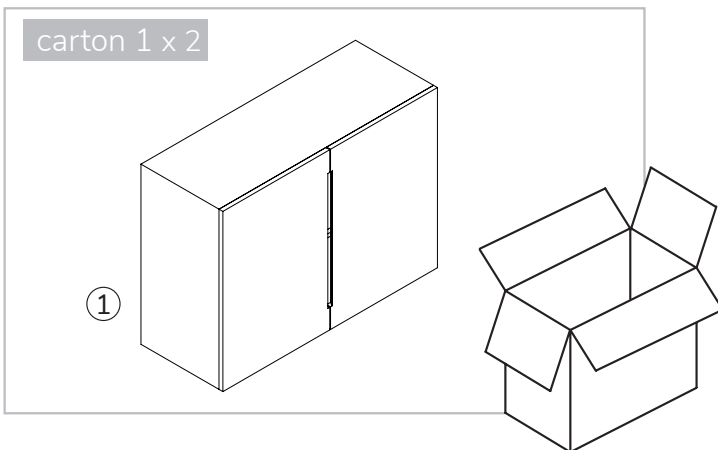


30-60 mins

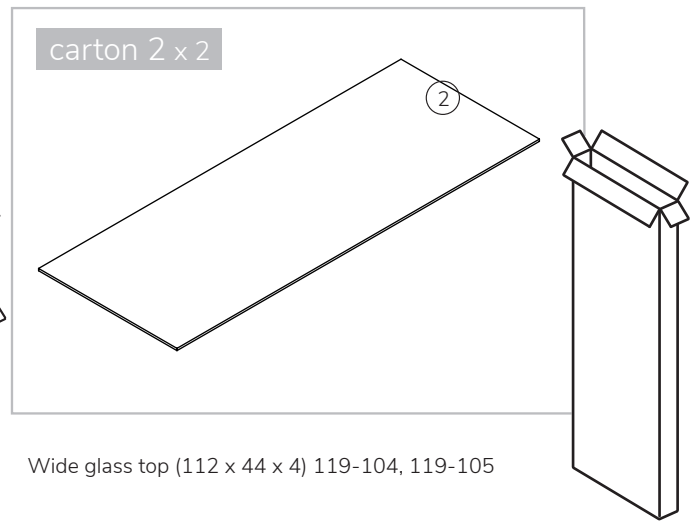


items

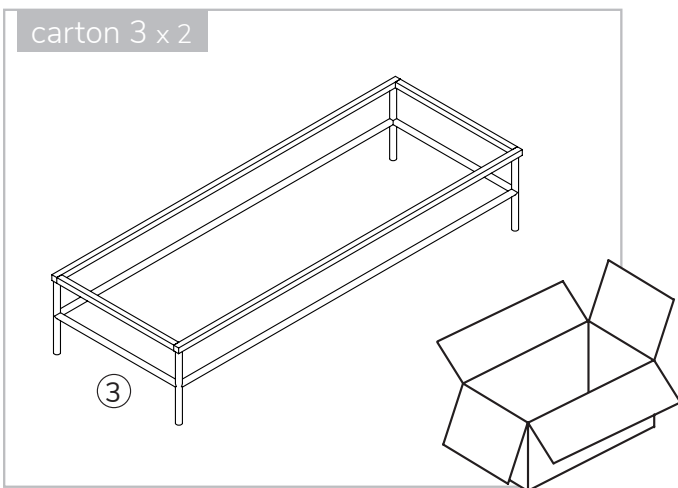
total cartons = 9



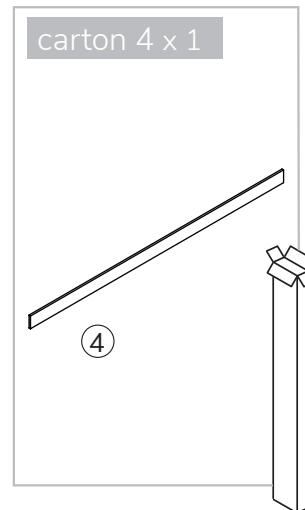
2 x Wide two door carcass (117 x 50 x 87)
119-102, 119-103



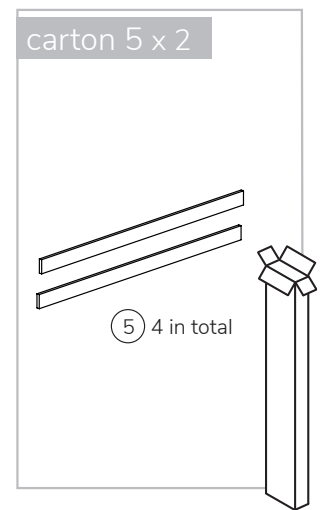
Wide glass top (112 x 44 x 4) 119-104, 119-105



Wide Base (108 x 40 x 23) 119-114, 119-115



Double width Back plate
(196 x 6 x 5) 119-120, 119-121



2 x Large Finger Plate (set of 2)
(69 x 5 x 0.5) 119-122, 119-123

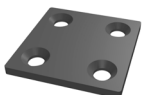
hardware



Item **A** = M4 x16 (Self Tapping) x 56
x32 in Carton 3
x12 in Carton 4
x12 in Cartons 5

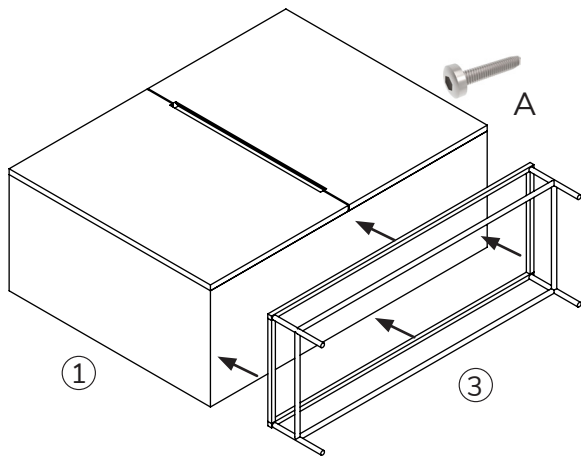


Item **B** = Silicon Suckers x 12 - carton 2



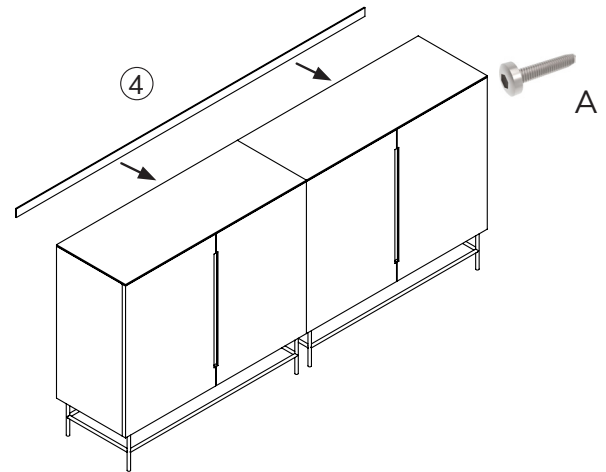
Item **C** = Optional 6x Square Brackets with 24 x self tappers in Carton 1 (x2)

assembly stage 1 x 2



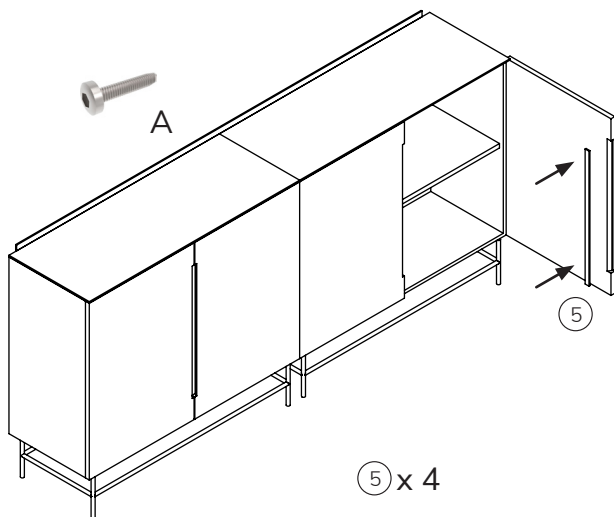
Attach the Wide Bases (Cartons 3) to the **2 x two-door carcasses** (Cartons 1). Place the carcass on its back and fix using the self tapping screws 'A'. There are pilot holes to align the base. Once the bases has been secured (**with minimum 2 x people**) you will need to lift the sideboard off its back and onto the base. **DO NOT PIVOT ON ONE BASE LEG.**

assembly stage 2



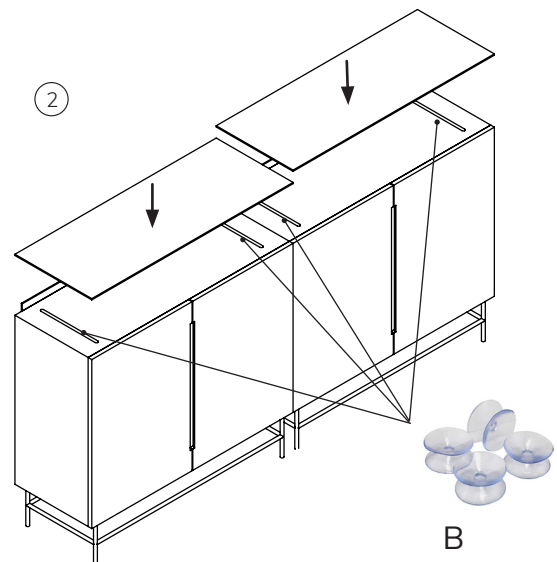
Fix the double back plate (Carton 4). Firstly, push the two sideboards together so that they are aligned. With a screwdriver fix the backplate by aligning with the pilot holes and using the 12 x self tapping screws 'A'. (At this stage, optional connecting brackets 'C' can be attached to the rear of the carcasses).

assembly stage 3

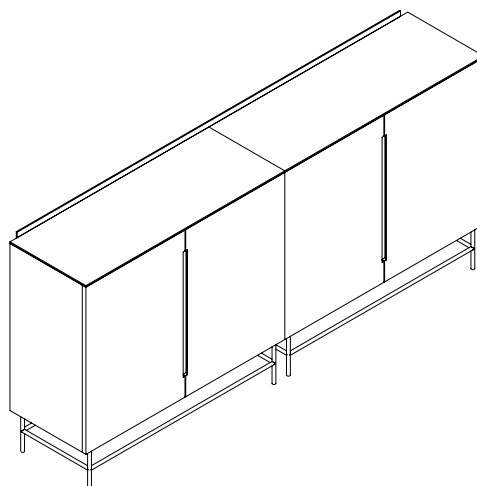


Attach the finger plates to the rear of all four doors using the x 12 self tappers provided.

assembly stage 4



Position the silicone suckers in the grooves on top of the carcass and then rest the glass top in place.

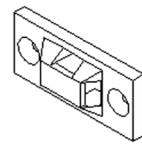
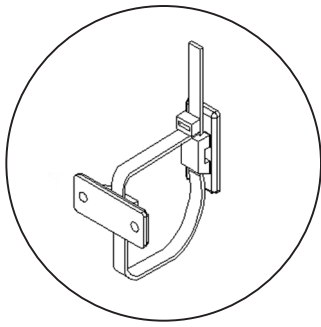


GILLMORE
BRITISH DESIGN

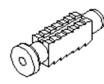
sales@gillmore.co.uk
www.gillmore.co.uk

wall fixing

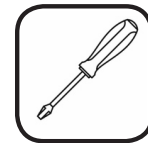
It is strongly recommended that you use the fixing strap provided to secure the furniture item to the wall to avoid accidental tipping on uneven floors or from improper use.



F1



F3



F4

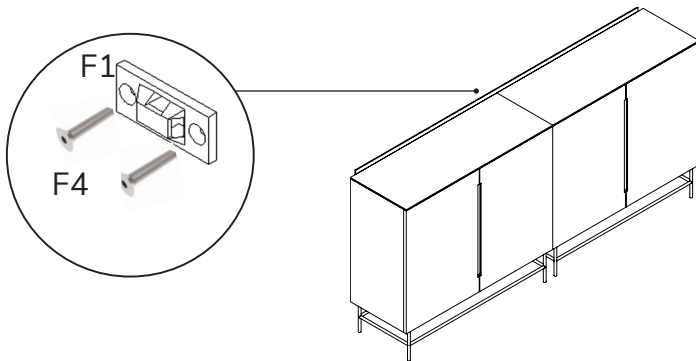


F5



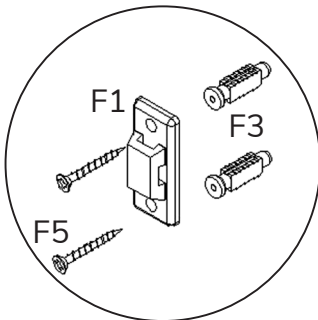
1.

- Attach 1 x bracket A to the top rear of the furniture frame



2.

- Make a mark on the wall approximately 2.5cm below bracket **F1** that is installed on the furniture.
- Attach the second bracket **F1** to the wall on this mark so it lines up vertically with the bracket on the furniture.
- To fix the bracket to the wall first drill 2 x 5mm holes into the wall at the mark using the bracket as a template for the hole position.
- Insert the plastic plugs **F3** into the holes in the wall and tap lightly with a hammer until they are seated flush.
- Attach the bracket A to the plastic plugs with long screws **F5**.



3.

- Move the furniture into position and line up the bracket F1 on the furniture with the bracket F1 on the wall.
- Thread strap F2 through the brackets as shown.
- Pull strap to secure but do not over-tighten

