

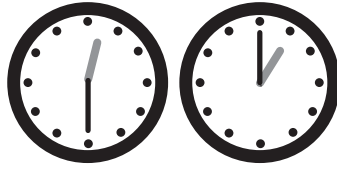
Alberto

Six Drawer Chest

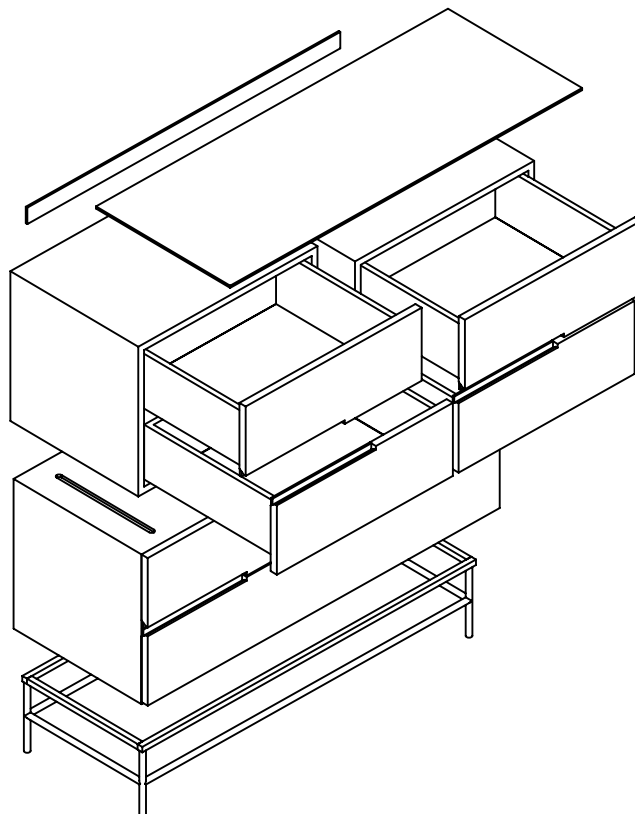
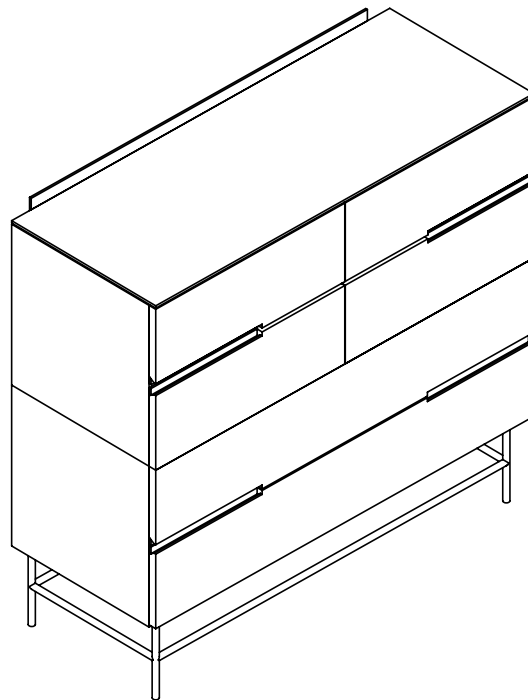


Master Codes: 119-224, 119-225, 119-226, 119-227

W1100 H1030 D423

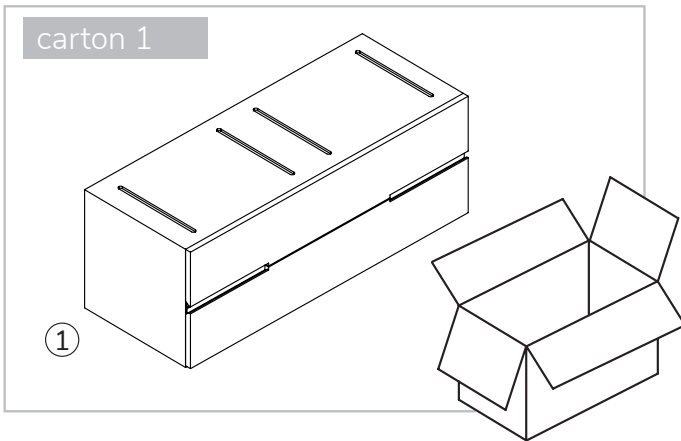


30-60 mins

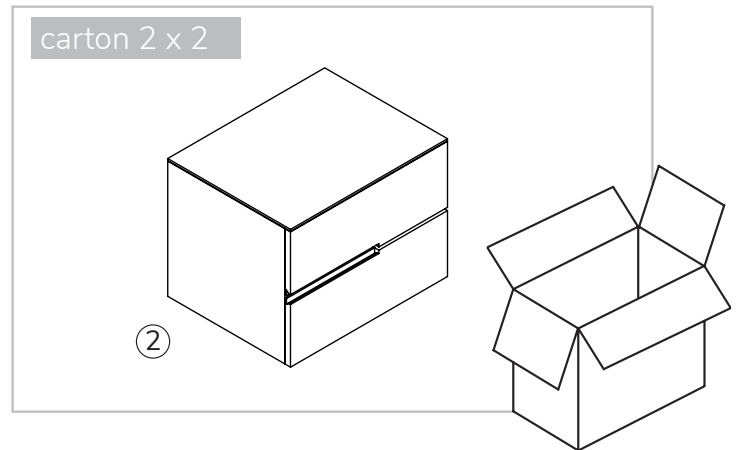


items

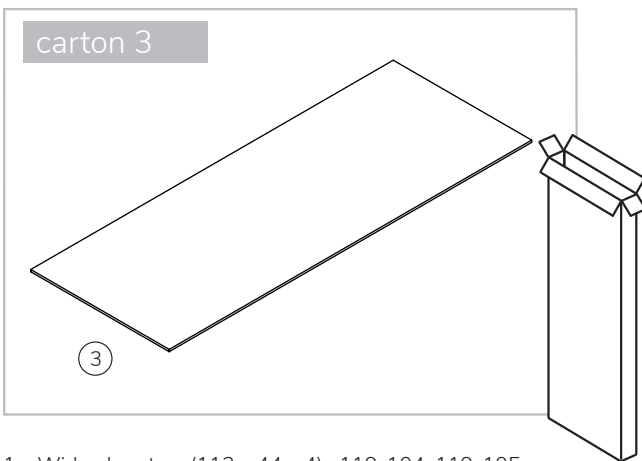
total cartons = 10



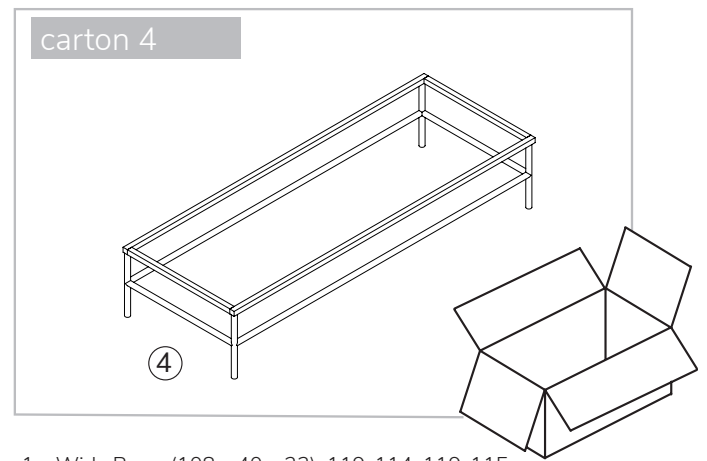
1 x Wide two drawer carcass (117 x 50 x 47)
119-100, 119-101



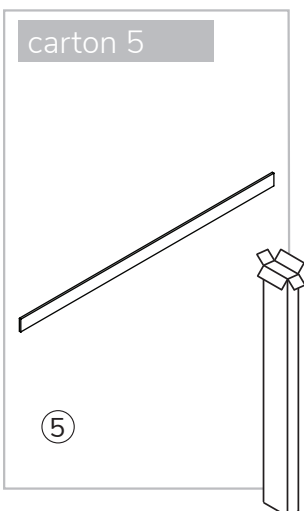
2 x Narrow two drawer carcass Square box (60 x 47 x 45)
119-106, 119-107



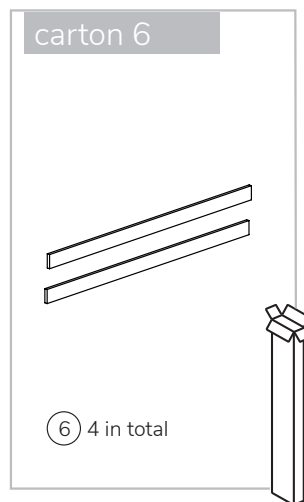
1 x Wide glass top (112 x 44 x 4) 119-104, 119-105



1 x Wide Base (108 x 40 x 23) 119-114, 119-115



1 x Wide Back plate (103 x 6 x 5)
119-116, 119-117



4 x Small Finger Plate (set of 2)
(35 x 5 x 5) 119-122, 119-123

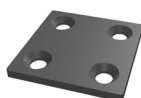
hardware



Item **A** = M4 x16 (Self Tapping) x 56
 x16 in Carton 4
 x6 in Carton 5
 x24 in Cartons 6

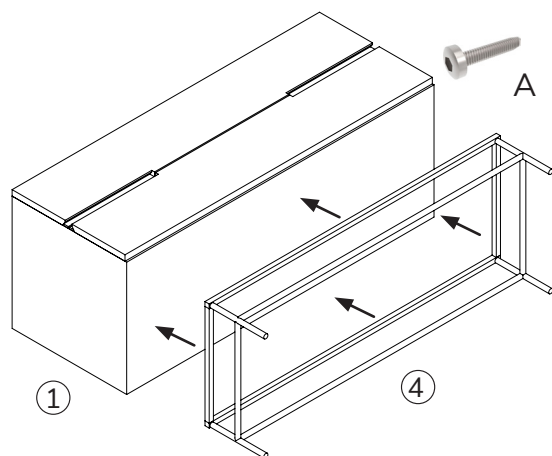


Item **B** = Silicon Suckers x 12 - carton 3



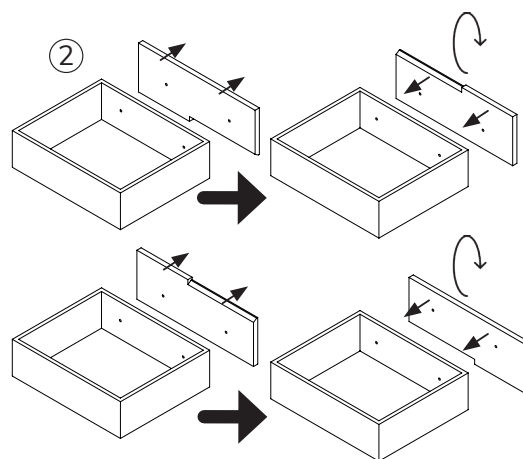
Item **C** = Optional 9x Square Brackets with 24 x self tappers in Carton 1 & 2

assembly stage 1



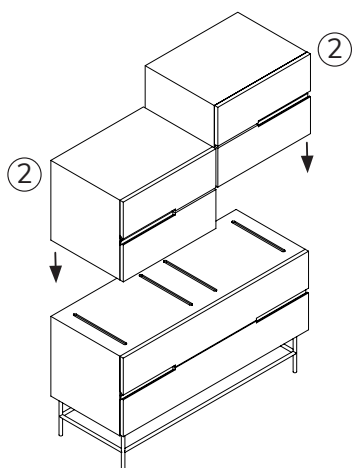
Attach the Wide Bases (Cartons 4) to the **2 x drawer carcasses** (Cartons 1). Place the carcass on its back and fix using the self tapping screws 'A'. There are pilot holes to align the base. Once the bases has been secured (**with minimum 2 x people**) you will need to lift the sideboard off its back and onto the base. **BE CAREFUL NOT TO PIVOT ON ONE BASE LEG.**

assembly stage 2



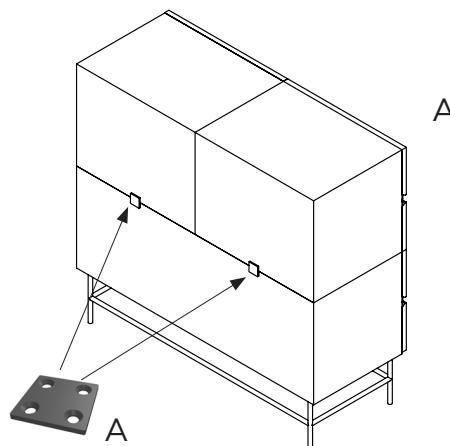
Remove, rotate and replace 2 x drawer fronts from one of the two drawer carcasses (2) providing a left and right hand carcass. Achieve this by removing the stickers on the inside of the drawer and then undoing the large screws holding the fronts on using a screw driver. Rotate the drawer front and replace.

assembly stage 3



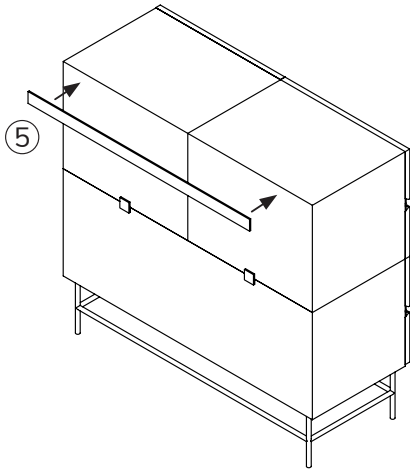
Once the drawer fronts have been swapped the next step is to put the 2 x two drawer carcasses (Cartons 2) on top of the wide carcass aligning the rails into the grooves.

assembly stage 4



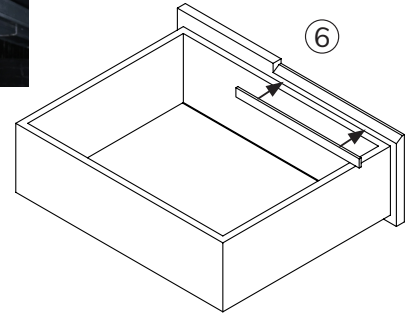
With the top drawer units in place, secure at the back with brackets 'A' and self tapping screws.

assembly stage 5



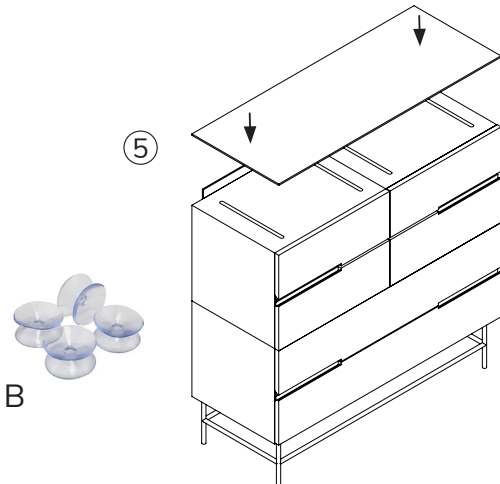
Fix the back plate (Carton 4) to the top carcass. With a screwdriver fix the backplate using the x 6 self tappers and aligned pilot holes.

assembly stage 6

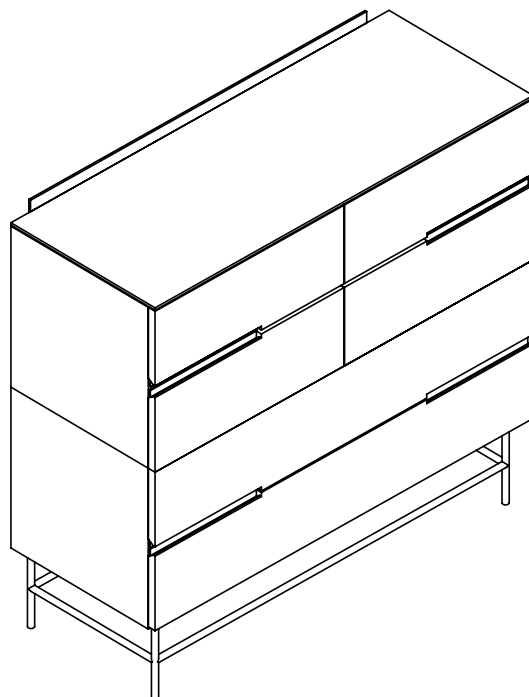


Attach the finger plates using the x24 self tappers provided. It may be easier to remove the top drawers (not essential) and this can be done by releasing the drawer from the runners - see photo above.

assembly stage 7



The final stage of the assembly is to place the glass top on. Position the silicone suckers 'B' into the grooves on top of the carcasses and then rest the glass top in place.

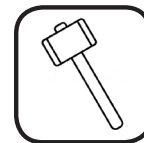
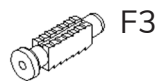
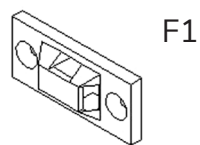
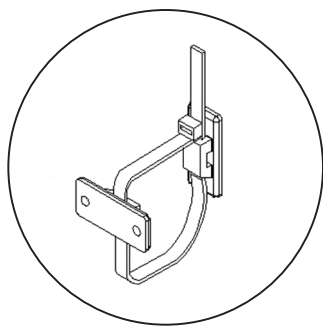


GILLMORE
BRITISH DESIGN

sales@gillmore.co.uk
www.gillmore.co.uk

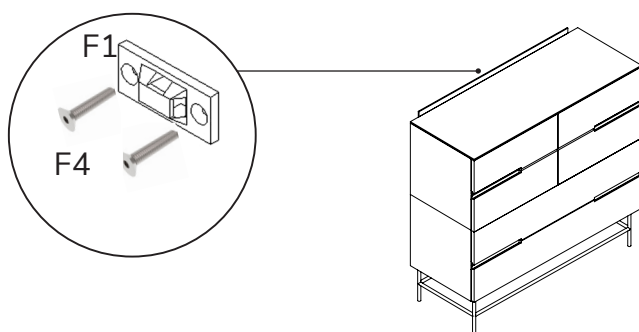
wall fixing

It is strongly recommended that you use the fixing strap provided to secure the furniture item to the wall to avoid accidental tipping on uneven floors or from improper use.



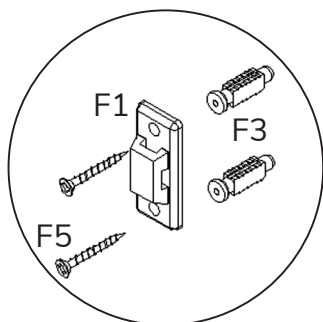
1.

- Attach 1 x bracket A to the top rear of the furniture frame



2.

- Make a mark on the wall approximately 2.5cm below bracket **F1** that is installed on the furniture.
- Attach the second bracket **F1** to the wall on this mark so it lines up vertically with the bracket on the furniture.
- To fix the bracket to the wall first drill 2 x 5mm holes into the wall at the mark using the bracket as a template for the hole position.
- Insert the plastic plugs **F3** into the holes in the wall and tap lightly with a hammer until they are seated flush.
- Attach the bracket A to the plastic plugs with long screws **F5**.



3.

- Move the furniture into position and line up the bracket **F1** on the furniture with the bracket **F1** on the wall.
- Thread strap **F2** through the brackets as shown.
- Pull strap to secure but do not over-tighten

