

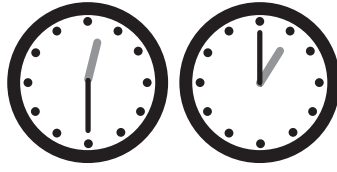
Alberto

Door and Drawer Combination Sideboard

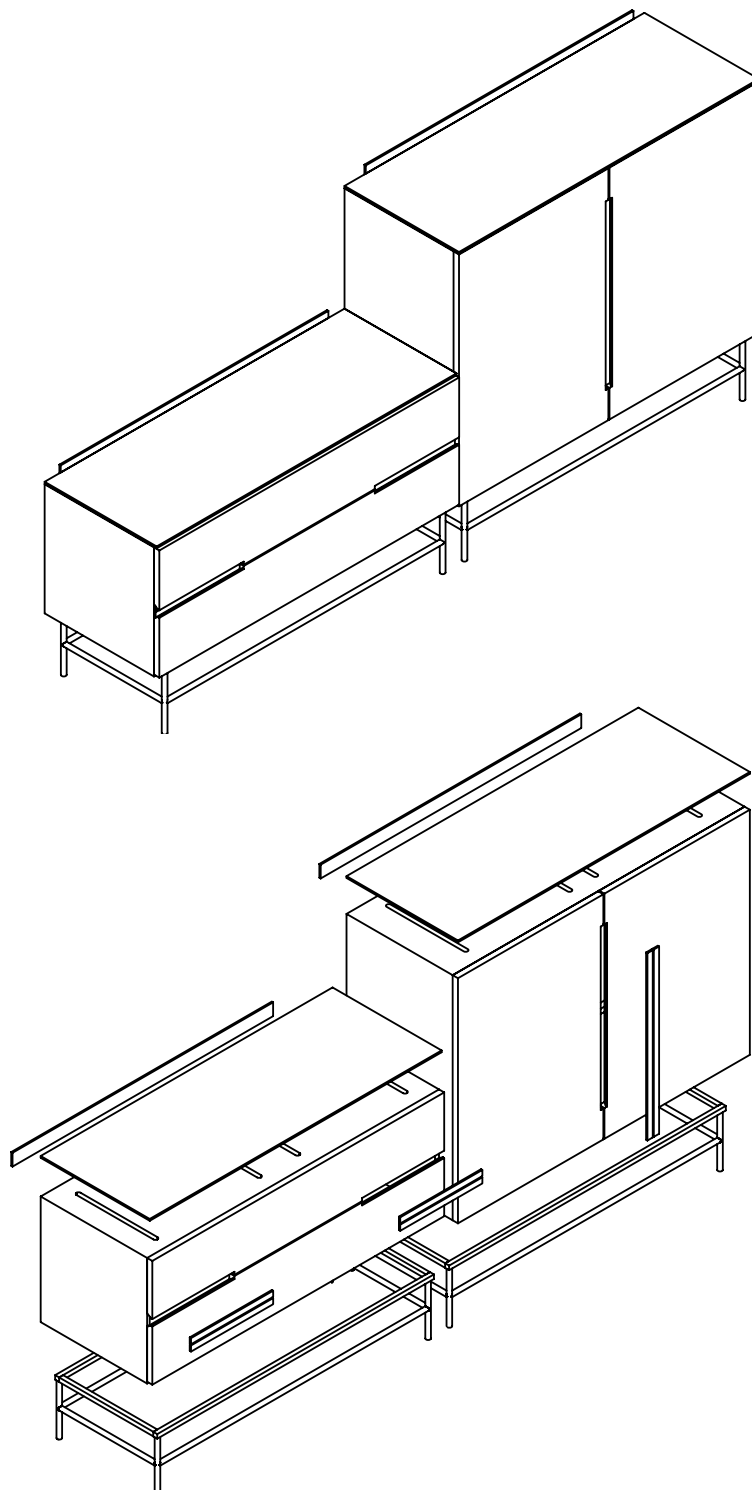


Master Codes: 119-216, 119-217, 119-218, 119-219

W2200 H1030 D423

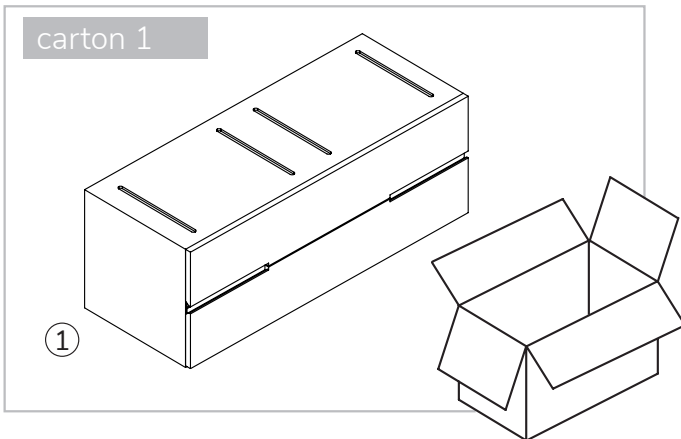


30-60 mins

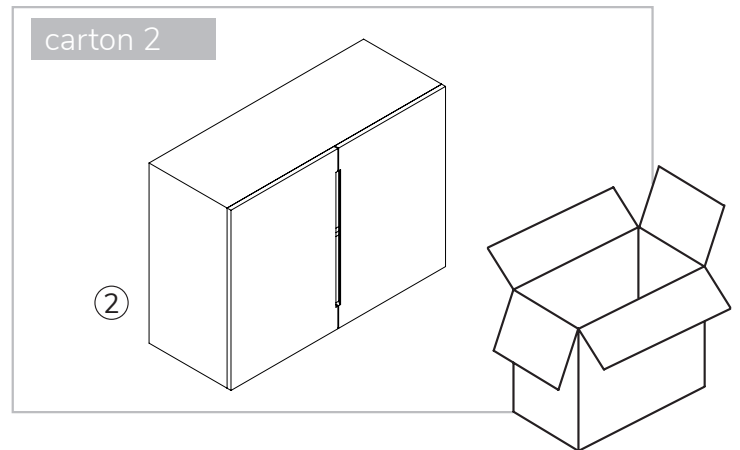


items

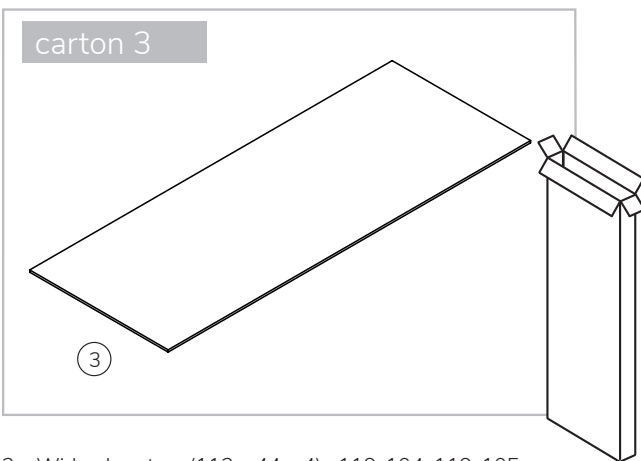
total cartons = 11



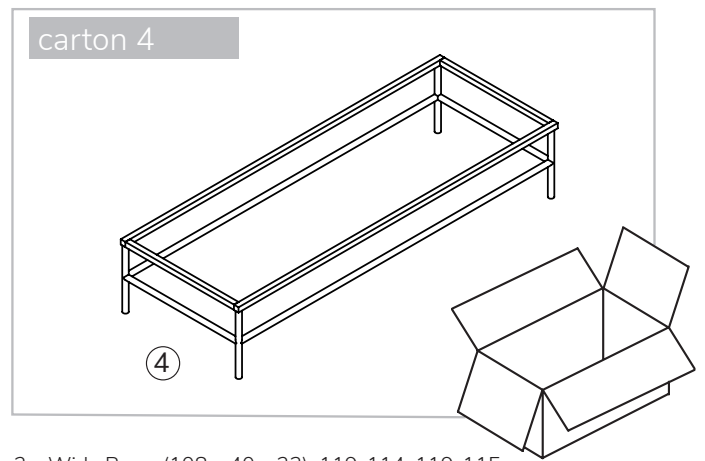
1 x Wide two drawer carcass (117 x 50 x 47)
119-100, 119-101



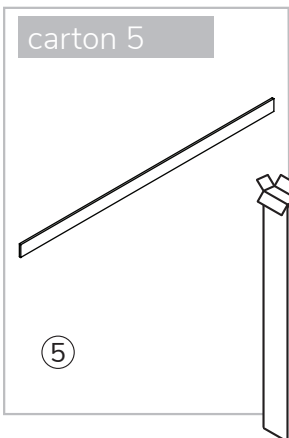
1 x Wide two door carcass (117 x 50 x 87)
119-102, 119-103



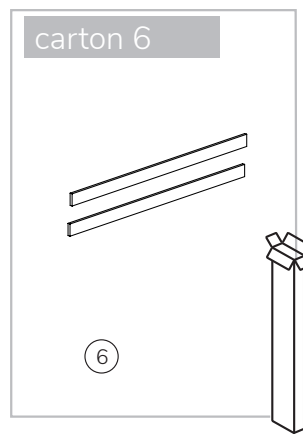
2 x Wide glass top (112 x 44 x 4) 119-104, 119-105



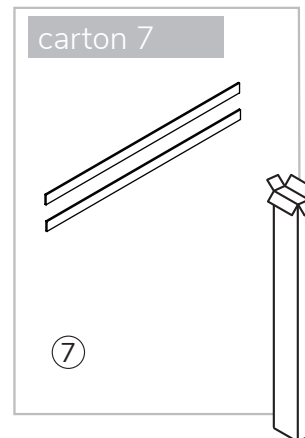
2 x Wide Base (108 x 40 x 23) 119-114, 119-115



2 x Wide Back plate (103 x 6 x 5)
119-116, 119-117



1 x Small Finger Plate (set of 2)
(35 x 5 x 5) 119-122, 119-123



1 x Large Finger Plate (set of 2)
(69 x 5 x 5) 119-124, 119-125

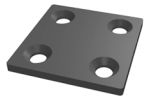
hardware



Item **A** = M4 x16 (Self Tapping) x 46
x 32 in Carton 4
x 12 in Carton 5
x 12 in Carton 6
x 6 in Carton 7

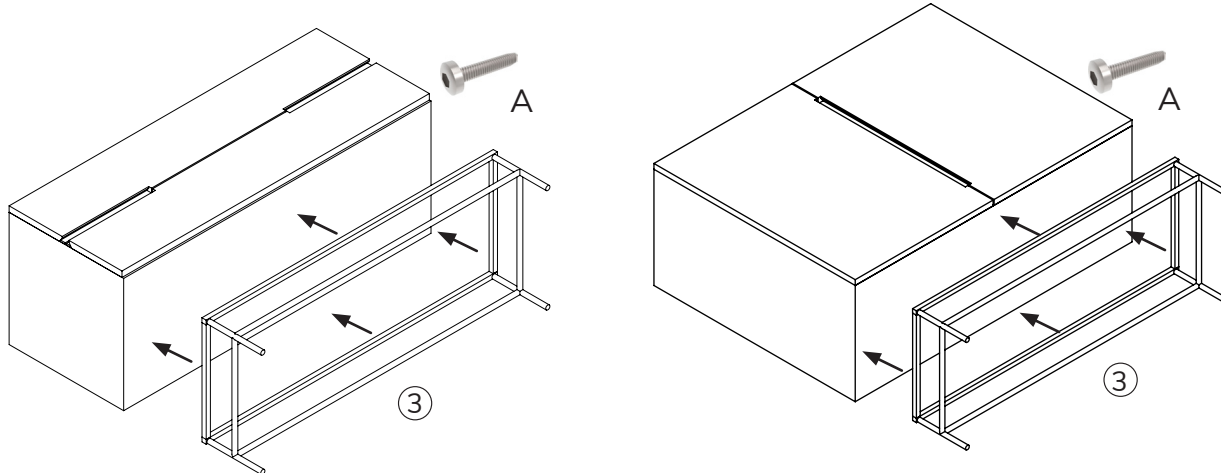


Item **B** = Silicon Suckers x 12 - carton 3



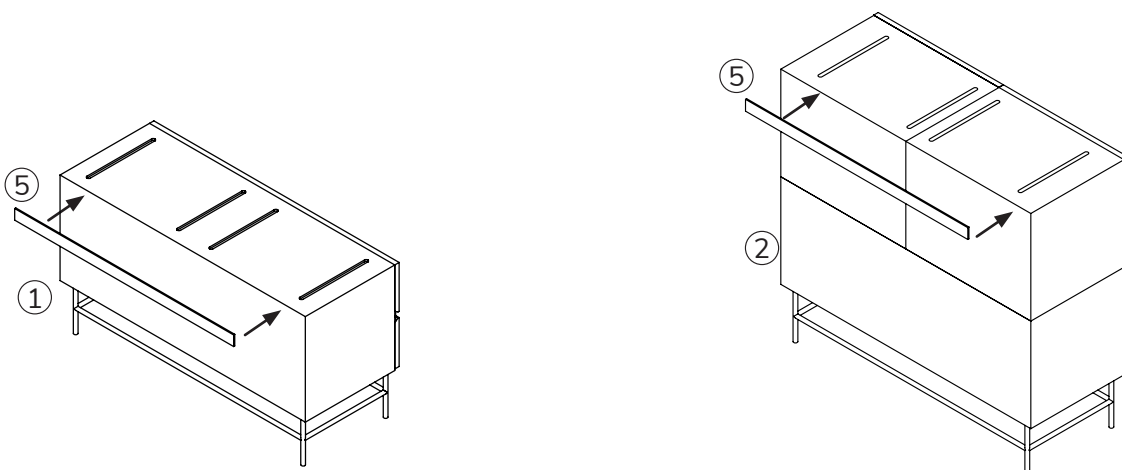
Item **C** = Optional 6 x Square Brackets with 24 x self tappers in Cartons 1 & 2

assembly stage 1



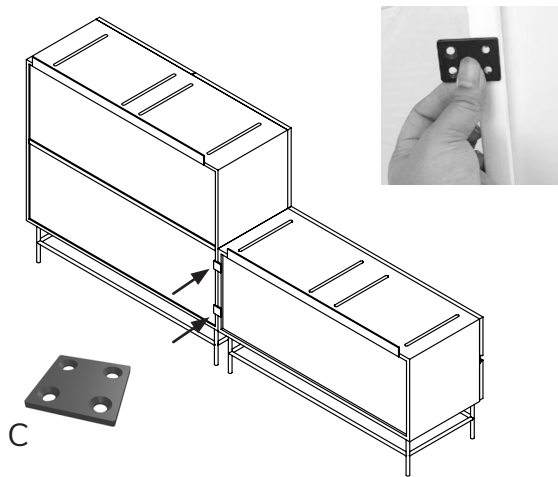
Attach the Wide Bases (Cartons 4) to the **drawer & door carcasses** (Cartons 1 & 2). Place the carcasses on their backs and fix using the self tapping screws 'A'. There are pilot holes to align the bases. Once the bases has been secured (**with minimum 2 x people**) you will need to lift them off their backs and into an upright position. **BE CAREFUL NOT TO REST / PIVOT ON ONE BASE LEG.**

assembly stage 2



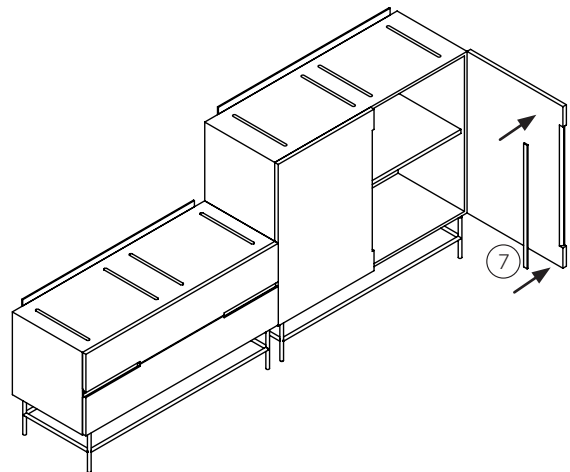
Fix the 2 x back plates to the rear of each carcass a screwdriver and the 12 x self tapping screws and align to the pilot holes.

assembly stage 3



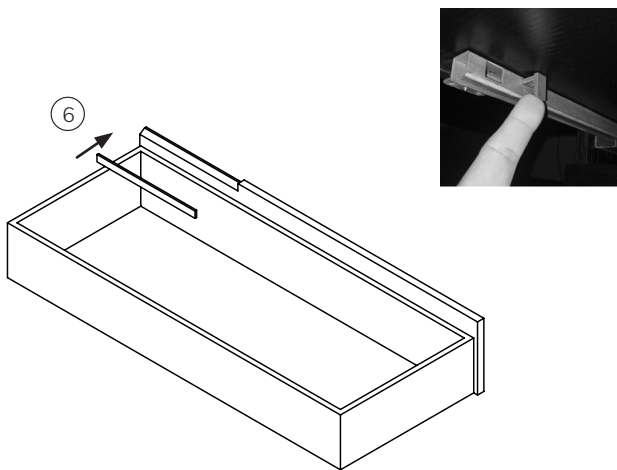
Using a screwdriver and self tapping screws, position the connecting plates 'C' to the rear of the carcasses (see image above) to join the two items. (Optional)

assembly stage 4



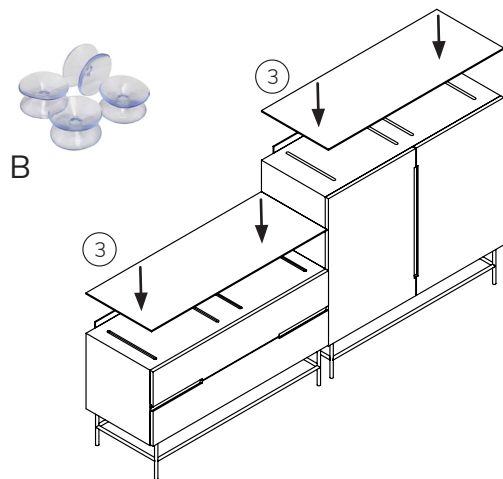
Fix the long finger plates '7' to the inside edge of the 2 x doors using the self tapping screws.

assembly stage 5

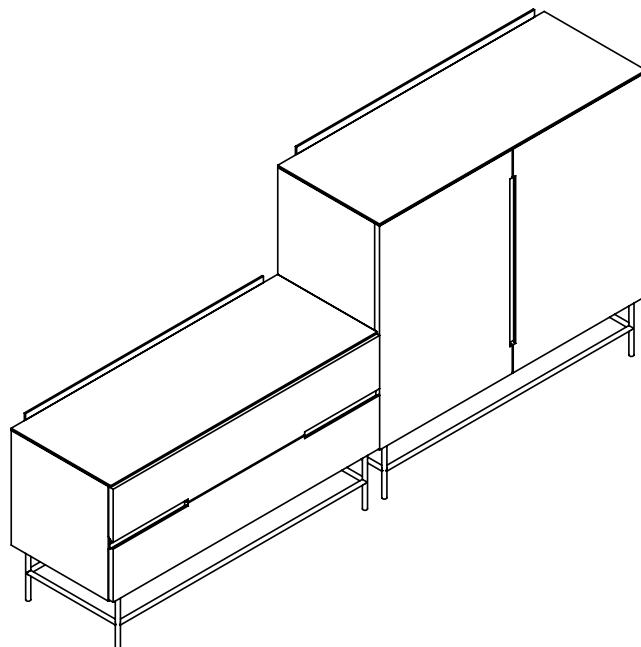


Attach the 4 x small finger plates '6' using the self tapping screws provided. It may be easier to remove the top drawers (not essential) and this can be done by releasing the drawer from the runners - see photo above.

assembly stage 5



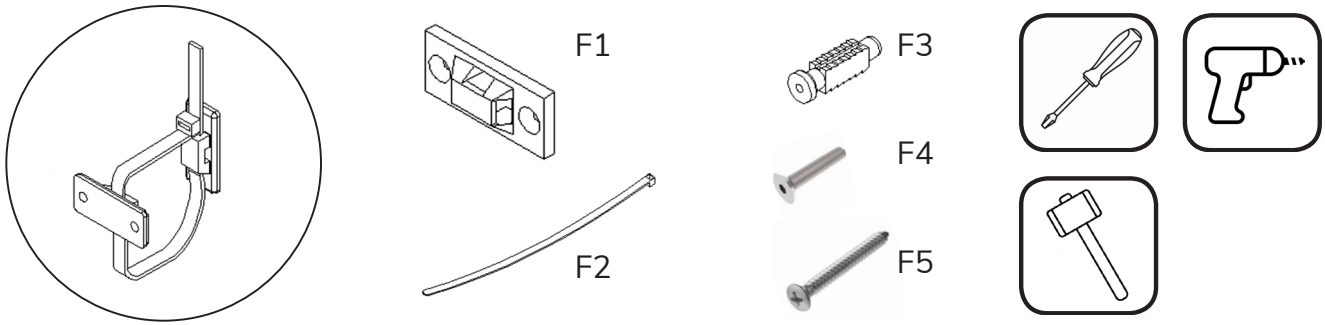
The final stage of the assembly is to place and position the glass tops. Place the silicone suckers 'B' into the grooves on top of the carcasses and then rest the glass tops '3' in place.



GILLMORE
BRITISH DESIGN
sales@gillmore.co.uk
www.gillmore.co.uk

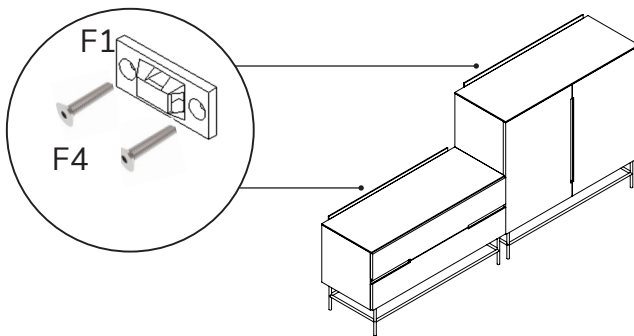
wall fixing

It is strongly recommended that you use the fixing strap provided to secure the furniture item to the wall to avoid accidental tipping on uneven floors or from improper use.



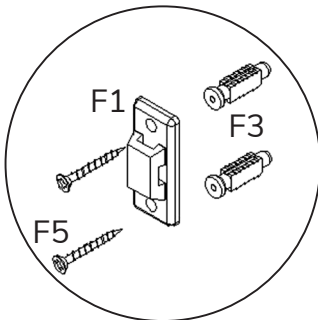
1.

- Attach 1 x bracket A to the top rear of the furniture frame



2.

- Make a mark on the wall approximately 2.5cm below bracket **F1** that is installed on the furniture.
- Attach the second bracket **F1** to the wall on this mark so it lines up vertically with the bracket on the furniture.
- To fix the bracket to the wall first drill 2 x 5mm holes into the wall at the mark using the bracket as a template for the hole position.
- Insert the plastic plugs **F3** into the holes in the wall and tap lightly with a hammer until they are seated flush.
- Attach the bracket A to the plastic plugs with long screws **F5**.



3.

- Move the furniture into position and line up the bracket F1 on the furniture with the bracket F1 on the wall.
- Thread strap F2 through the brackets as shown.
- Pull strap to secure but do not over-tighten

