

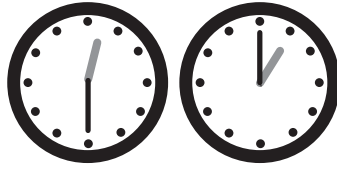
Alberto

Narrow Two Drawer Chest

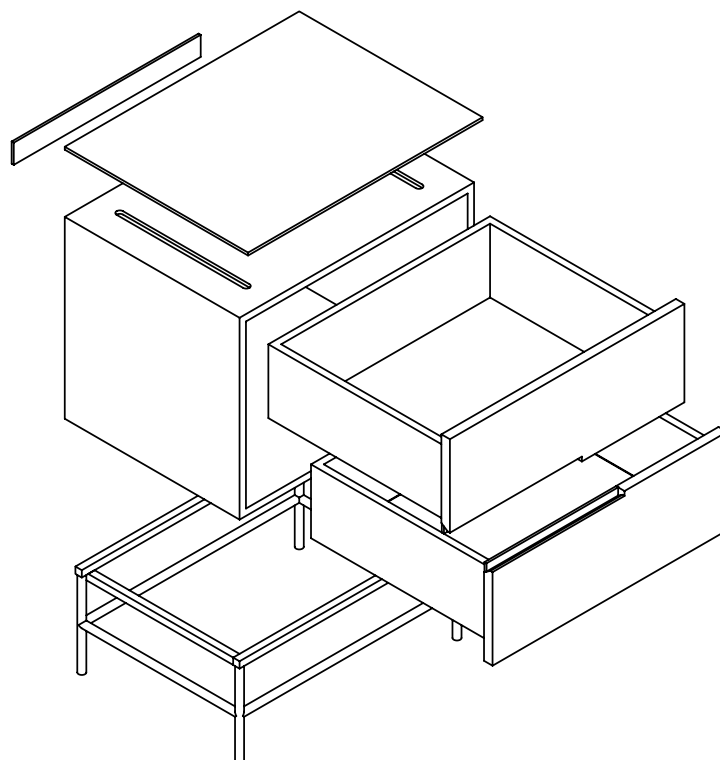
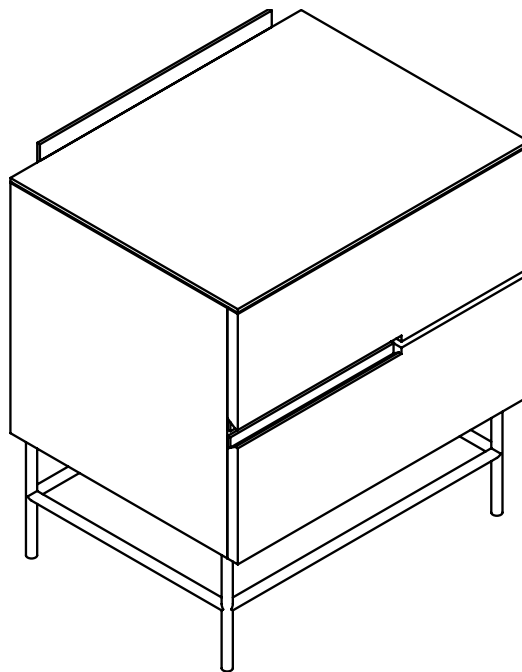


Model numbers 119-228, 119-229, 119-230, 119-231

W550 H630 D423

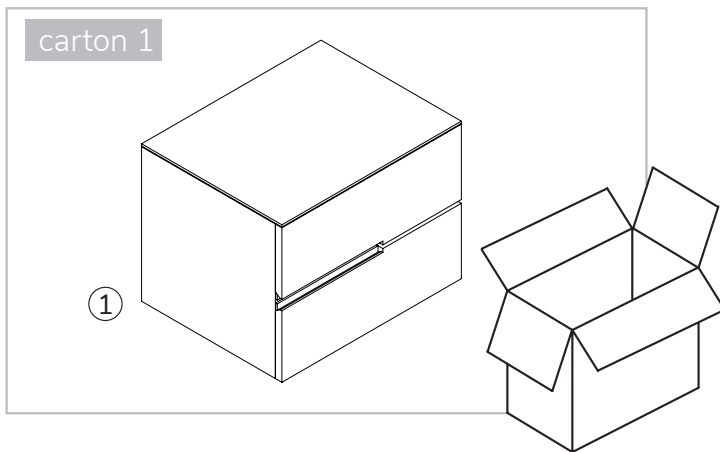


30-60 mins

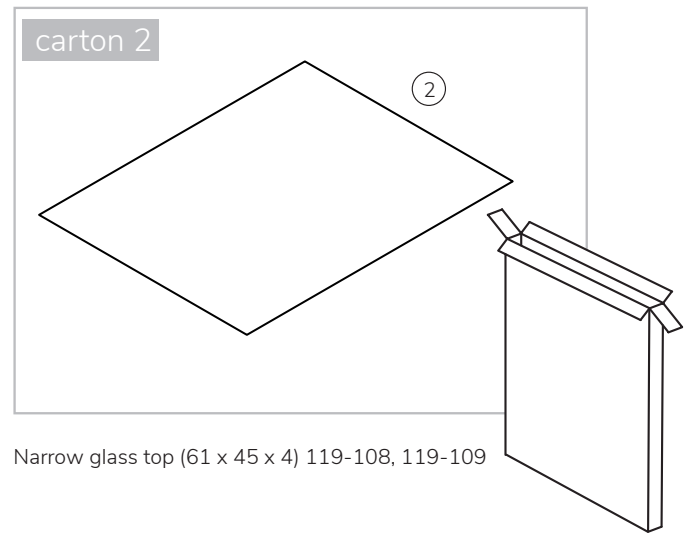


items

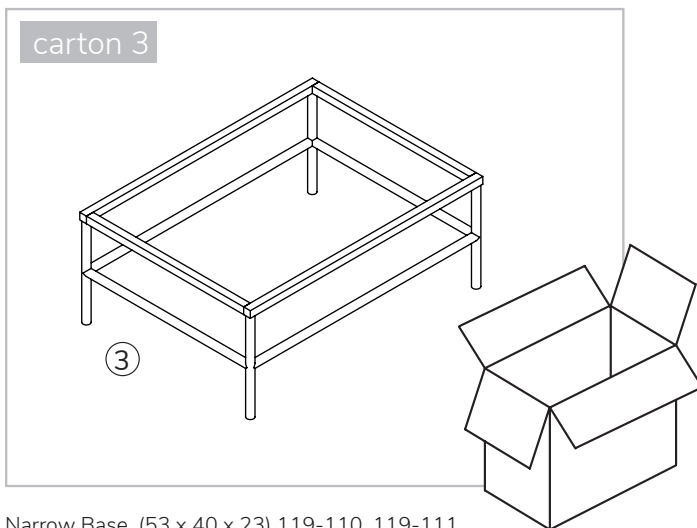
total cartons = 5



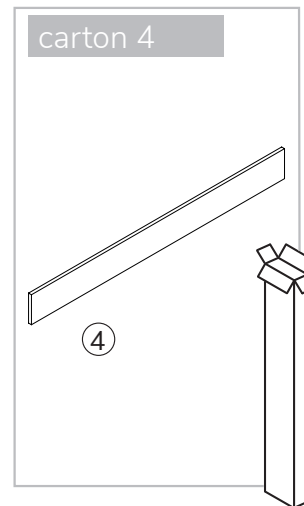
Narrow Drawer Carcass (60 x 47 x 45) 119-106/119-107



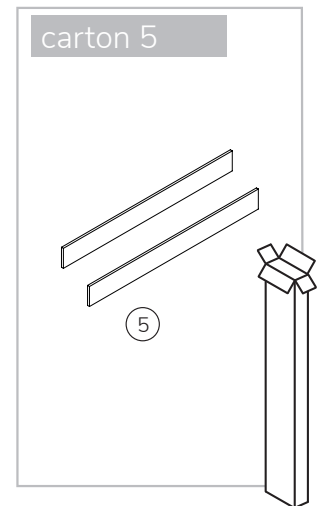
Narrow glass top (61 x 45 x 4) 119-108, 119-109



Narrow Base (53 x 40 x 23) 119-110, 119-111



Narrow Back plate (48 x 6 x 5)
119-112, 119-113



Small Finger Plate (set of 2)
(35 x 5 x 5) 119-122, 119-123

hardware

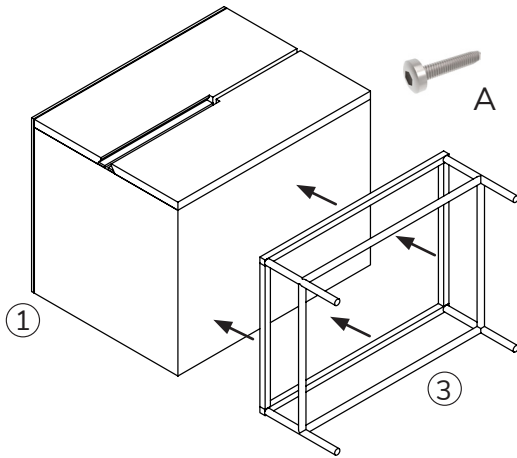


Item **A** = M4 *16 (Self Tapping) x 21
x12 in Carton 3
x3 in Carton 4
x6 in Cartons 5



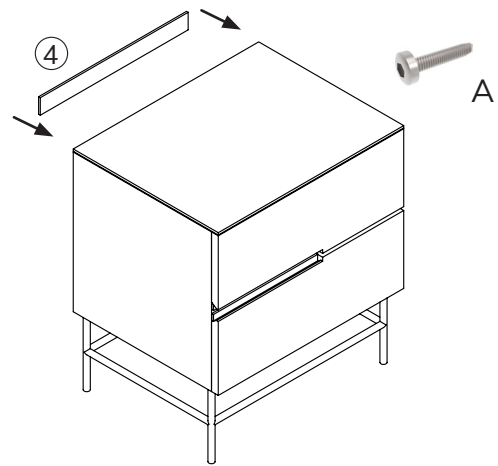
Item **B** = Silicon Suckers x 6 - carton 2

assembly stage 1



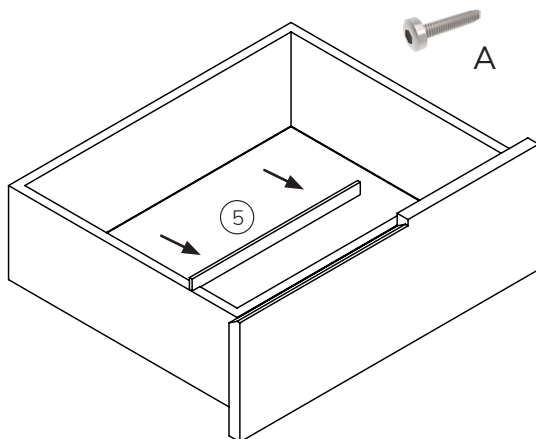
Attach the Narrow Base (Carton 3) to the Two Drawer Carcass (Carton 1). Place the carcass on its back and fix using the self tapping screws 'A'. There are pilot holes to align the base. Once the bases has been secured you will need to lift the sideboard off its back and onto the base. **DO NOT PIVOT ON ONE BASE LEG.**

assembly stage 2



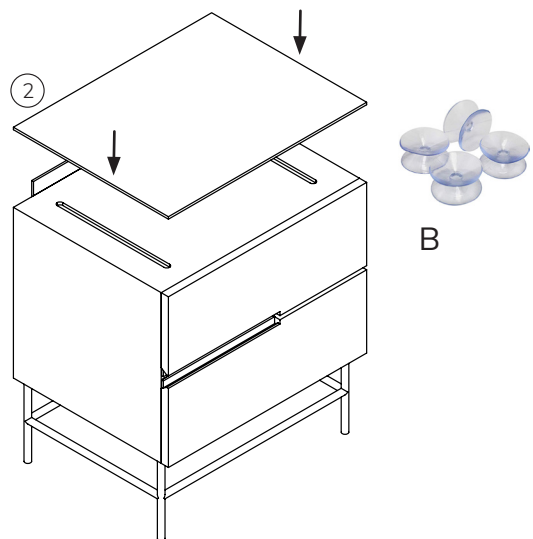
Fix the back plate (Carton 4). With a screwdriver fix the backplate by aligning with the pilot holes and using the x 3 self tapping screws 'A'.

assembly stage 3

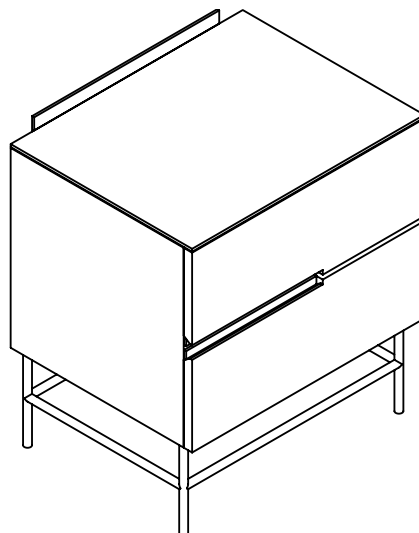


Attach the 2 x finger plates using the x 6 self tapping screws 'A'. It will be easier to remove the top drawer, This can be done by pulling out the small tabs on the runners beneath the drawer.

assembly stage 4



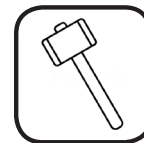
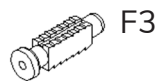
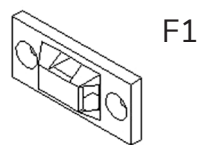
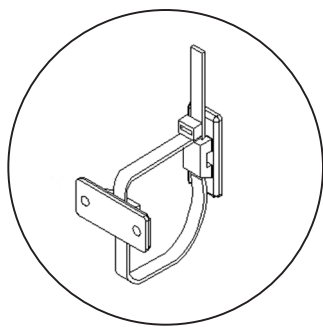
Position the silicone suckers in the grooves on top of the carcass and then rest the glass top in place.



GILLMORE
BRITISH DESIGN
sales@gillmore.co.uk
www.gillmore.co.uk

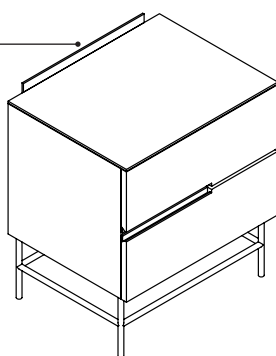
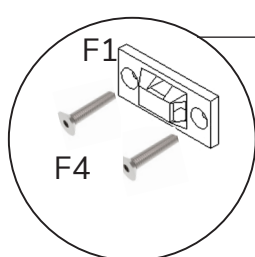
wall fixing

It is strongly recommended that you use the fixing strap provided to secure the furniture item to the wall to avoid accidental tipping on uneven floors or from improper use.



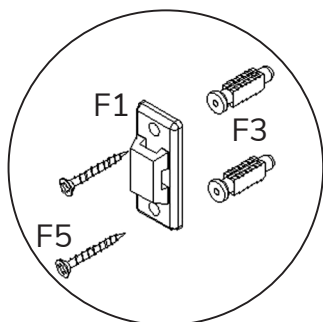
1.

- Attach 1 x bracket A to the top rear of the furniture frame



2.

- Make a mark on the wall approximately 2.5cm below bracket **F1** that is installed on the furniture.
- Attach the second bracket **F1** to the wall on this mark so it lines up vertically with the bracket on the furniture.
- To fix the bracket to the wall first drill 2 x 5mm holes into the wall at the mark using the bracket as a template for the hole position.
- Insert the plastic plugs **F3** into the holes in the wall and tap lightly with a hammer until they are seated flush.
- Attach the bracket A to the plastic plugs with long screws **F5**.



3.

- Move the furniture into position and line up the bracket **F1** on the furniture with the bracket **F1** on the wall.
- Thread strap **F2** through the brackets as shown.
- Pull strap to secure but do not over-tighten

