

# Federico

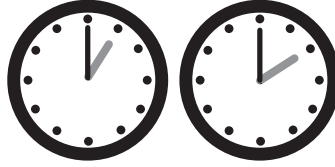
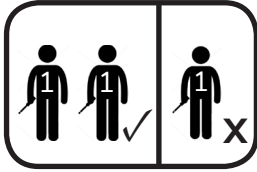
## Bed Frame



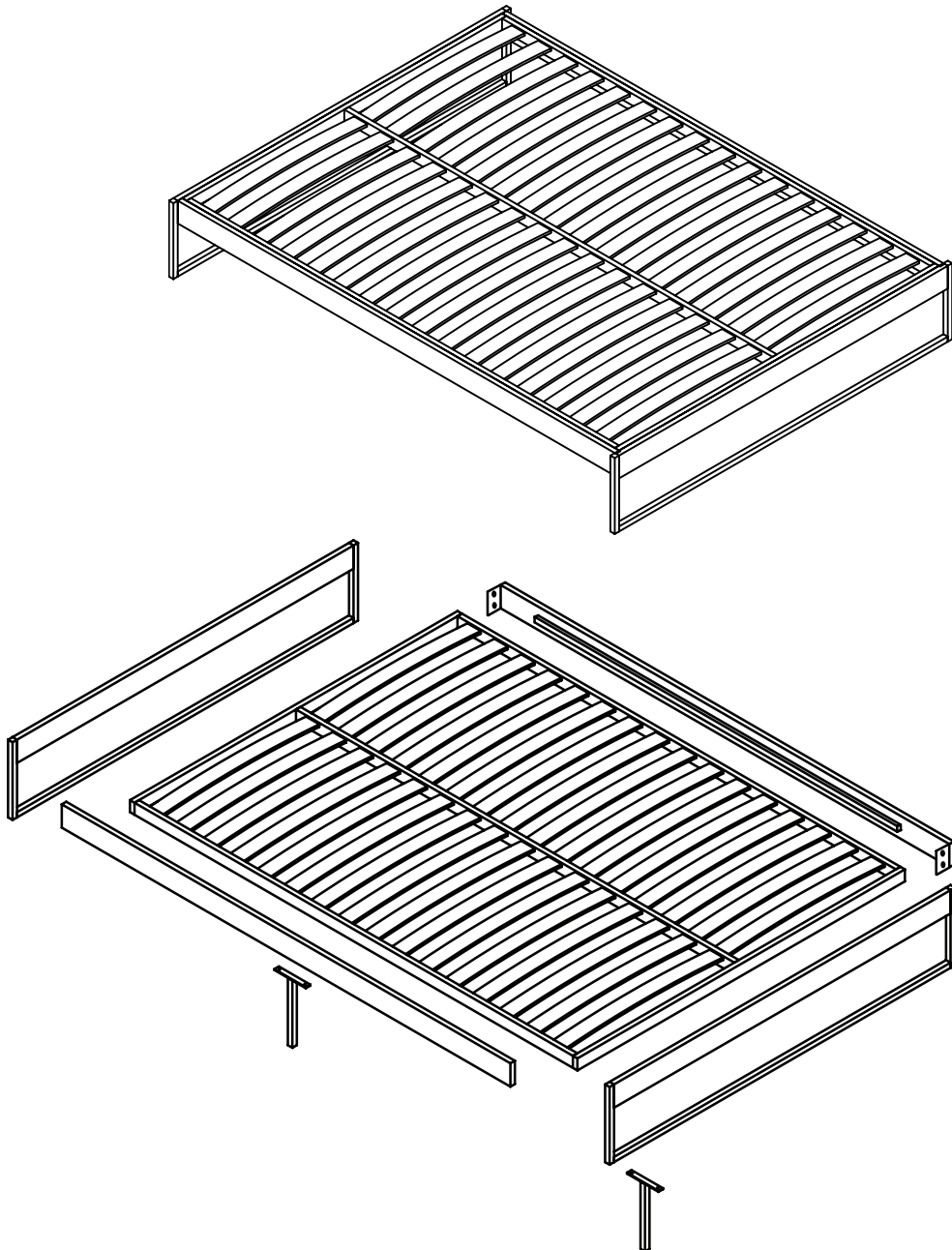
DOUBLE Bed Model numbers 118-500/501/502/503/504/505

KING Bed Model numbers 118-590/591/592/593/594/595

Double W1440 H345 D1990 King W1590 H345 D2090

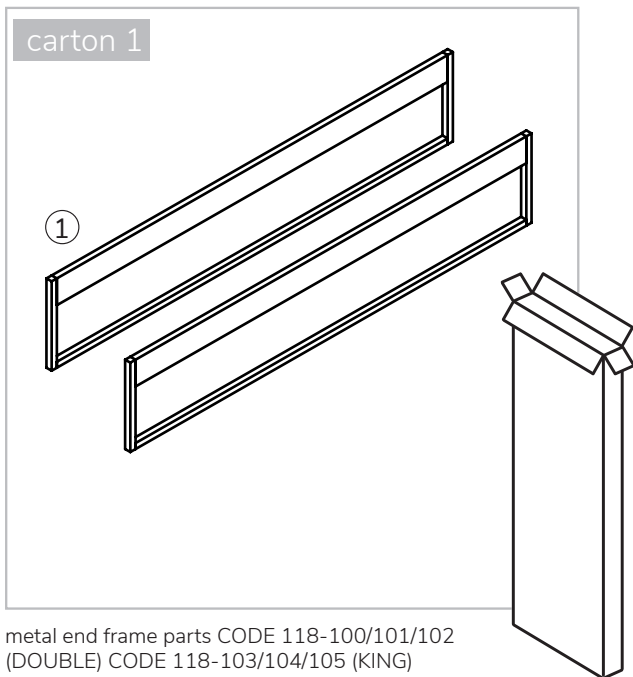


1 - 2 hrs

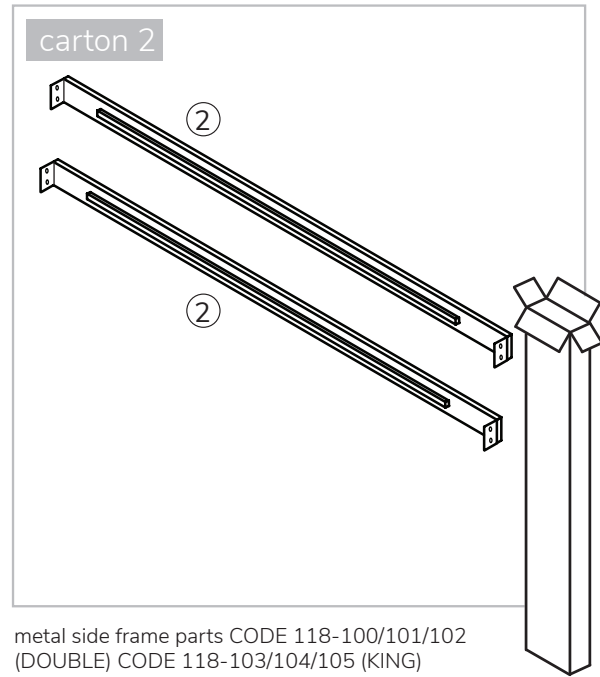


## items

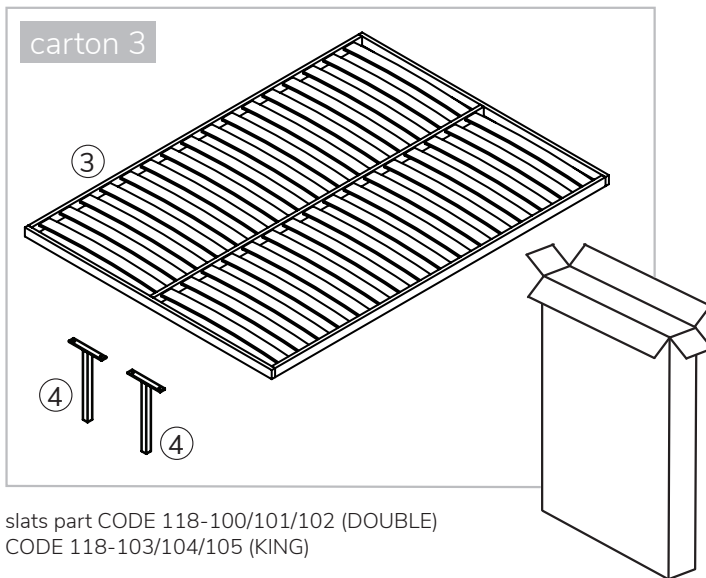
total cartons = 3



metal end frame parts CODE 118-100/101/102 (DOUBLE) CODE 118-103/104/105 (KING)



metal side frame parts CODE 118-100/101/102 (DOUBLE) CODE 118-103/104/105 (KING)



slats part CODE 118-100/101/102 (DOUBLE) CODE 118-103/104/105 (KING)

## hardware



Item A = Black plastic end caps x 4 (4 pieces in carton 1)

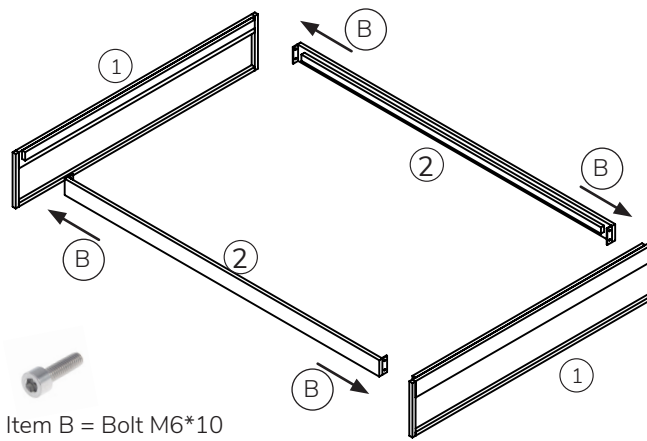


Item B = Bolt M6\*10 x 8 (8 pieces in carton 2)



Item C = Allan key x 1

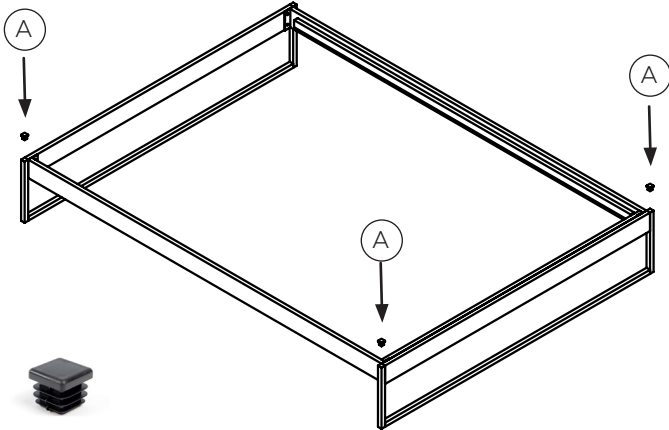
assembly stage 1



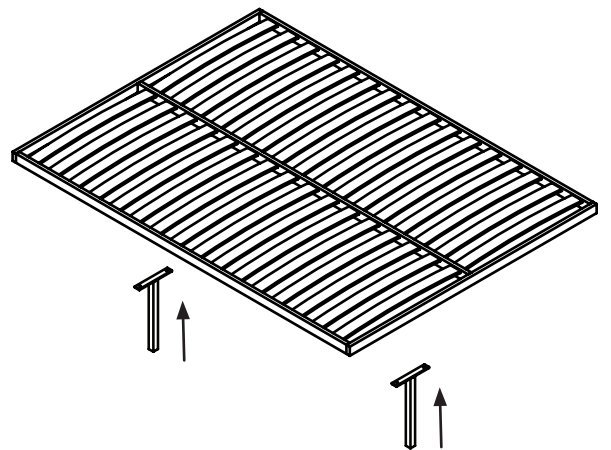
Item B = Bolt M6\*10

attach frame using hook fixing and secure with bolts (B)

assembly stage 2

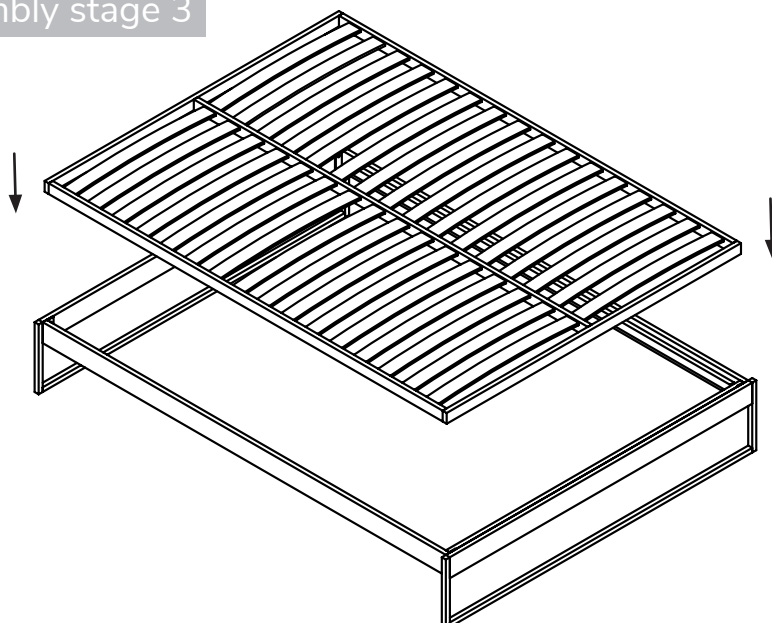


insert end caps



attach central support legs to underside of slat frame with nuts and bolts supplied.

assembly stage 3



place slats into the bed frame



**GILLMORE**  
BRITISH DESIGN  
sales@gillmore.co.uk  
www.gillmore.co.uk