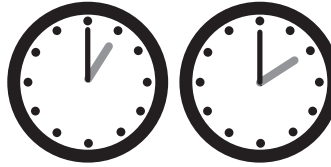
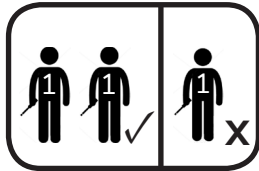


# Federico

## Canopy Bed

Double Canopy Bed W1590 H2000 D2090  
King Double Bed W1890 H2000 D2090

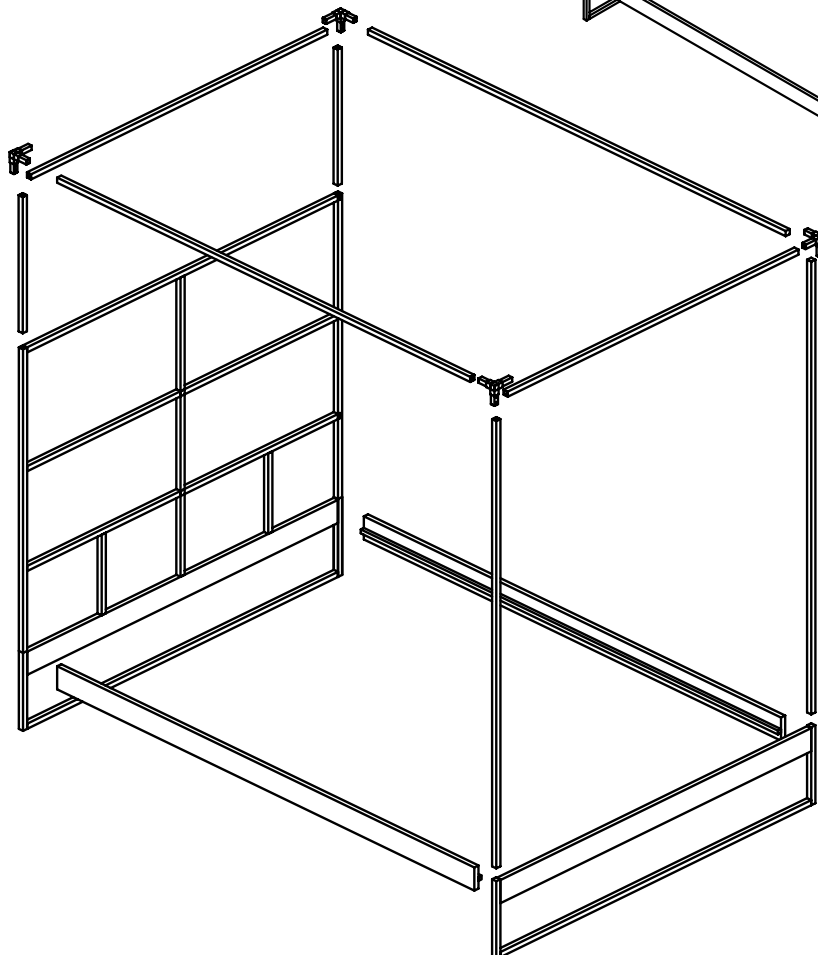
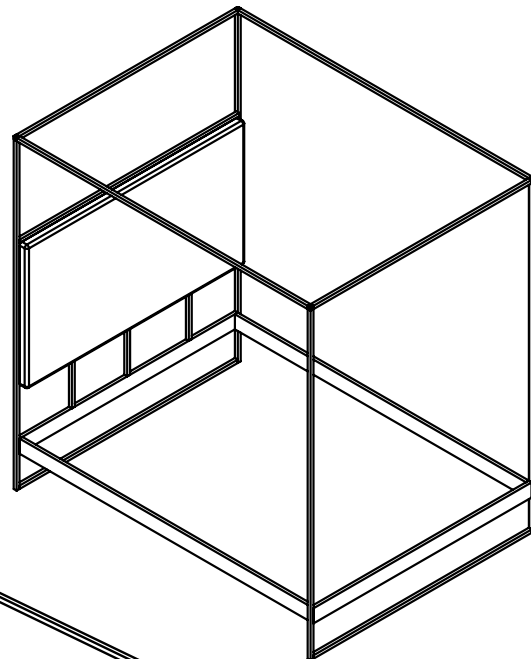
Total cartons = 6 for panelled headboard style  
Total cartons = 5 for upholstered headboard style



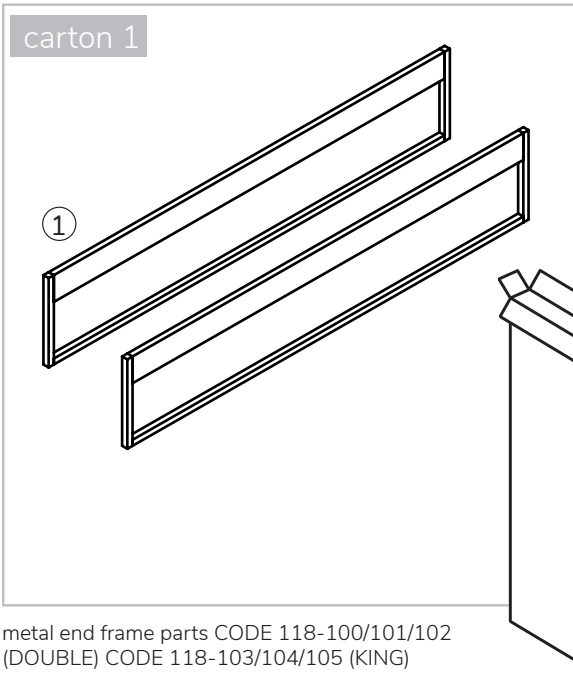
1 - 2 hrs



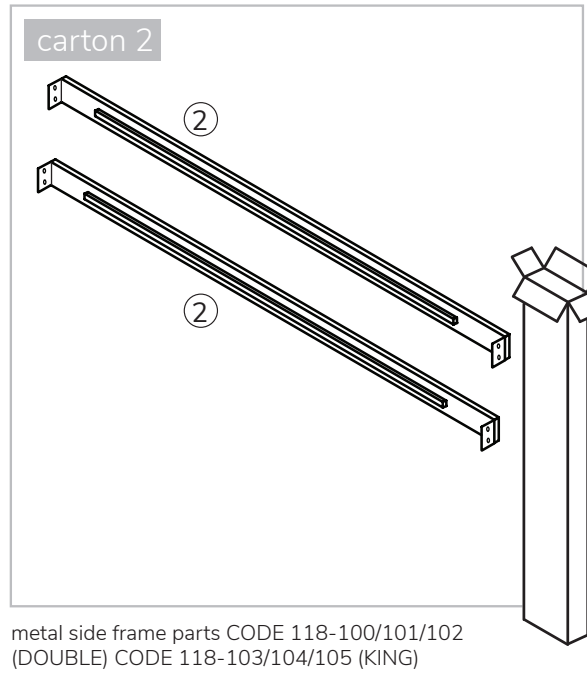
Assembly instructions for both Panelled and Upholstered Headboard style.



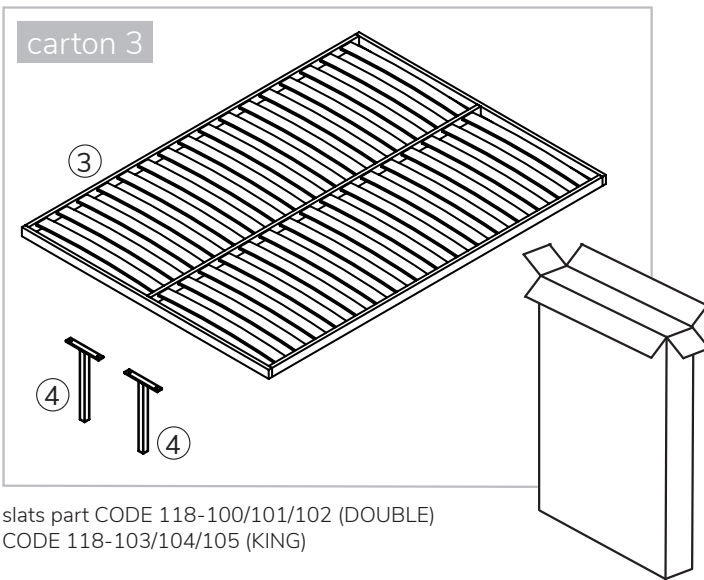
items



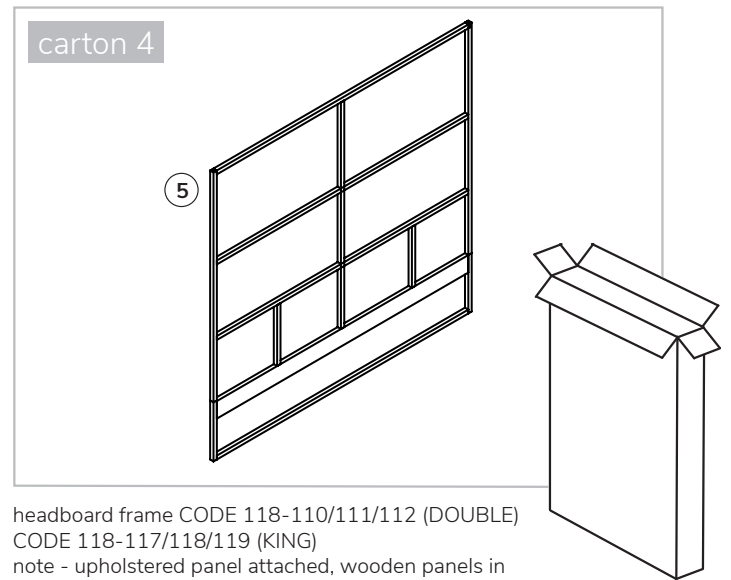
metal end frame parts CODE 118-100/101/102 (DOUBLE) CODE 118-103/104/105 (KING)



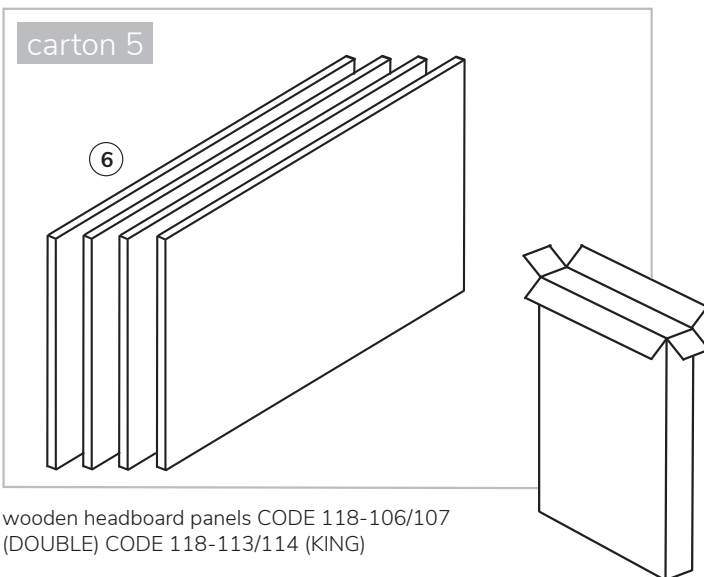
metal side frame parts CODE 118-100/101/102 (DOUBLE) CODE 118-103/104/105 (KING)



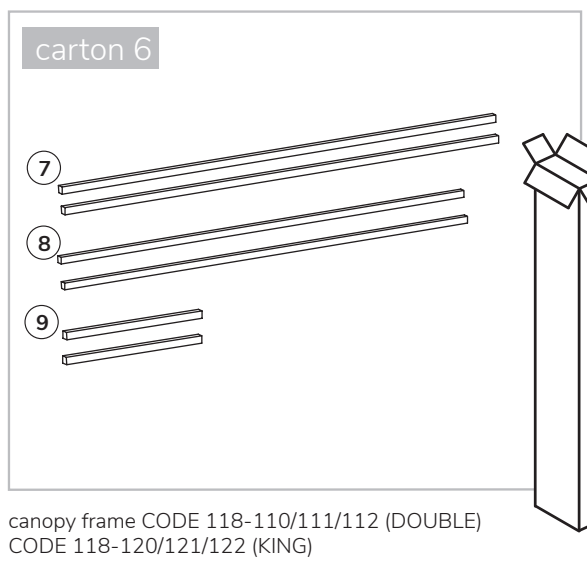
slats part CODE 118-100/101/102 (DOUBLE) CODE 118-103/104/105 (KING)



headboard frame CODE 118-110/111/112 (DOUBLE) CODE 118-117/118/119 (KING)  
note - upholstered panel attached, wooden panels in carton 5



wooden headboard panels CODE 118-106/107 (DOUBLE) CODE 118-113/114 (KING)



canopy frame CODE 118-110/111/112 (DOUBLE) CODE 118-120/121/122 (KING)

## hardware



Item A = Bolt M6\*10 x 8 (8 pieces in carton 2)



Item B = Allan key x 1



Item C = Threaded rod M8x320 x 4 (2 pieces in carton 4)



Item D = Bolt M8x20 x 2 (2 pieces in carton 4)



Item E = Plastic connector x 2 (2 pieces in carton 4)



Item F = Bolt M6\* x 16 (16 pieces in carton 5)



Item G = Wall bracket x 2 (2 pieces in carton 4)



Item H = Screw for wall bracket x 2 (2 pieces in carton 4)



Item I = Self tapping screw for wooden panels x 2 (2 pieces in carton 4)



Item J = Bolt M8x20 x 4 (4 pieces in carton 6)



Item K = Threaded rod M8x320 x 2 & M8\*570 (4 pieces in carton 6)



Item L = Plastic connector x 4 (2 pieces in carton 6)



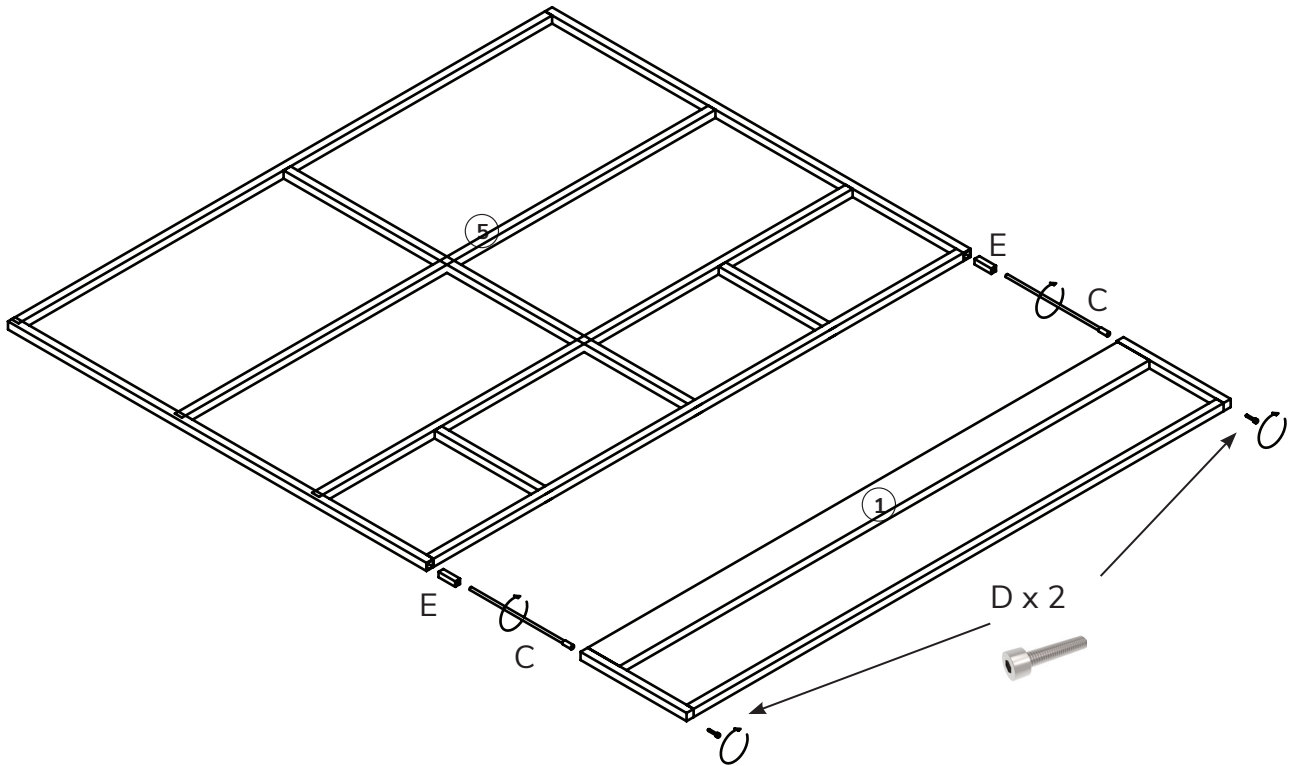
Item M = Corner connectors x 4 (4 pieces in carton 6)



Item N = Bolt M6\*10 x 8 (8 pieces in carton 6)

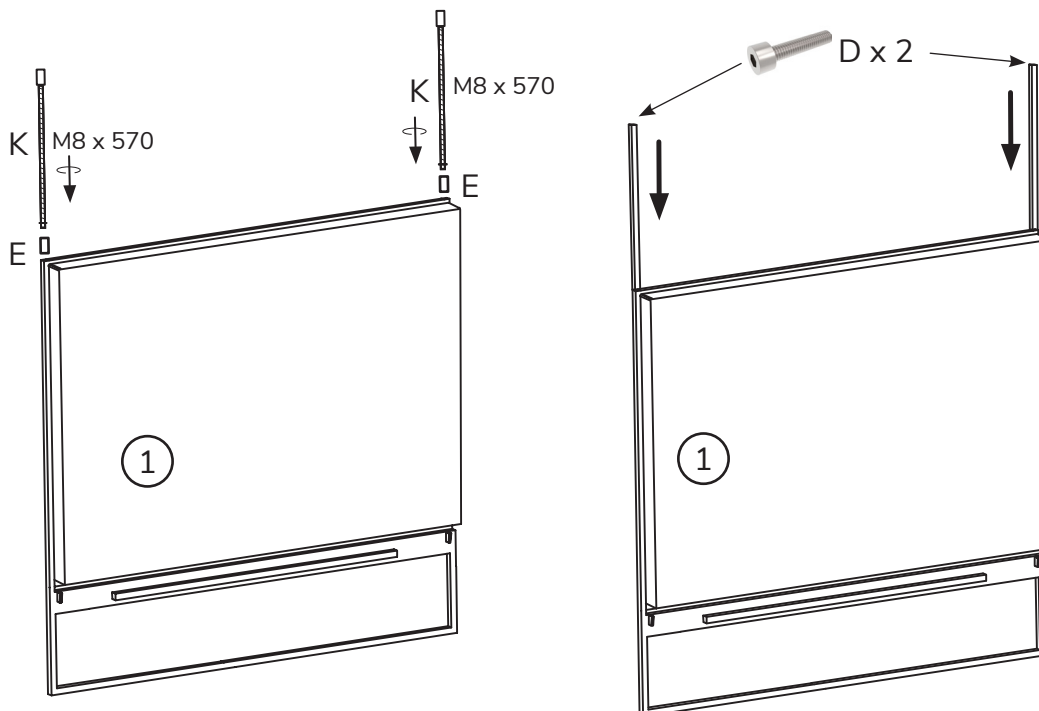
## assembly stage 1

Connect the headboard frame to one of the base end frames using the threaded rod and plastic connector



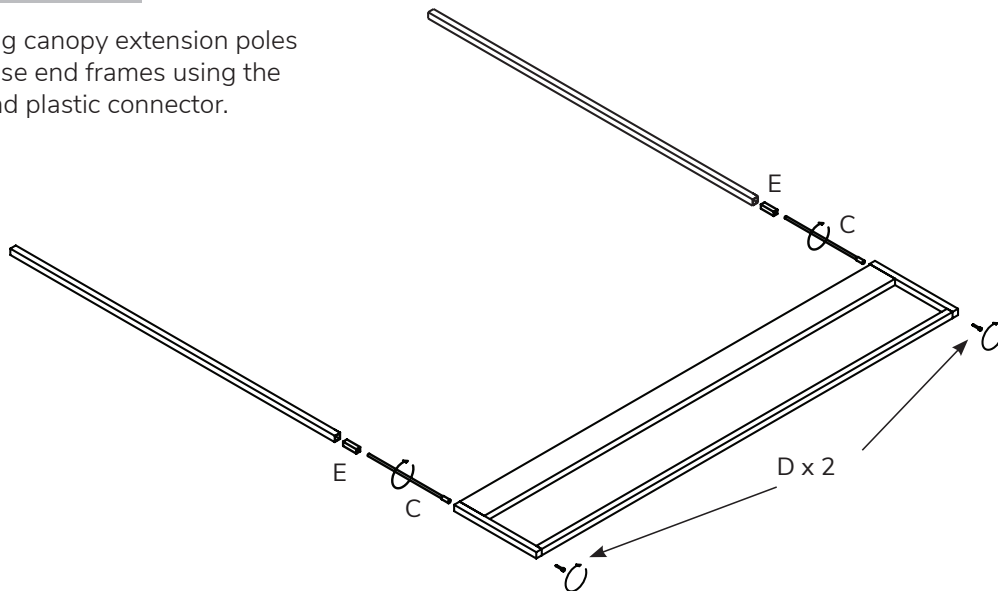
## assembly stage 2

Connect the canopy extension poles using the threaded rod and plastic connector.



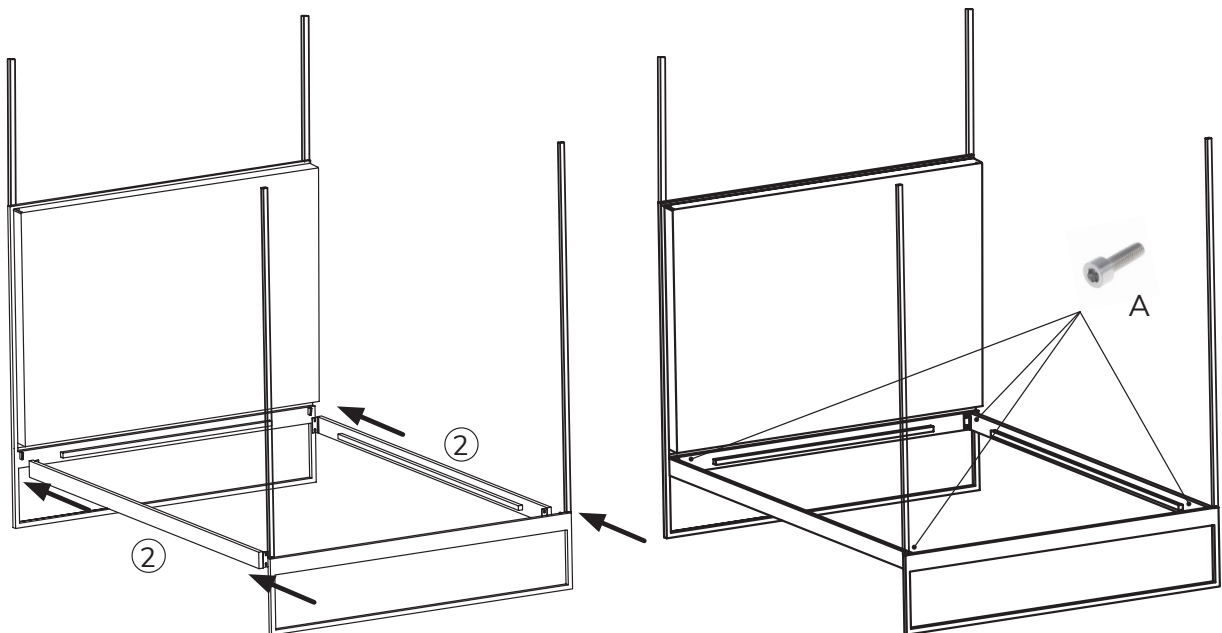
### assembly stage 3

Connect the long canopy extension poles to one of the base end frames using the threaded rod and plastic connector.



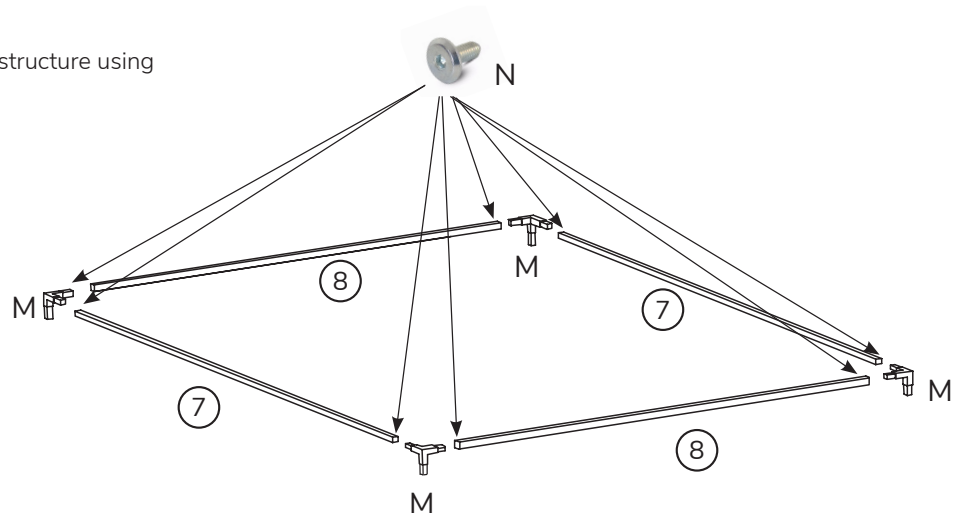
### assembly stage 4

Attach frame using hook fixing and secure with bolts



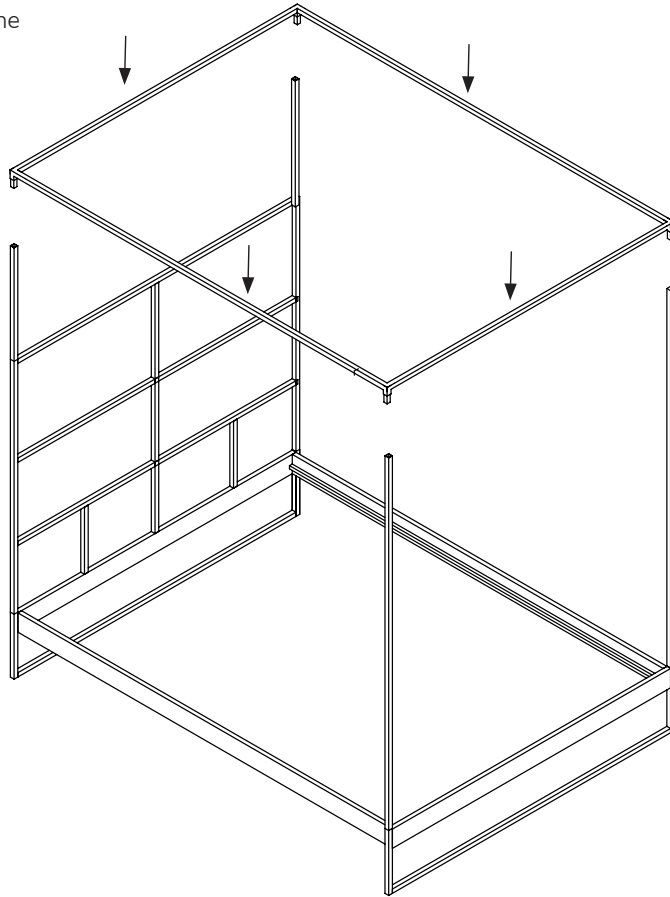
### assembly stage 5

Connect and secure the canopy structure using the corner connectors.



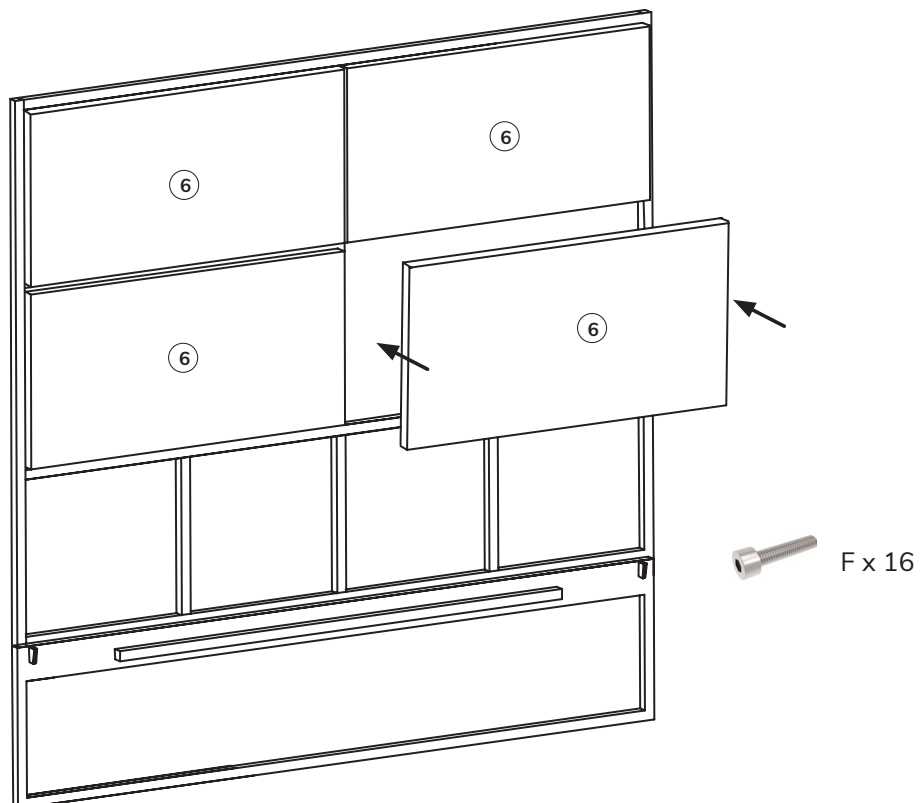
## assembly stage 6

Attach the assembled canopy frame onto the extension tubes.



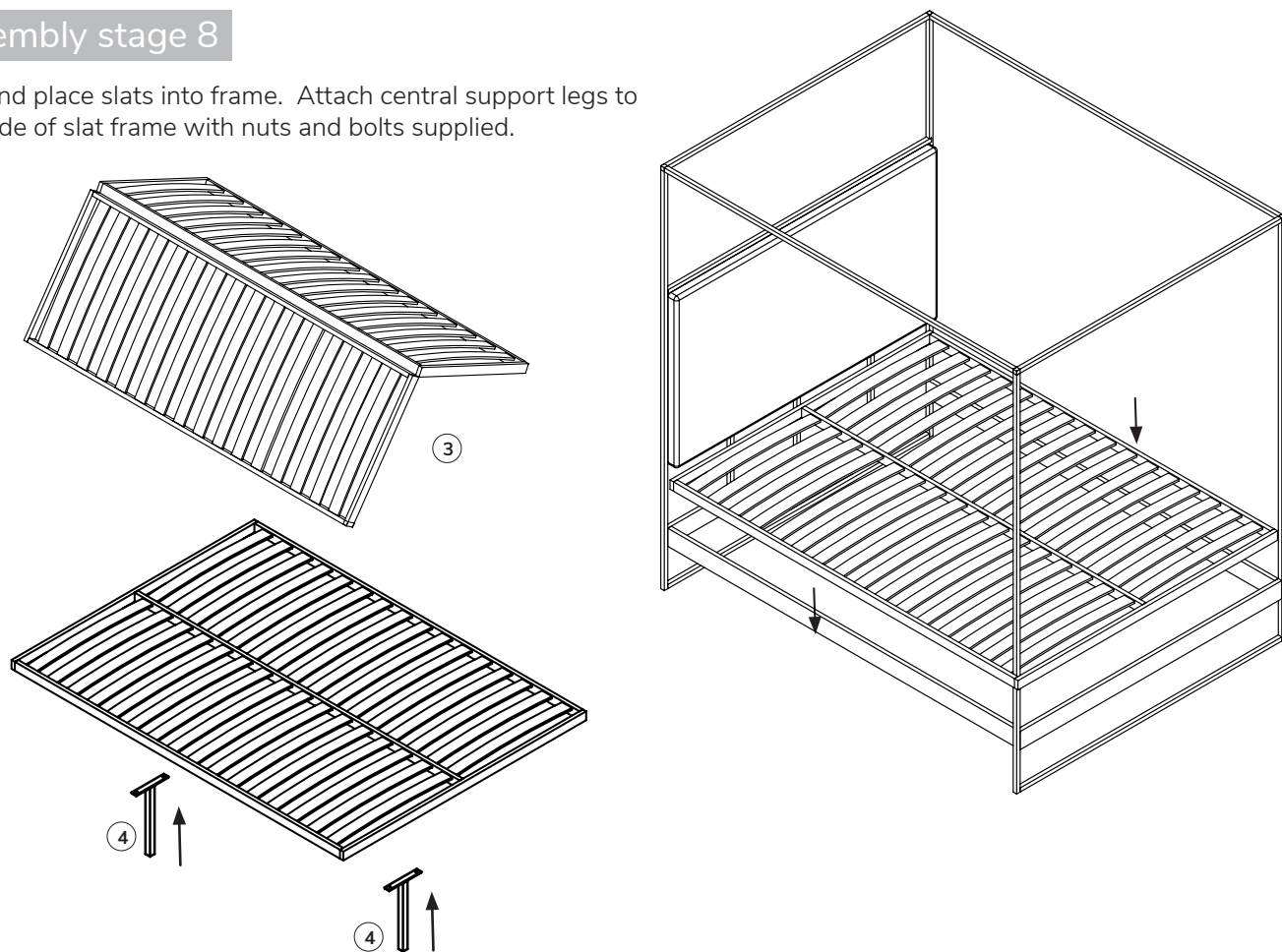
## \* assembly stage 7 - NB - wooden headboard only

Secure the headboard panels from the rear of the metal frame.



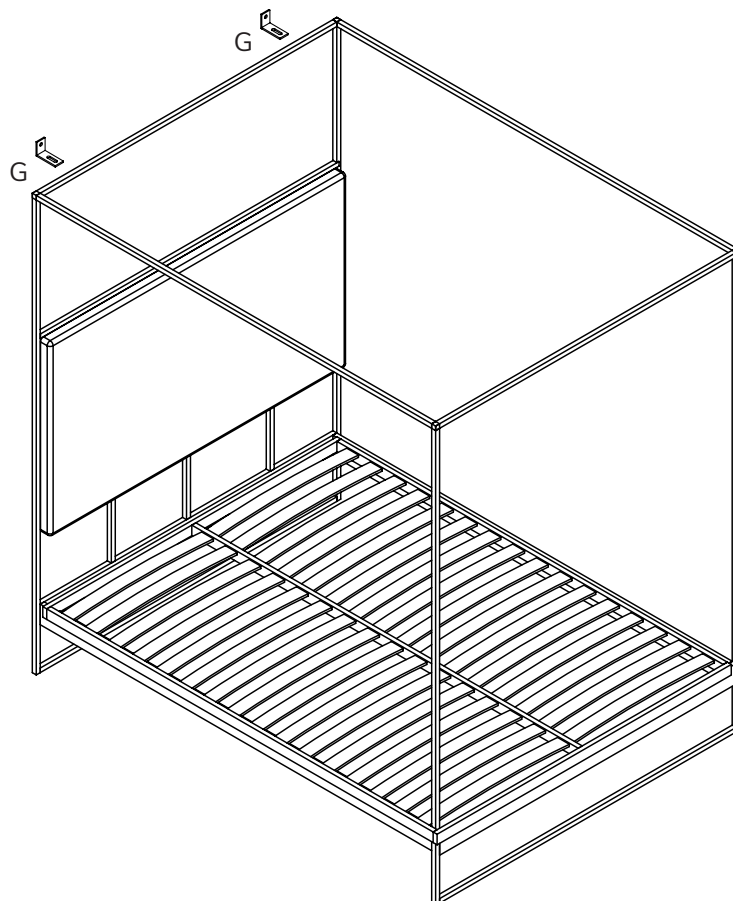
## assembly stage 8

Open and place slats into frame. Attach central support legs to underside of slat frame with nuts and bolts supplied.



## assembly stage 8

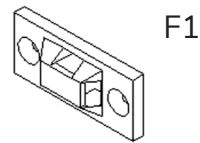
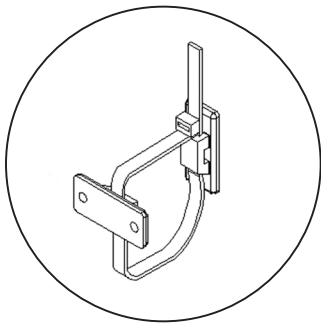
Anchor the headboard to the wall (optional extra). NB. Wall plugs not supplied



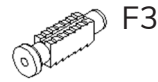
**GILLMORE**  
BRITISH DESIGN  
sales@gillmore.co.uk  
www.gillmore.co.uk

## Optional - Additional Wall Fixing

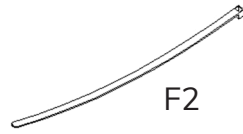
It is recommended that you use the fixing strap provided to secure the furniture item to the wall to provide added stability for the headboard.



F1



F3



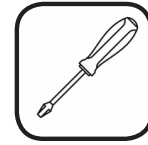
F2



F4

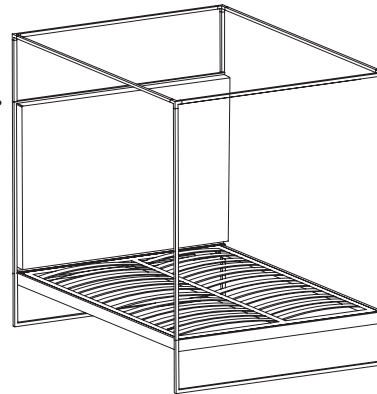
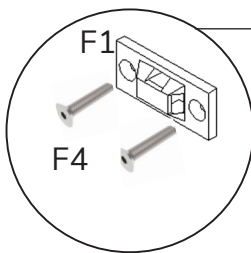


F5



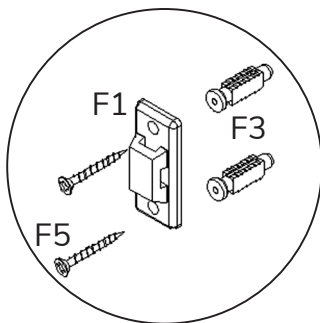
1.

- Attach 2 x bracket A to the top rear of the furniture frame



2.

- Make a mark on the wall approximately 2.5cm below bracket **F1** that is installed on the furniture.
- Attach the second bracket **F1** to the wall on this mark so it lines up vertically with the bracket on the furniture.
- To fix the bracket to the wall first drill 2 x 5mm holes into the wall at the mark using the bracket as a template for the hole position.
- Insert the plastic plugs **F3** into the holes in the wall and tap lightly with a hammer until they are seated flush.
- Attach the bracket A to the plastic plugs with long screws **F5**.



3.

- Move the furniture into position and line up the bracket **F1** on the furniture with the bracket **F1** on the wall.
- Thread strap **F2** through the brackets as shown.
- Pull strap to secure but do not over-tighten

