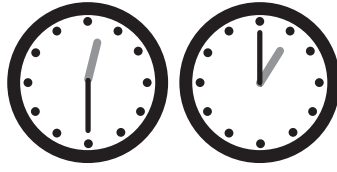


# Federico

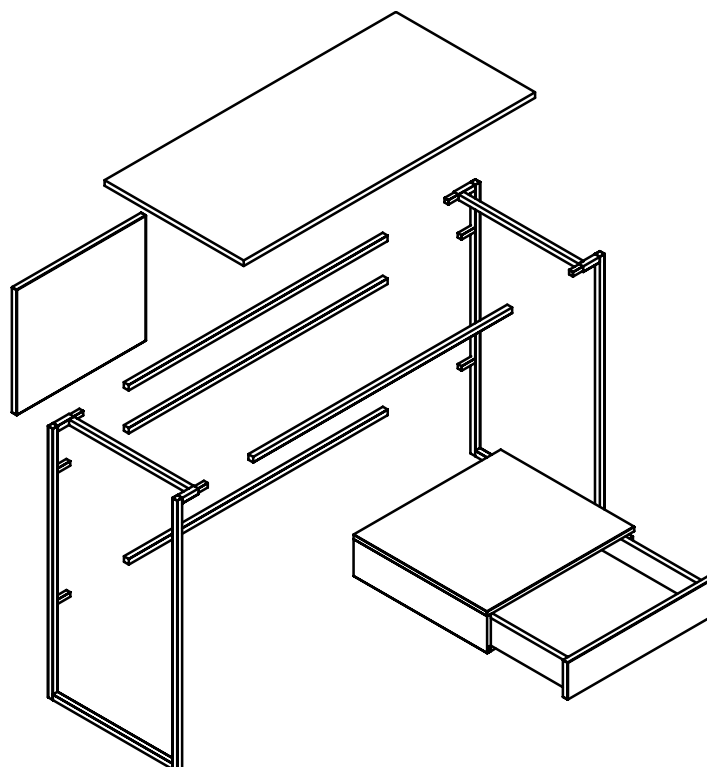
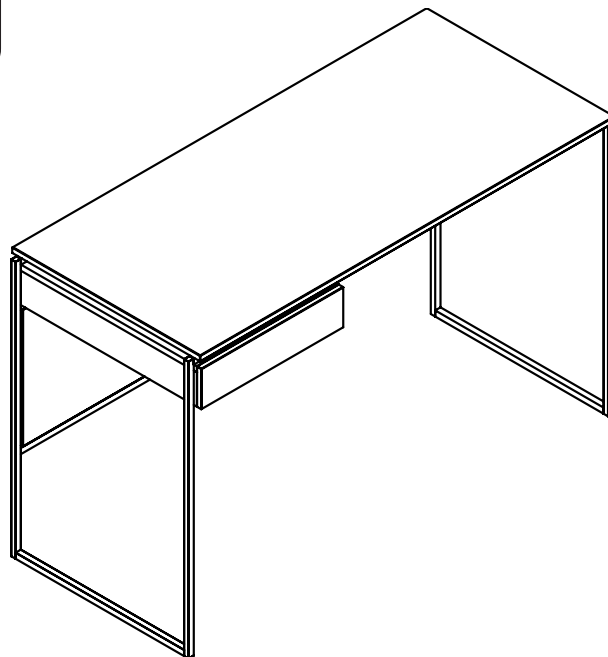
## Desk

Model numbers 118-614/15/16/17/18/19

W1300 H740 D650

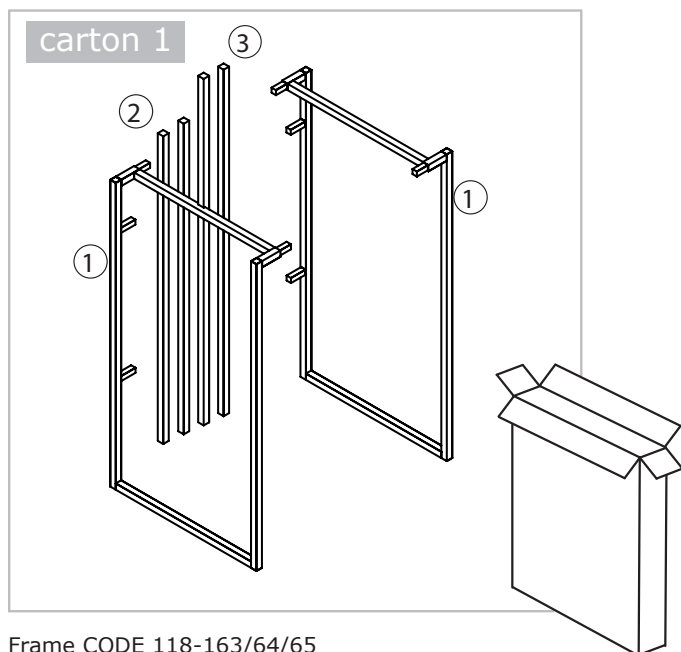


30-60

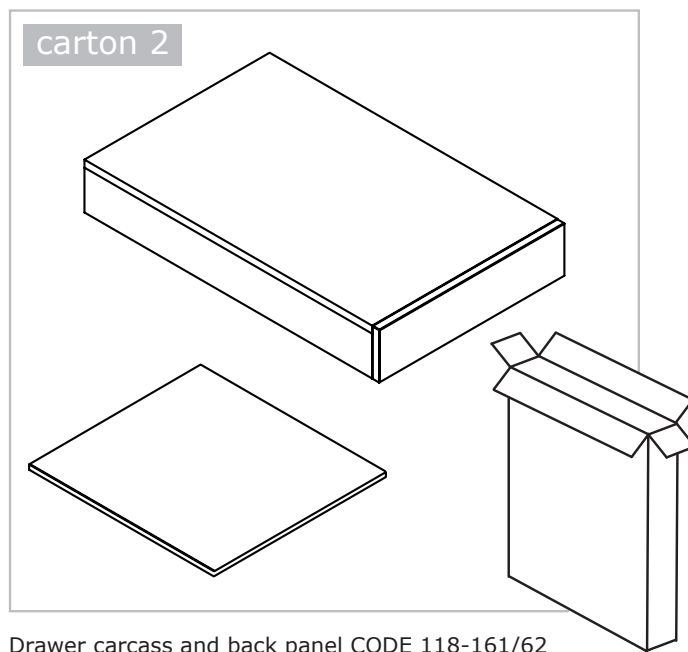


## Items

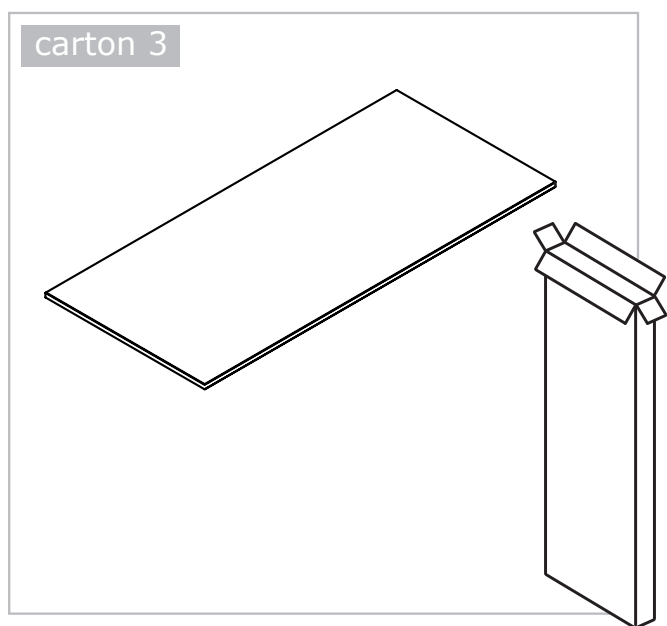
Total cartons = 3



Frame CODE 118-163/64/65








Drawer carcass and back panel CODE 118-161/62

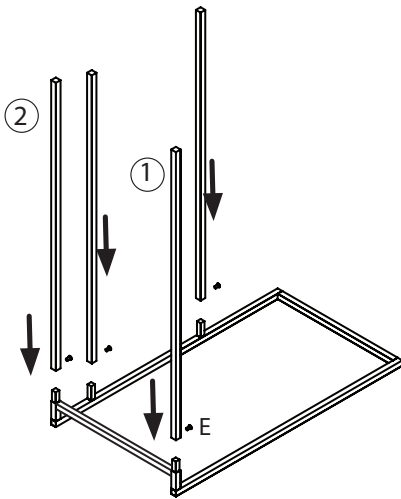


Carton 3 (Thin rectangle Shaped 134 x 71 x 6cm) = Glass top (CODE 118-160)

## Hardware

-  Item A = M6x20 x 6 (6 pieces in carton 2)
-  Item B = Self tapping screws x 4 (4 pieces in carton 2)
-  Item C = Allan key x 2 (1 in Carton 1)
-  Item D = Plastic Suckers x 8 (Carton 3)
-  Item E = M6\*10 x 9 (Carton 1)

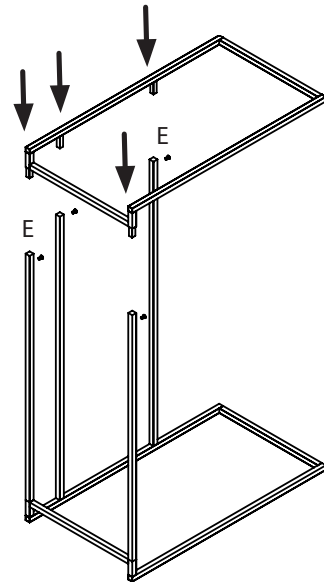
## Assembly stage 1



**Important**  
Rails 1 and 2 - ensure these are fixed the correct way round.

**Top side** - This has two holes equally distanced from the edges. These holes house the plastic suckers to keep the glass top in place

**Under side** - Only has one hole which will have a thread inside. Ensure this hole is on the left side of the of the frame as its required to fit the drawer.



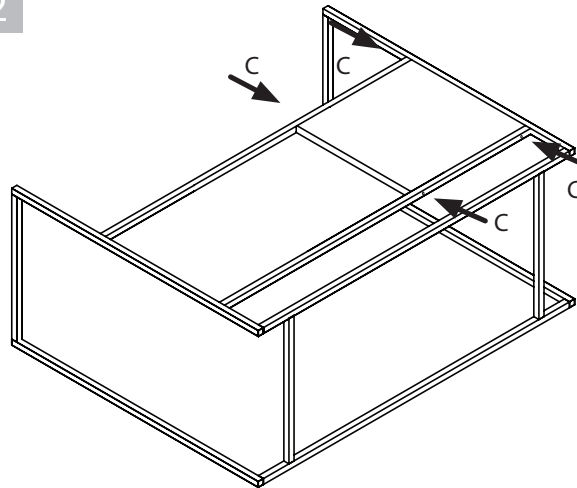
Place one side frame (1) on the floor and insert the rails as shown securing with the screws (E)

Place the second side frame in position and gently tap onto the rails ensuring the parts are tightly together before securing with the screws (E)

## Assembly stage 2

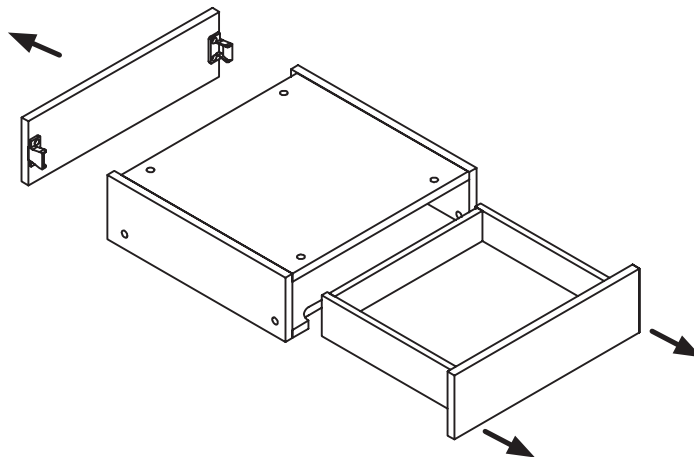


Self tapping screws x B



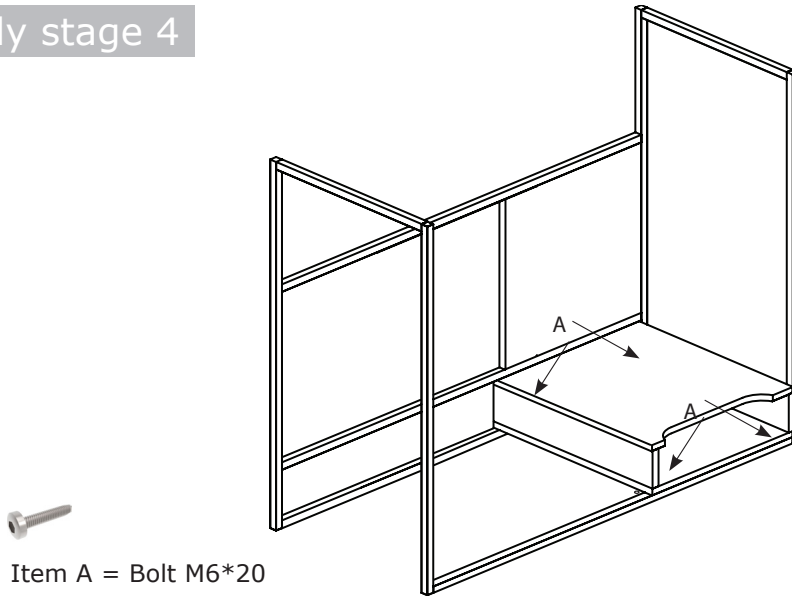
The small back panel is attached inside the frame using 4 screws (B)

## Assembly stage 3



Release and remove the drawer by pressing (in opposite directions) the small plastic lever on each runner and then gently press the back panel from inside the carcass.

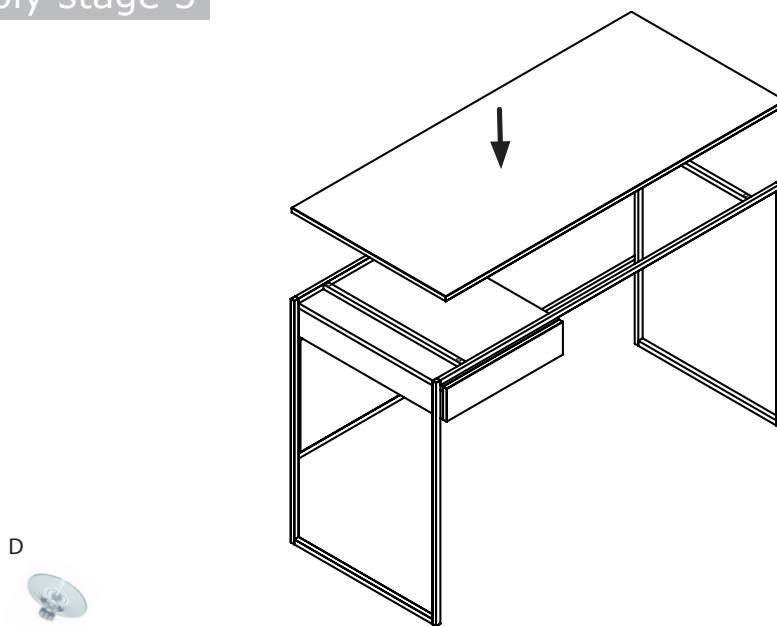
## Assembly stage 4



Item A = Bolt M6\*20

Attach the drawer carcass to the frame using 4 x screw (A). Make sure the carcass is the correct way up (pre-drilled bolt holes facing the frame). Once fixed in place 'press the back panel into its original position and securely engage the drawer back onto its runners'

## Assembly stage 5



D

Place plastic suckers into frame holes and gently lower glass into place.



**GILLMORE**

BRITISH DESIGN

[sales@gillmore.co.uk](mailto:sales@gillmore.co.uk)

[www.gillmore.co.uk](http://www.gillmore.co.uk)