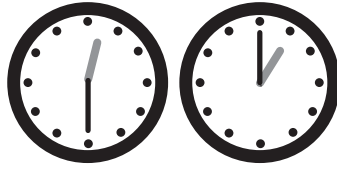


Federico

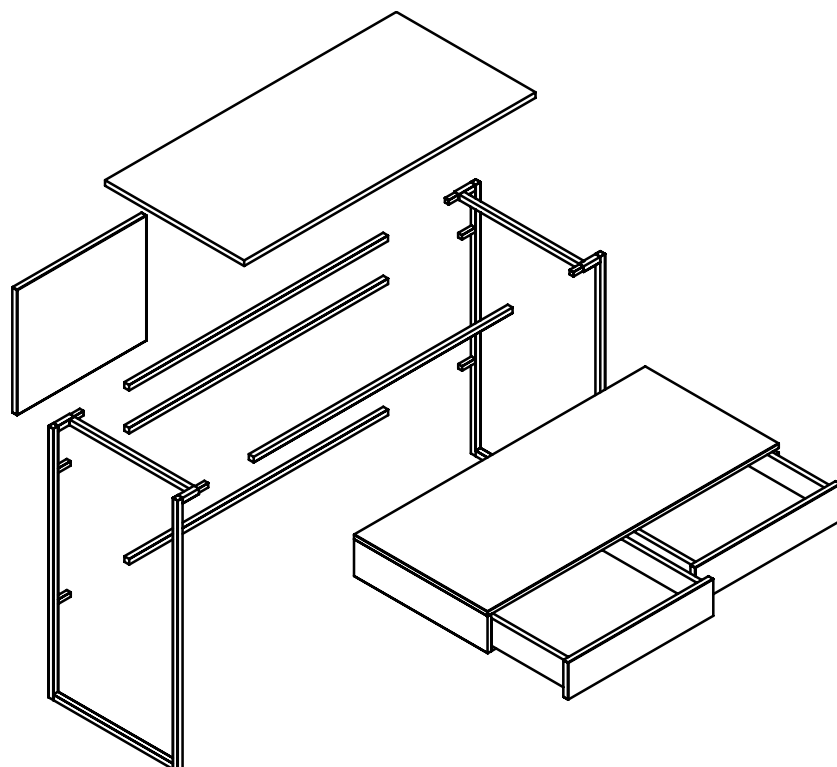
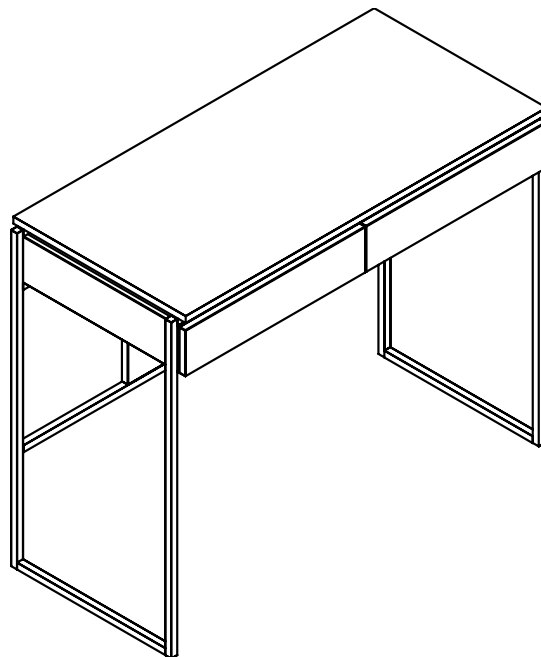
Dressing Table

Model numbers 118-608/609/610/611/612/613

W900 H740 D400

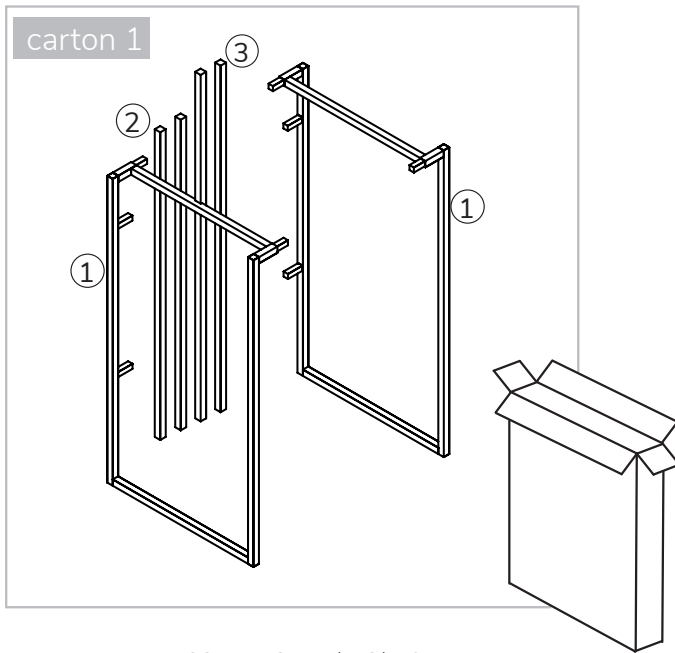


30-60 mins

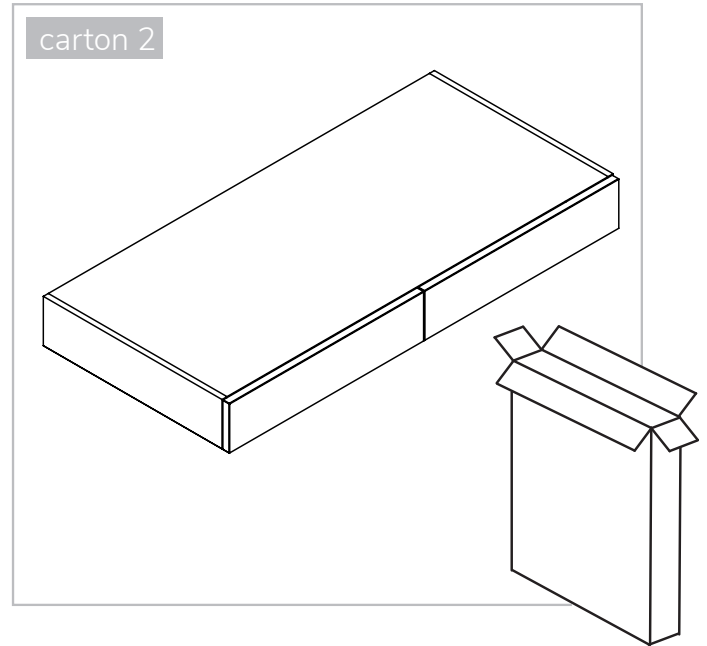


items

total cartons = 2








metal frame parts CODE 118-157/158/159

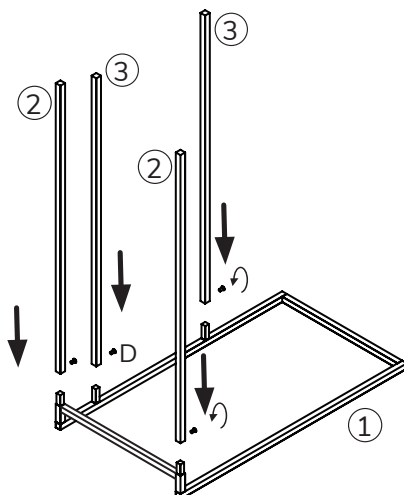


drawer carcass and cabinet top CODE 118-155/156

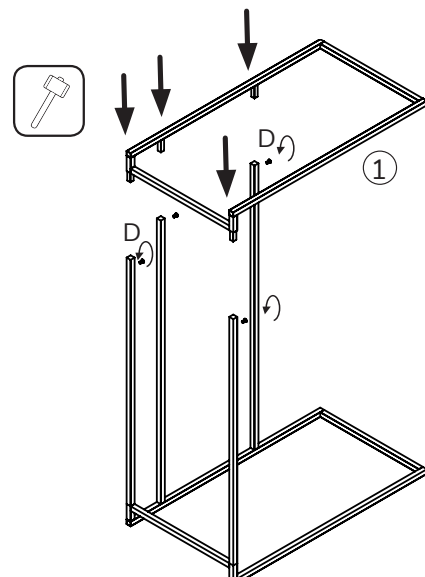
hardware

-  Item A = Bolt M6*20 x 4 (4 pieces in carton 2)
-  Item B = Bolt M6*35 x 6 (6 pieces in carton 2)
-  Item C = Screw M4*20 x 4 (4 pieces in carton 2)
-  Item D = Socket screw bolt M6*10 x 8 (4 pieces in carton 1)
-  Item C = 4mm allen key x 1

assembly stage 1

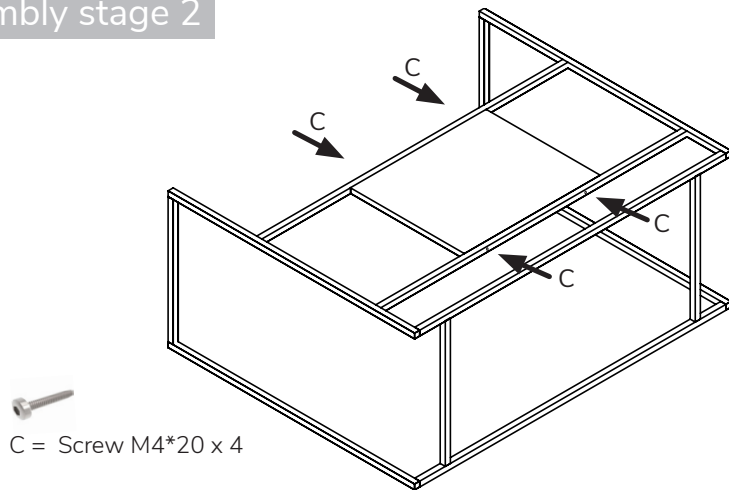


Place one side frame (1) on the floor and insert the rails as shown securing with the socket screws (D)



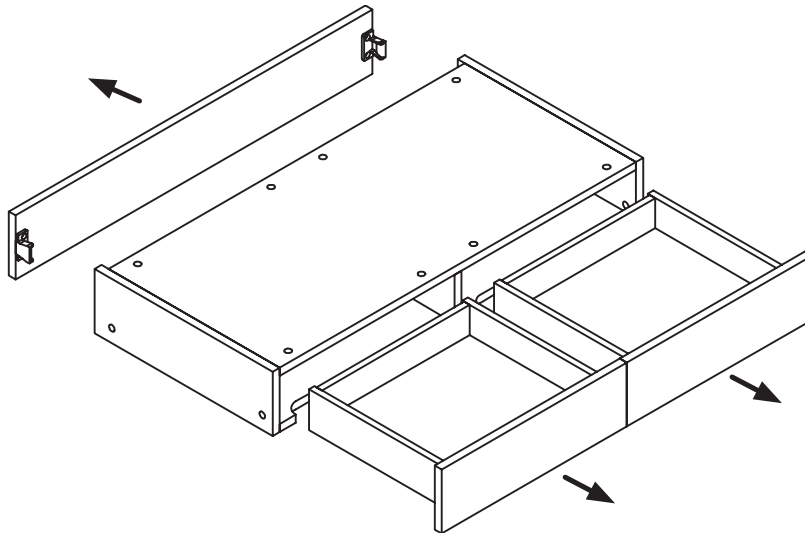
Place the second side frame in position and gently tap onto the rails ensuring the parts are tightly together before securing with the socket screws (D)

assembly stage 2



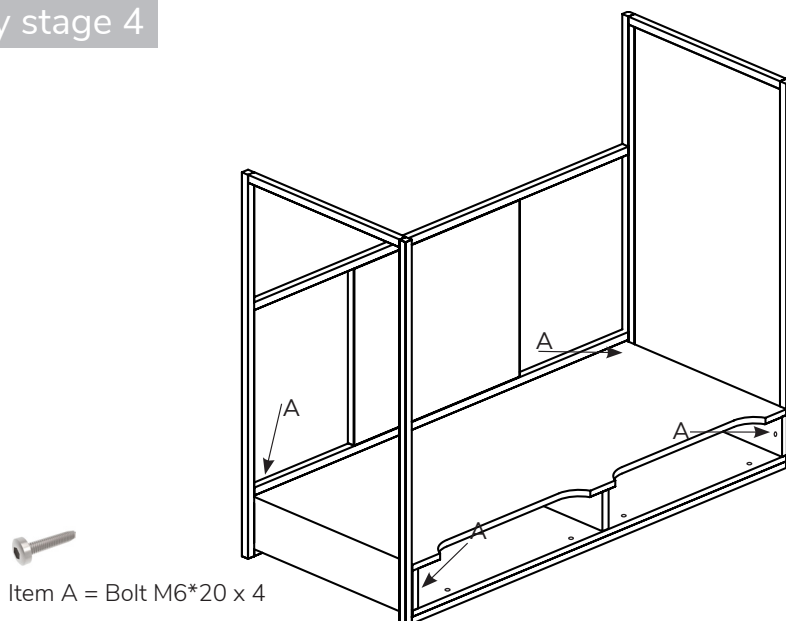
The small back panel is attached inside the frame using 4 screws (C)

assembly stage 3



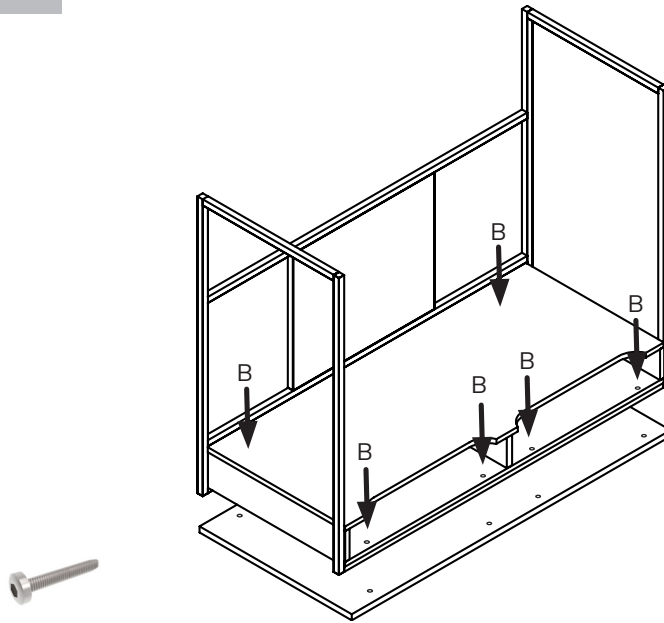
Gently press the back panel from inside the carcass to release and remove drawers by pressing (in opposite directions) the small plastic lever on each runner

assembly stage 4



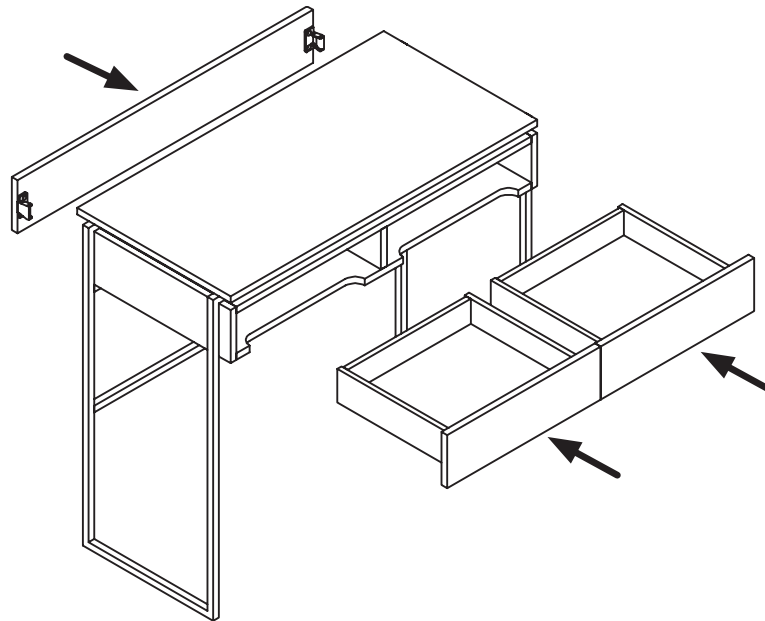
Attach the drawer carcass to the frame using 4 x screw (A). NB. Make sure the carcass is the correct way up (pre-drilled bolt holes facing the frame)

assembly stage 5



Attach the cabinet top to the structure from inside the drawer carcass using 6 x bolt B

assembly stage 6



Press the back panel into its original position and securely engage the drawers back onto the runners NB. Be sure to identify the left and right drawer before engaging with runners



GILLMORE

BRITISH DESIGN

sales@gillmore.co.uk

www.gillmore.co.uk