

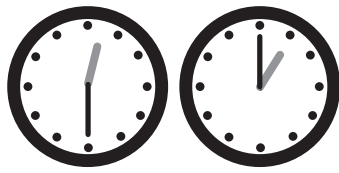
# Federico

## Extending Dining Table

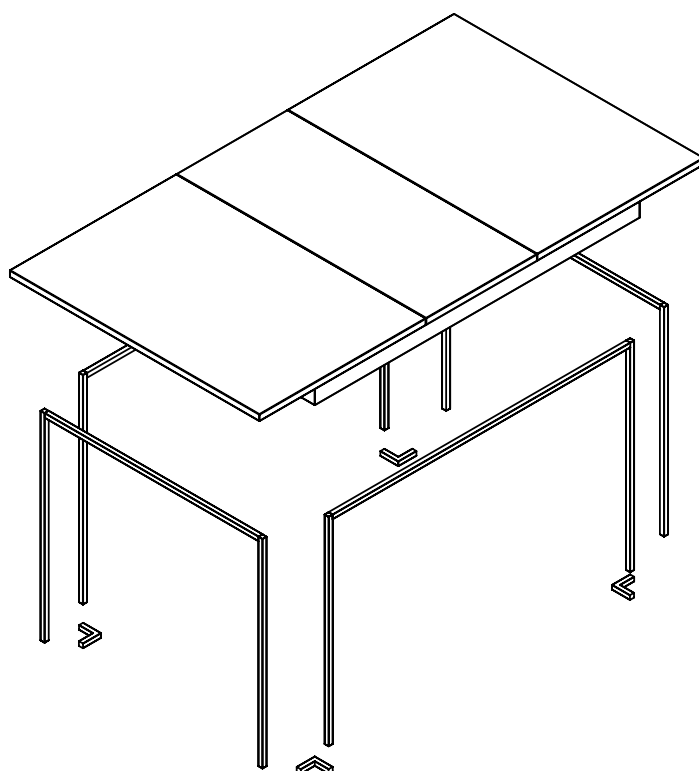
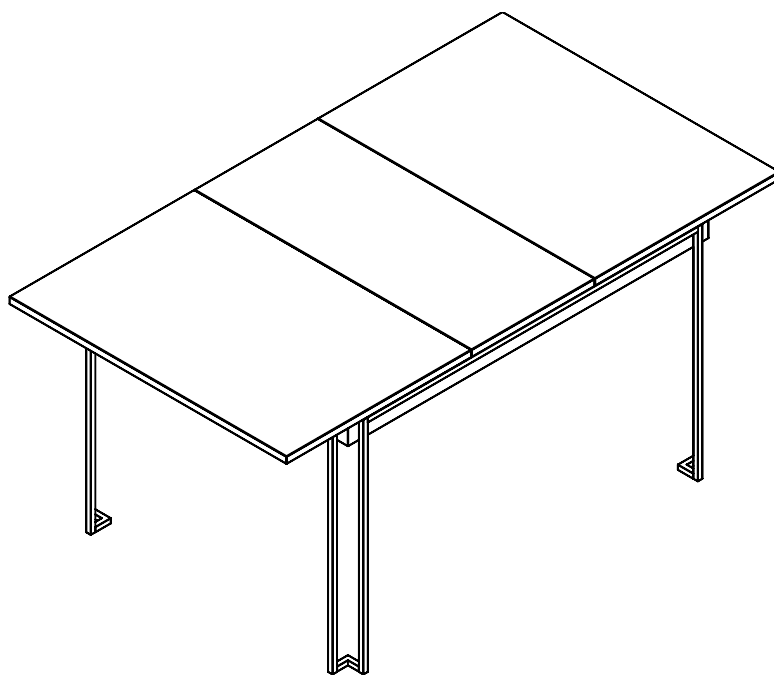


Model numbers 118-641/42/43/44/45/46

W1200-1600 H740 D900

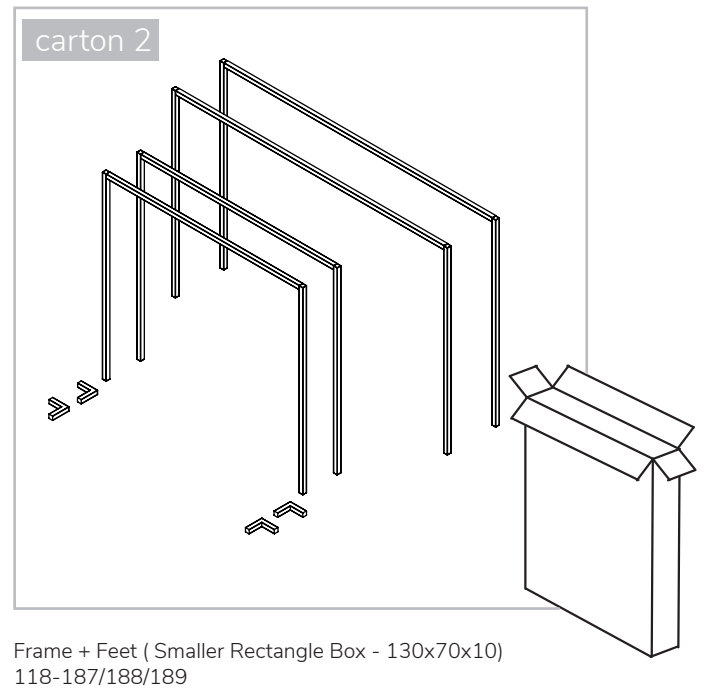
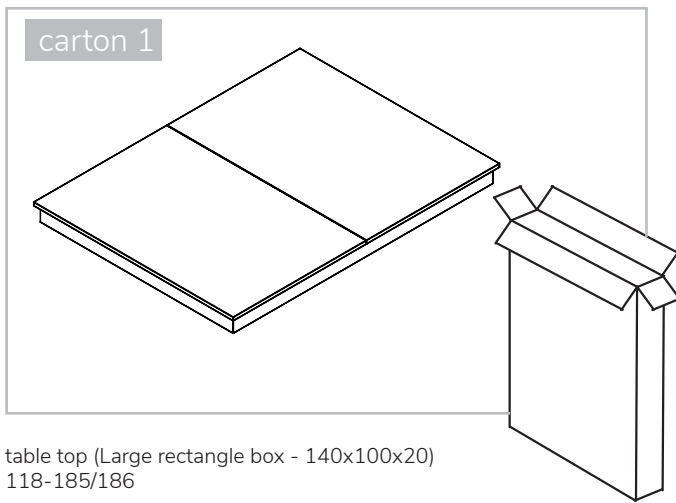


30-60 mins








## items

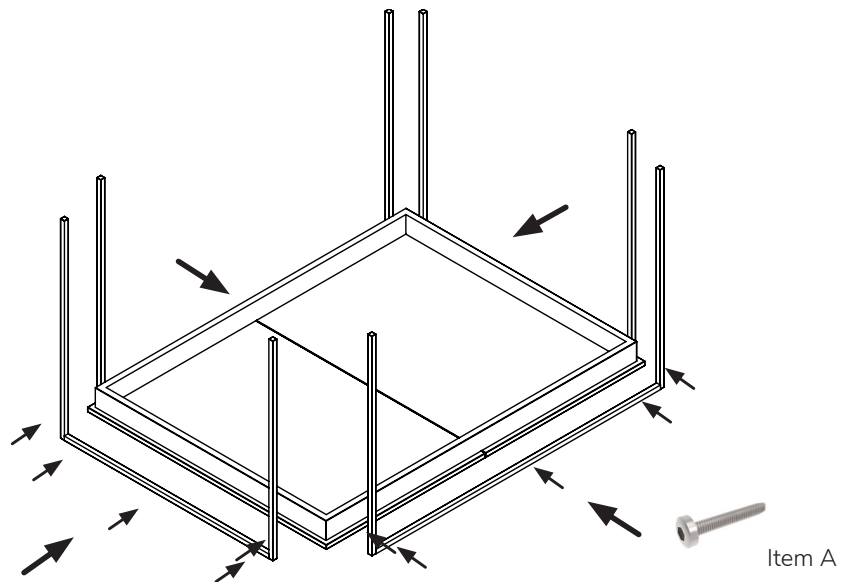
total cartons = 2



## hardware

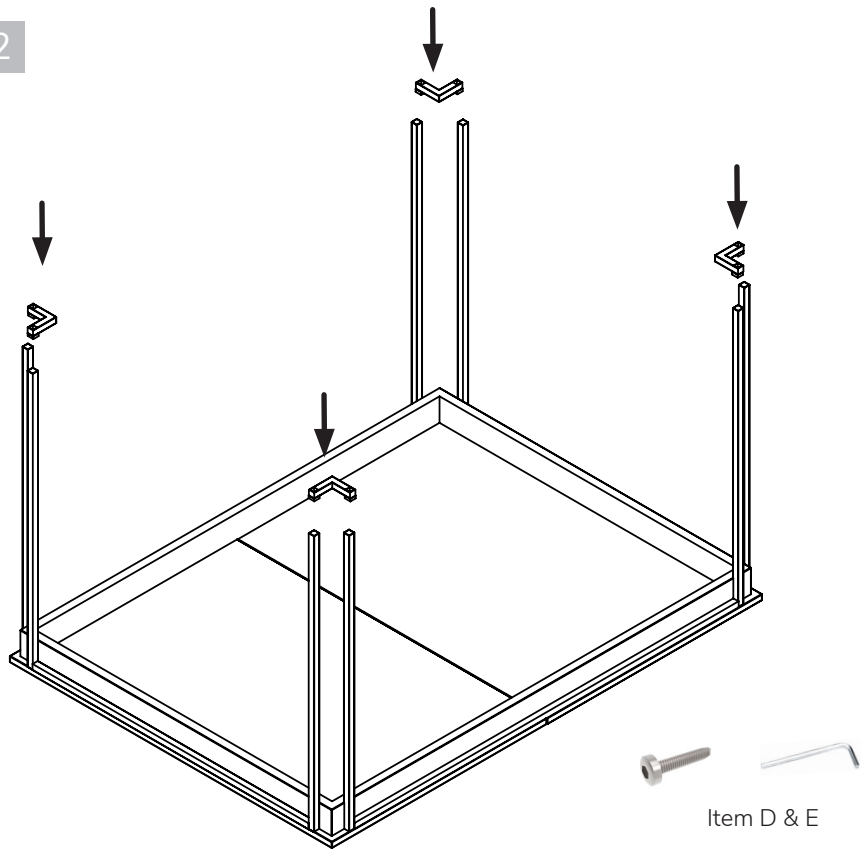
-  Item A - 18 x M6\*30 (Carton 1)
-  Item B - 4mm Allen Key (Carton 1)
-  Item C - 9 x Plastic Feet square (Carton 2)
-  Item D - 9 x M8\*20 (Carton 2)
-  Item E - 6mm Allen Key (Carton 2)

## assembly stage 1



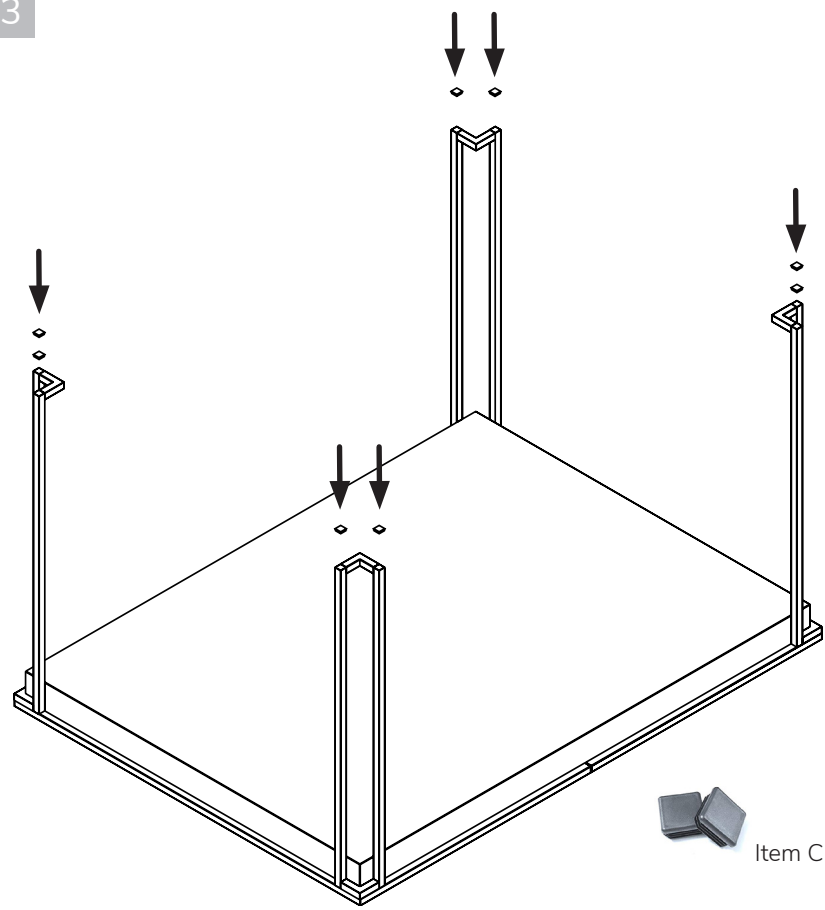
with thr table top upside down fix the legs into the side rails with item A

assembly stage 2



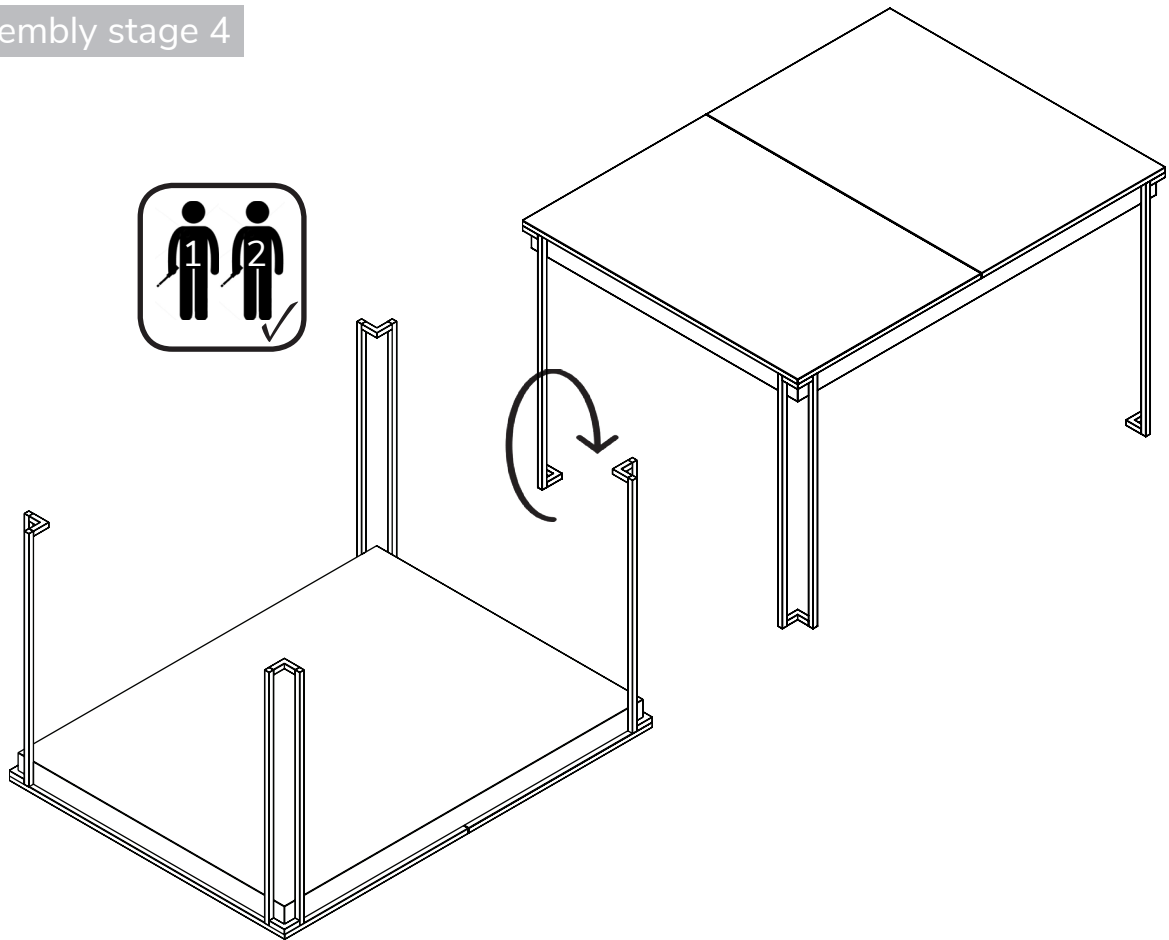
place corner feet into the ends of the leg frames and secure with item D

assembly stage 3

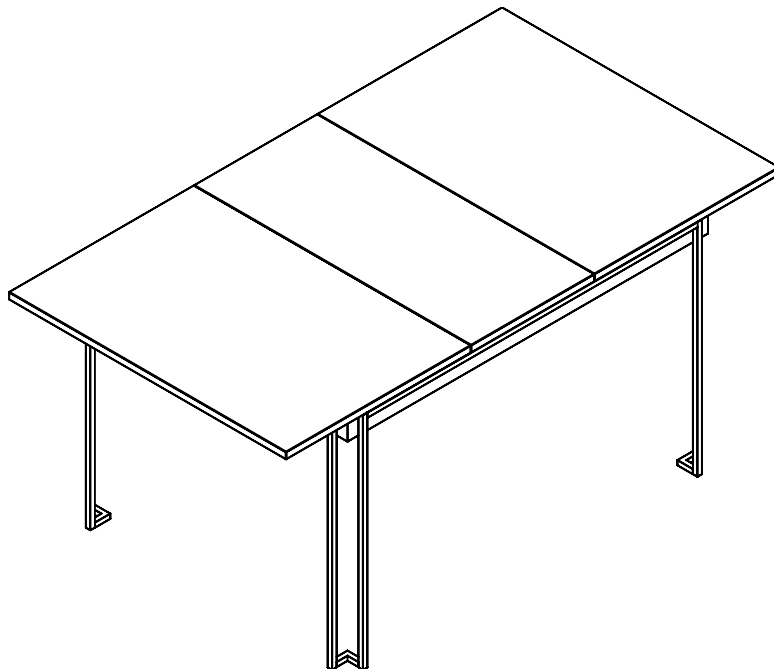


place plastic caps (item C) into the holes in the corner feet

assembly stage 4



holding the table by the frame, carefully turn over onto the feet - **note this is a 2 x person task**



**GILLMORE**  
BRITISH DESIGN  
sales@gillmore.co.uk  
www.gillmore.co.uk