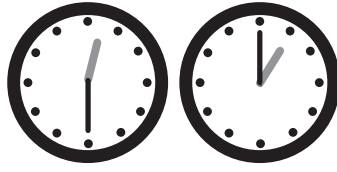


Federico

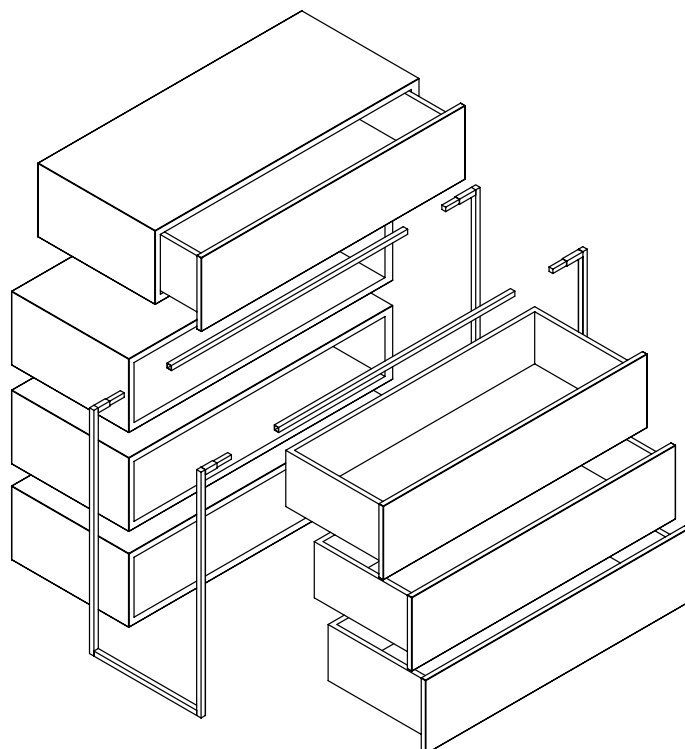
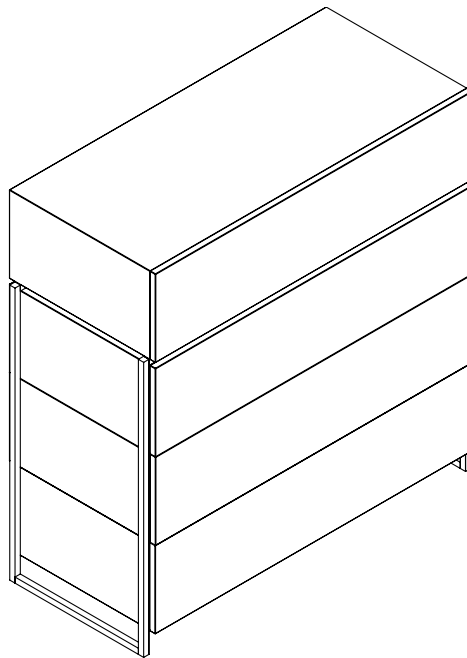
Four Drawer Chest

Model numbers 118-590/591/592/593/594/595

W930 Hxxx Dxxx

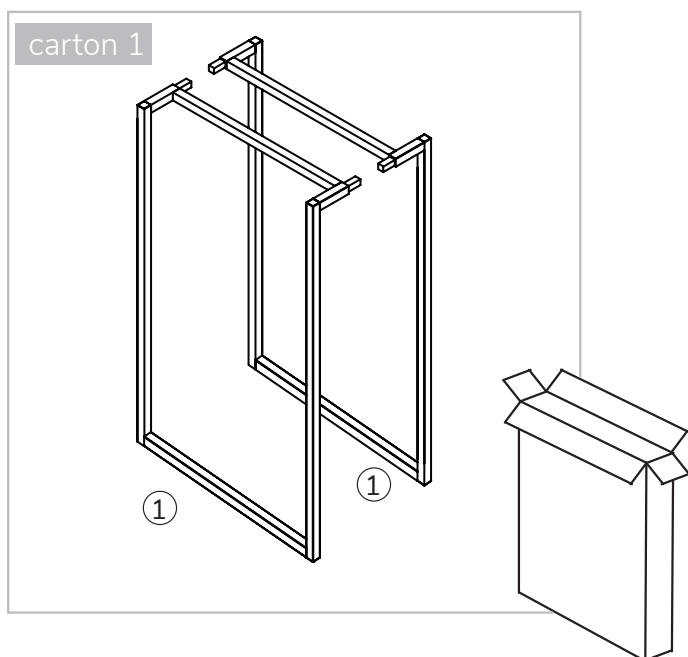


30-60 mins

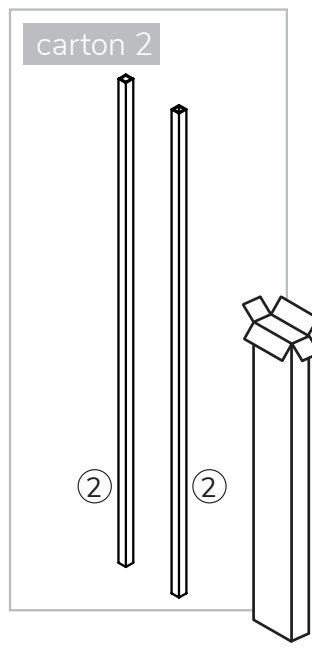


items

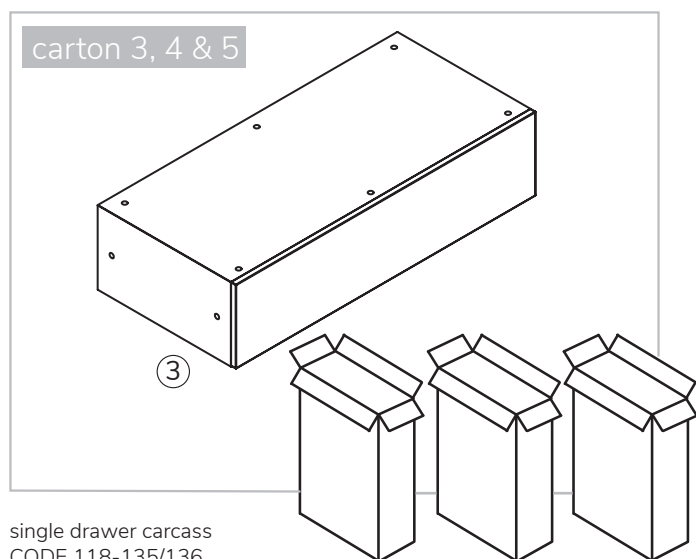
total cartons = 6



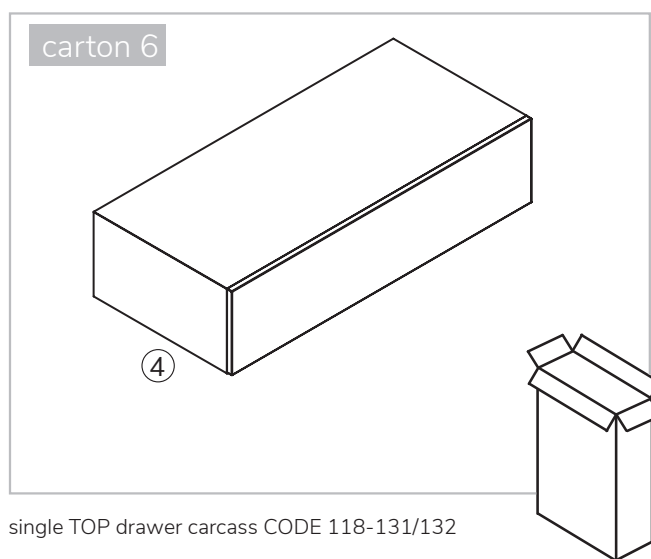
pair of side frames CODE 118-140/141/142



pair of horizontal bars CODE 118-143/145/146



single drawer carcass
CODE 118-135/136



single TOP drawer carcass CODE 118-131/132

hardware



Item **A** = M6*20 x 8 (4 pieces in carton 3, 4 pieces in carton 4, 4 pieces in carton 5)

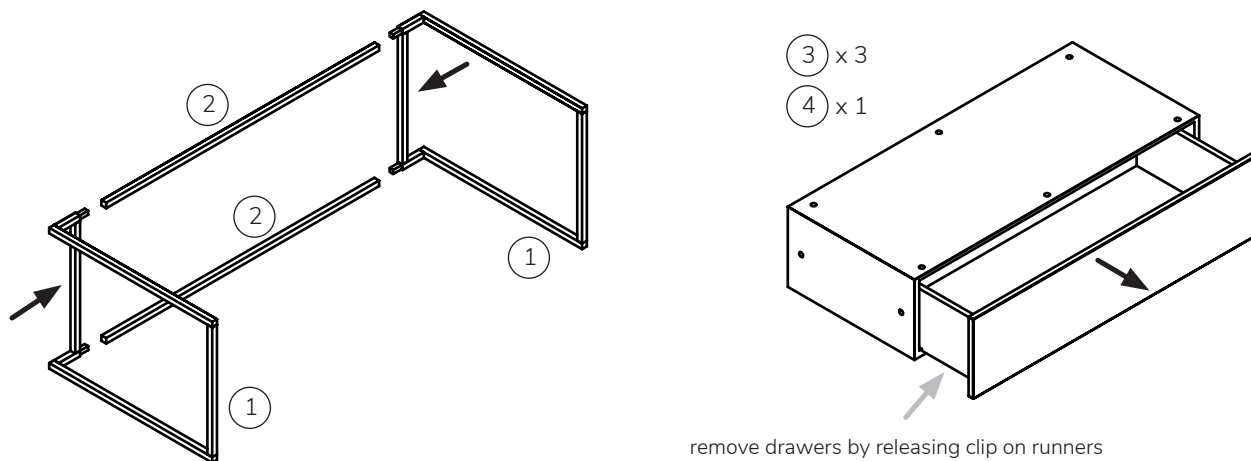


Item **B** = M6 * 35 x 6 (6 pieces in carton 6)

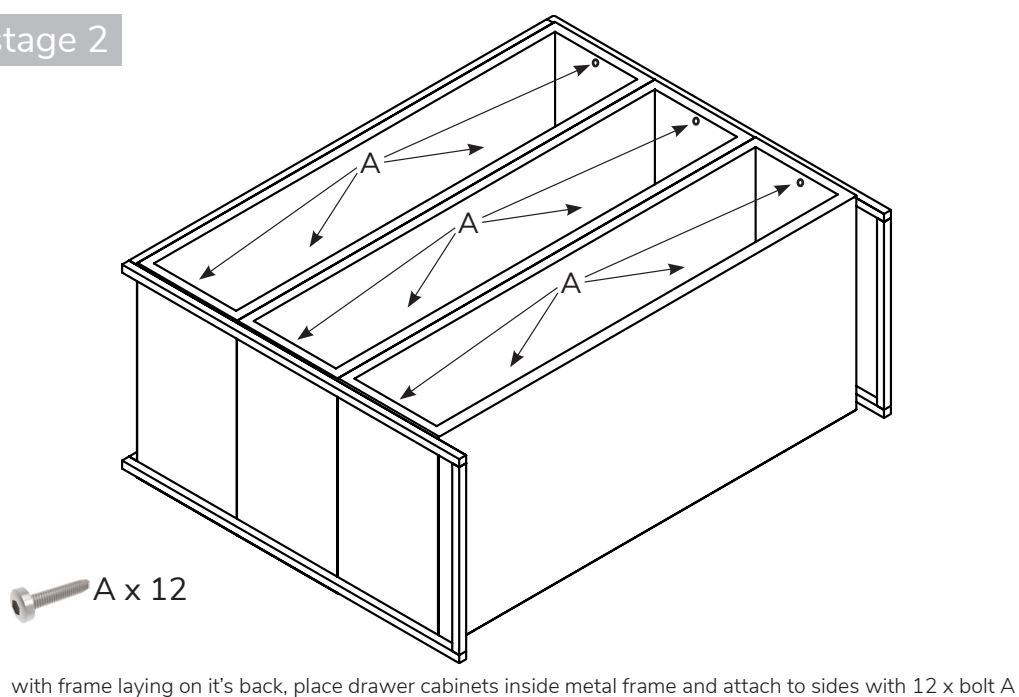


Item **C** = 4mm allen key x 1

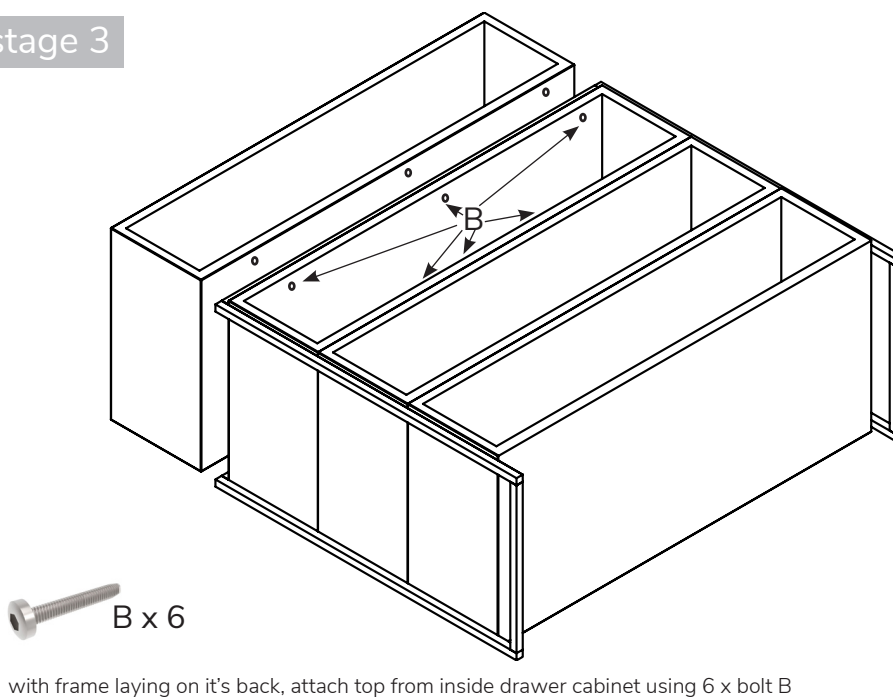
assembly stage 1



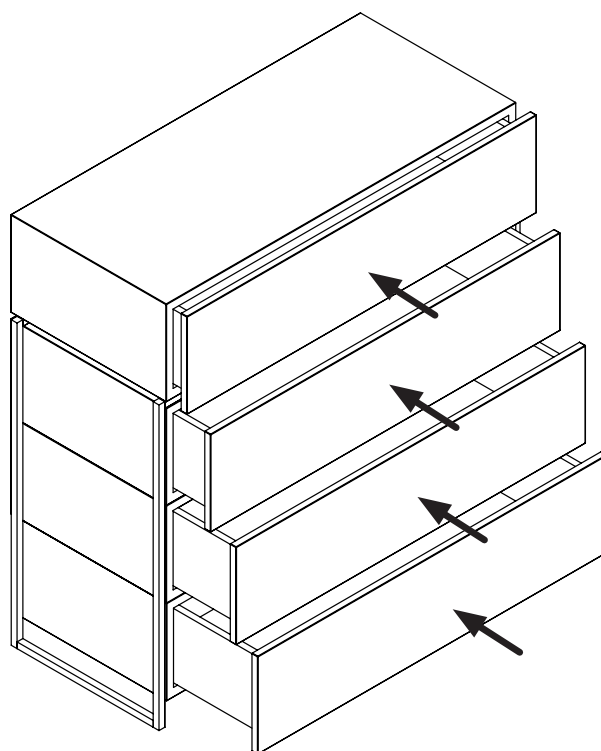
assembly stage 2



assembly stage 3



assembly stage 4



return frame to upright position and replace drawers onto runners - ensure catch is engaged on runners and drawers are held firm.



GILLMORE

BRITISH DESIGN

sales@gillmore.co.uk

www.gillmore.co.uk