

# FEDERICO Headboard

Assembly instructions

Basic

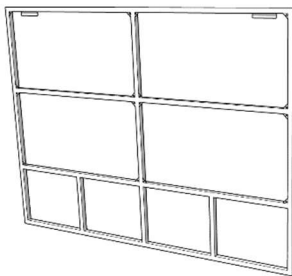


20-30  
Minutes



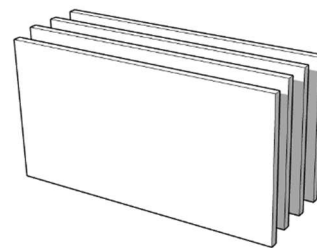
## Parts

Carton 1



Headboard Frame

Carton 2



Wooden Panels

## Hardware Included



**Item A** – 16 x Bolt (M6 x 10) – **Carton 2**



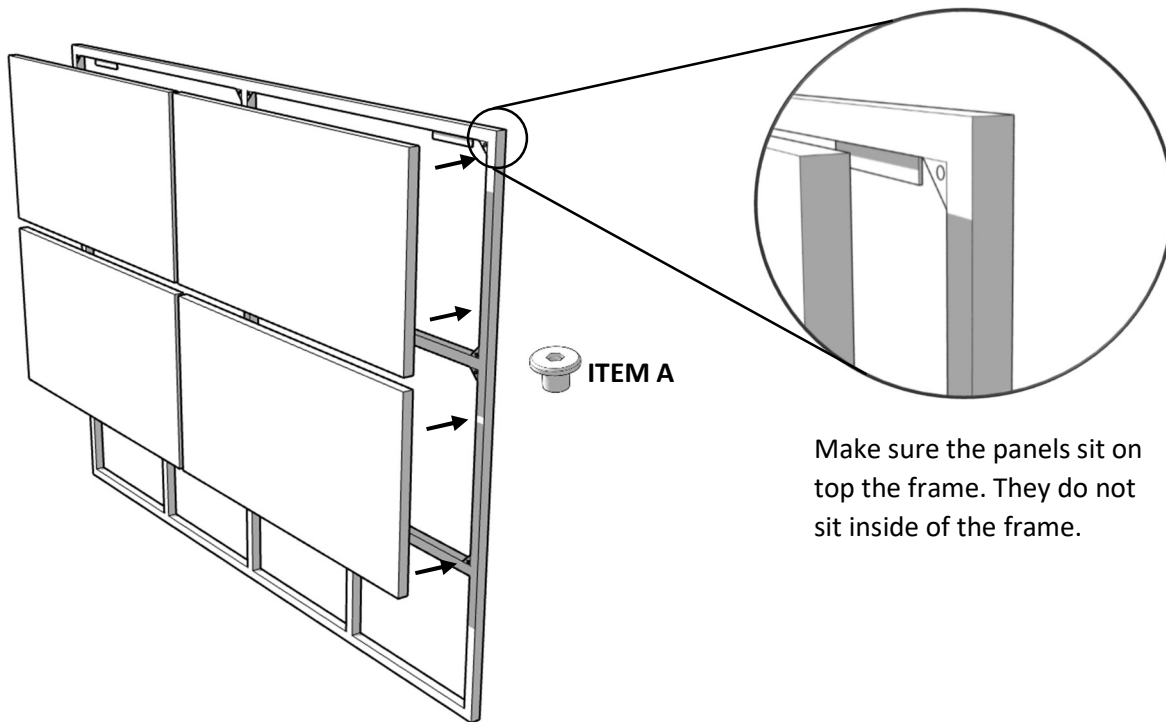
**Item B** – 2 x Wall Mount Fixtures – **Carton 1**

*\*There will be other pieces of hardware included with this headboard that are not required. Please refer to the list above and discard any unused hardware.*

## Assembly Stages

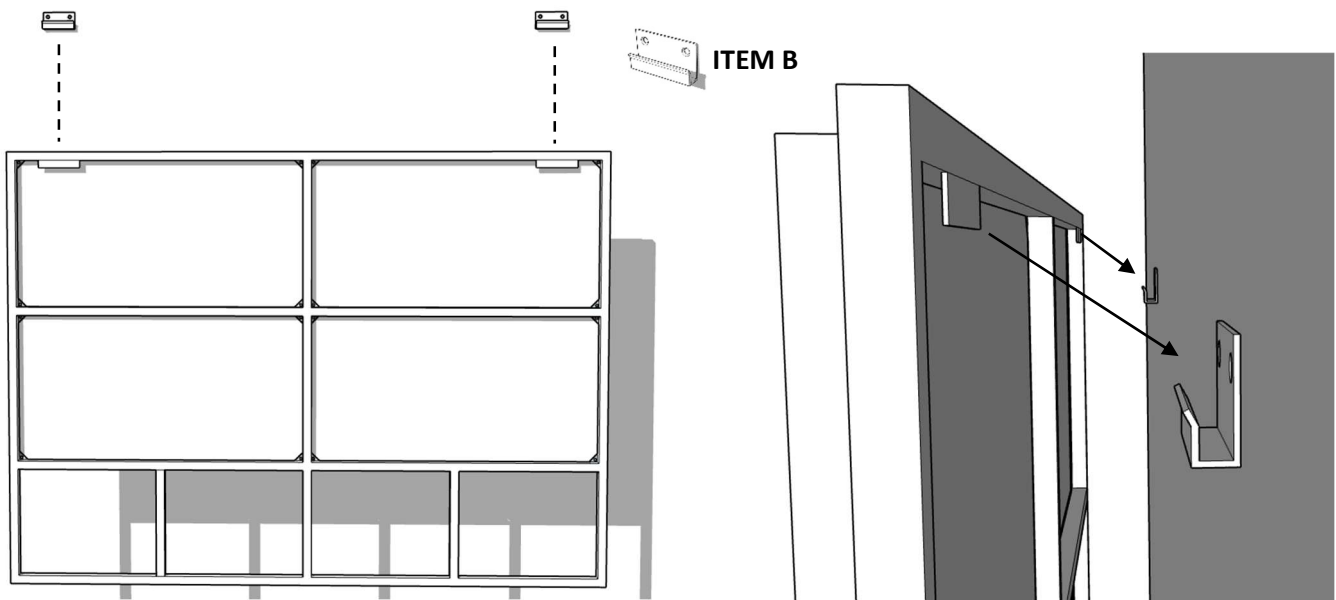
### Stage 1

Using the 16 bolts (**Item A**), fix each wooden panel to the frame. Each panel requires 4 bolts, we would advise partially screwing in all 4 before fully tightening.



### Stage 2

Once all 4 panels are fixed in place the headboard can be hung to the wall. We provide the hanging brackets (**Item B**), but you need to source suitable wall fixings depending on the type of wall.



Make sure the wall mounts align with the hanging tabs on the headboard.

Proceed to hang the headboard onto the brackets