

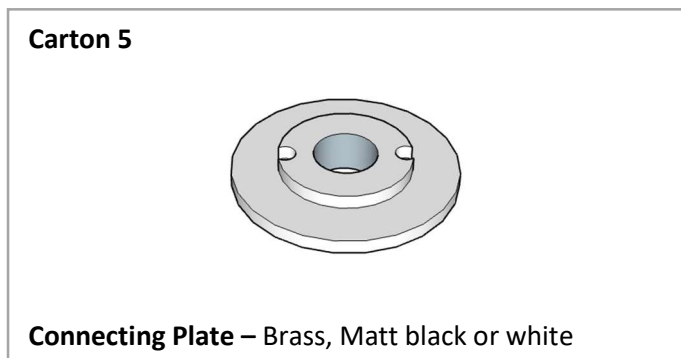
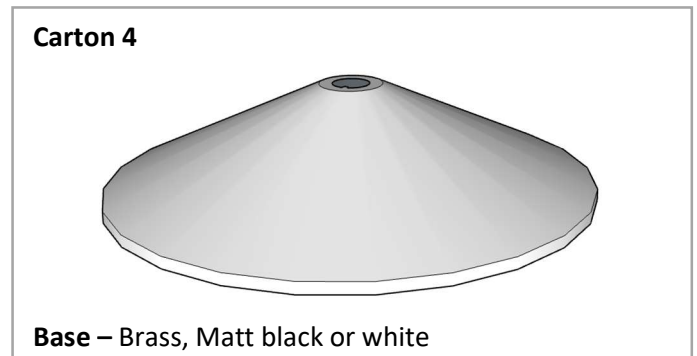
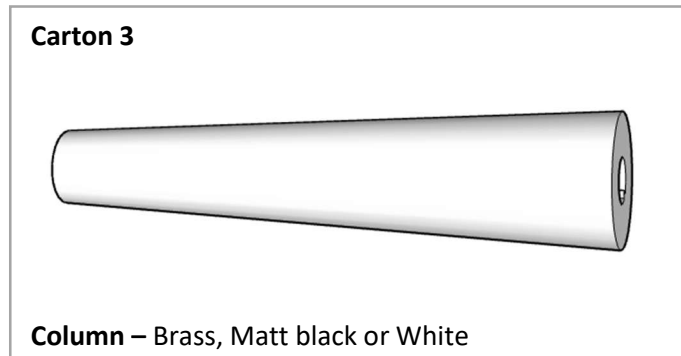
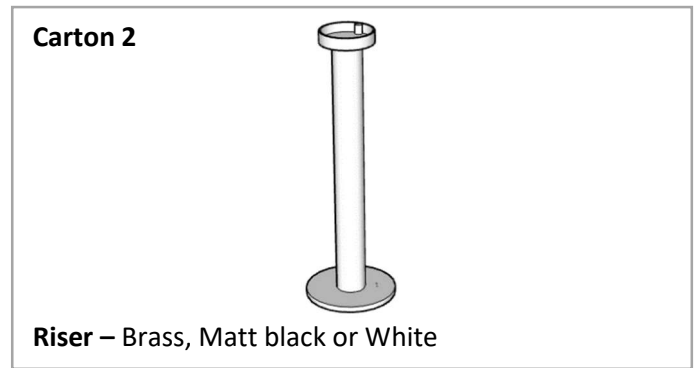
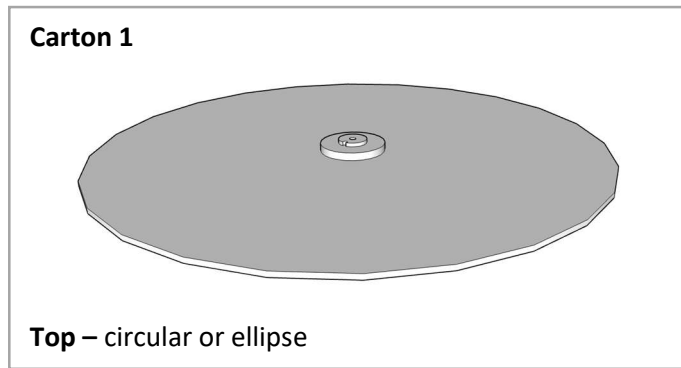
IONA Bar Table

Assembly instructions

Medium  20-30 Minutes



Parts



Hardware



Item A - 1 x Threaded rod (24cm) **Carton 2**



Item B - 2 x Rod connector nut **Carton 2 and 3**



Item C - 1 x Threaded rod (60cm) **Carton 3**



Item D - 1 x Threaded rod (13.5cm) **Carton 4**



Item E - 1 x Locking nut **Carton 4**

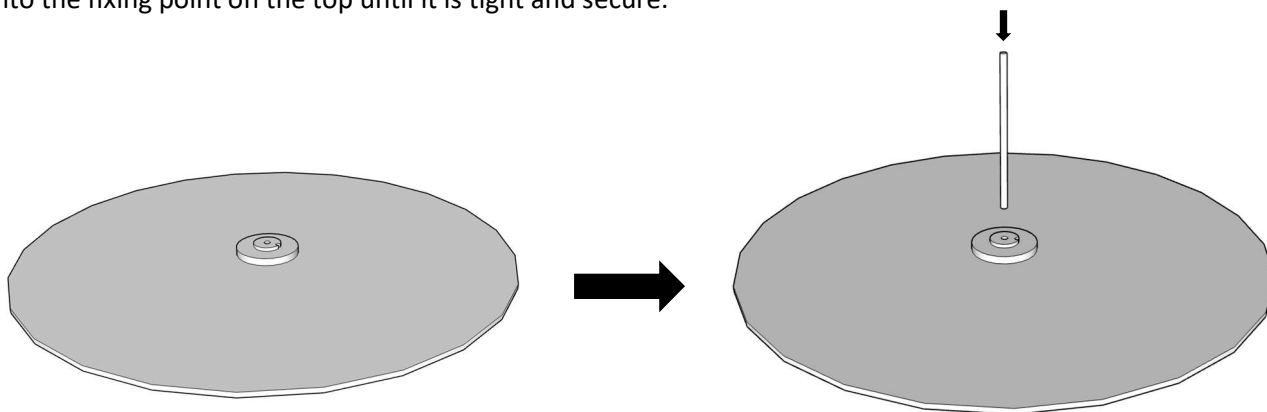


Item F - 1 x Spanner (Tube shaped) **Carton 4**

Assembly Stages

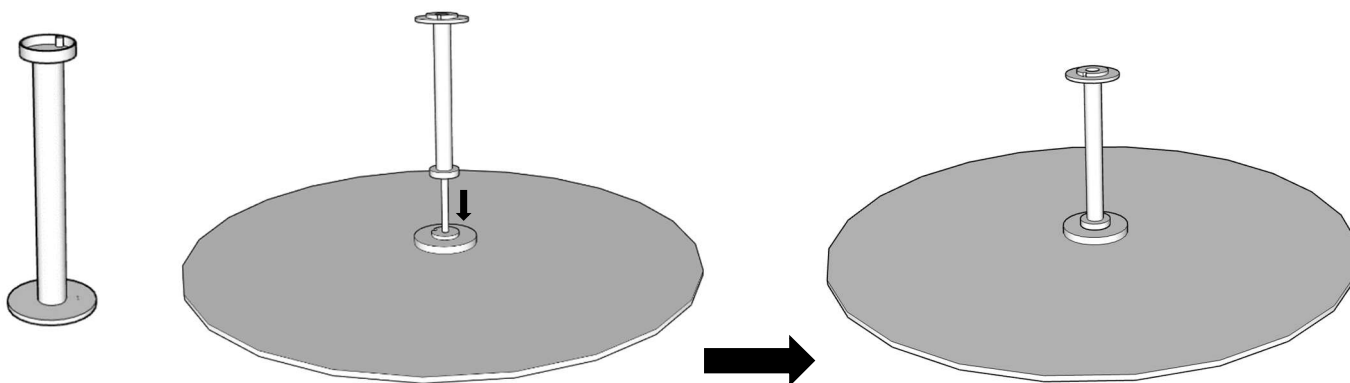
Stage 1

Lay the top upside down so the central fixing point is facing upwards. Take the threaded rod (**Item A**) and screw this into the fixing point on the top until it is tight and secure.



Stage 2

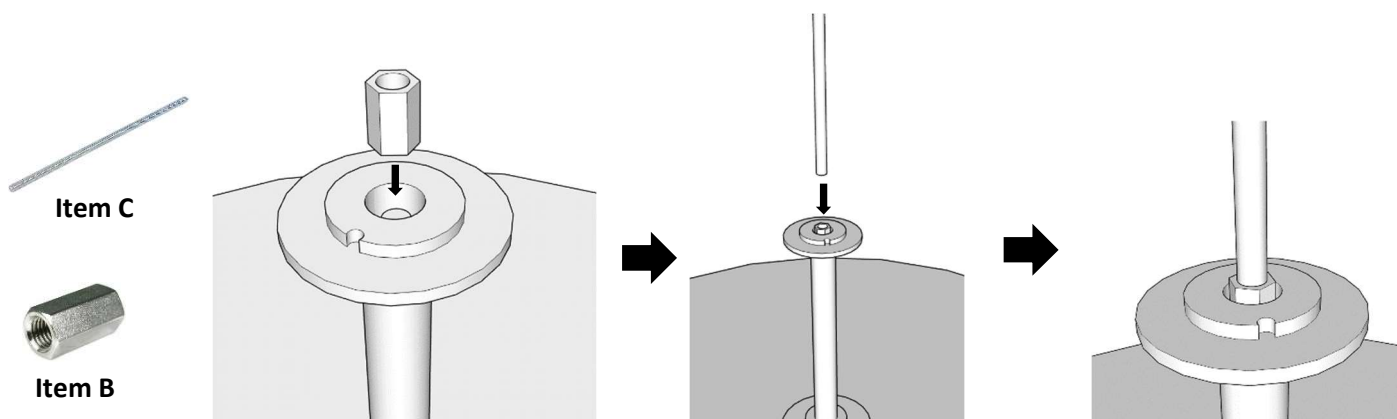
Take the Riser from **Carton 2** and gently slide it over the threaded rod until it reaches the fixing point. Make sure the locking tooth on the riser drops into its matching slot.



Stage 3

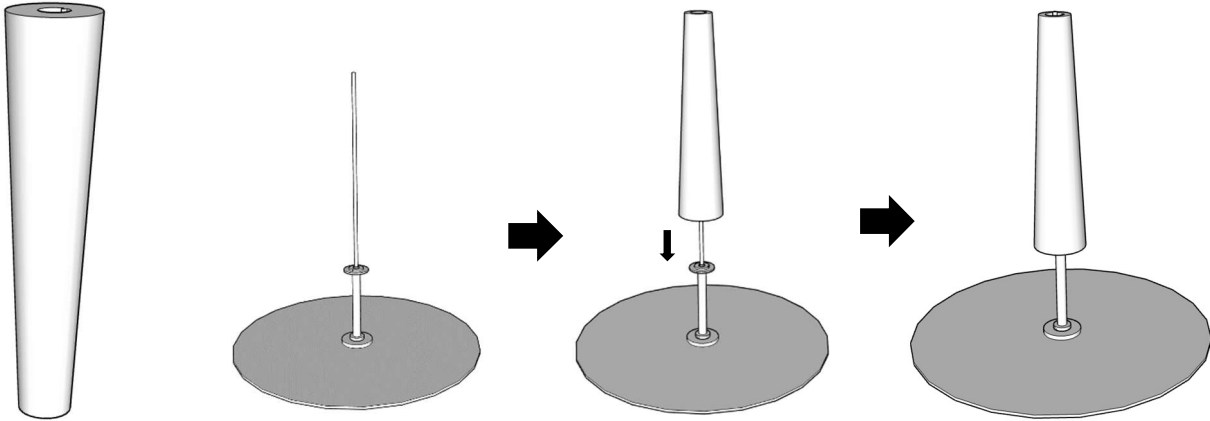
Next, you need to extend the threaded rod using the Rod connector nut (**Item B**) and the other threaded rod (**Item C**).

Screw half of **connector nut** onto the fixed threaded rod so the other half can be used with the other threaded rod.



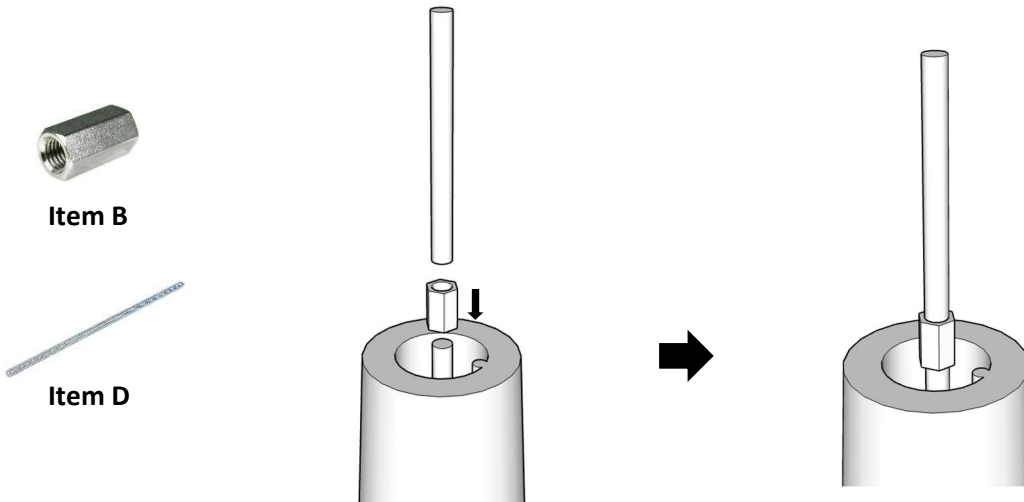
Stage 4

Slide the **Column (Carton 3)** over the threaded rod so the locking tooth drops in place.



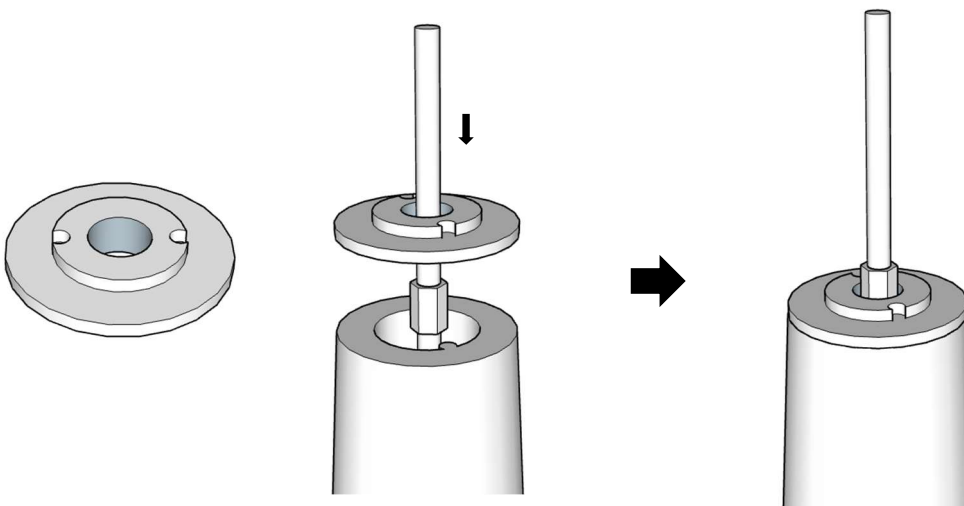
Stage 5

Next, you need to extend the threaded rod using the Rod connector nut (**Item B**) and the Threaded rod (**Item D**)



Stage 8

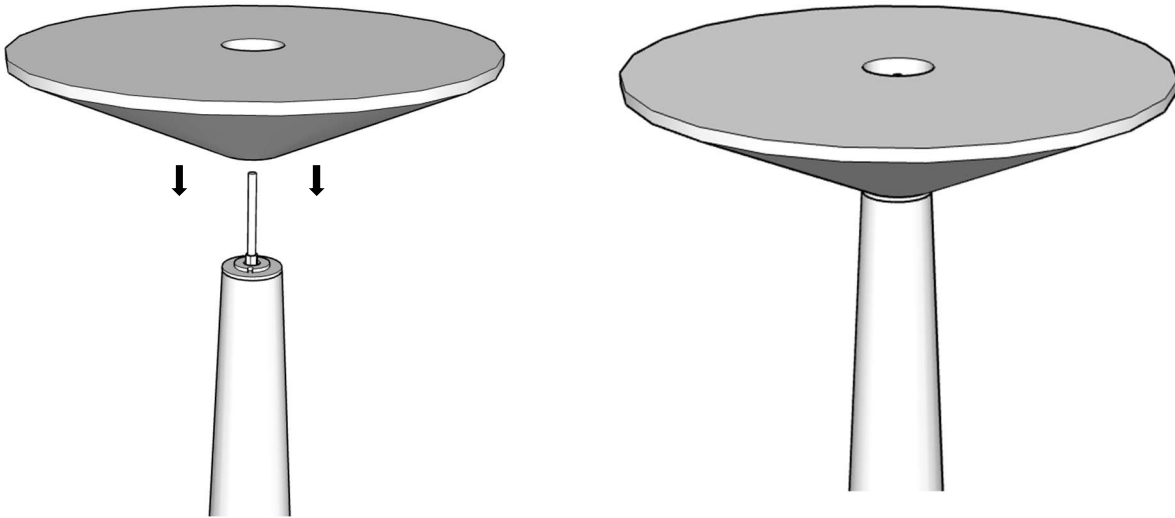
Slide the **connecting plate (Carton 5)** over the rod so it sits on the **Tapered column**. Make sure the locking tooth drops into the matching slot on the connecting plate.



Stage 9 (Two people)

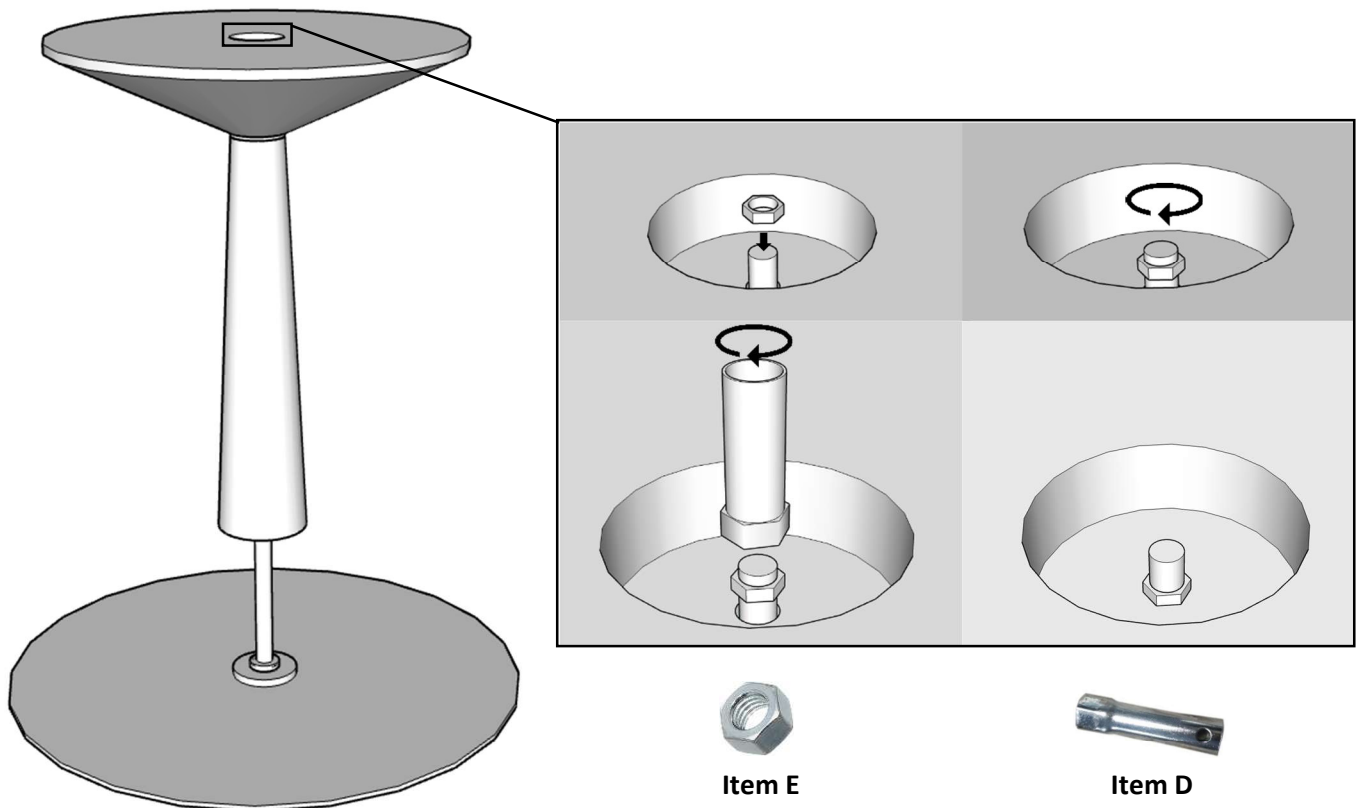
Take the **Base (Carton 4)** and slide it over the **Threaded rod** making sure the locking tooth on the base drops in place.

(If using a concrete base please use 2 or more people at this stage)



Stage 10

Screw the **Locking nut (Item E)** onto the threaded rod and tighten with the **spanner (Item F)**.



Stage 11

Once the bolt has been fully tightened you can flip the table up the correct way. **You will require a minimum of 2 people for this. WARNING: DO NOT pivot the table on its top when turning over. Due to the weight of the base this could damage the top.**

