

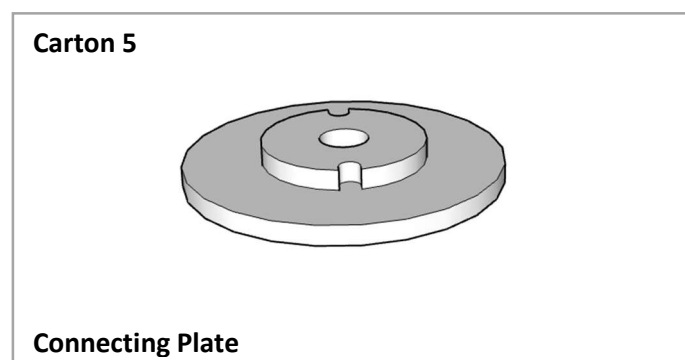
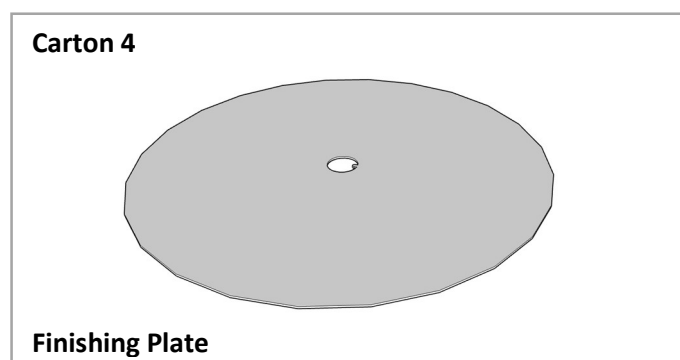
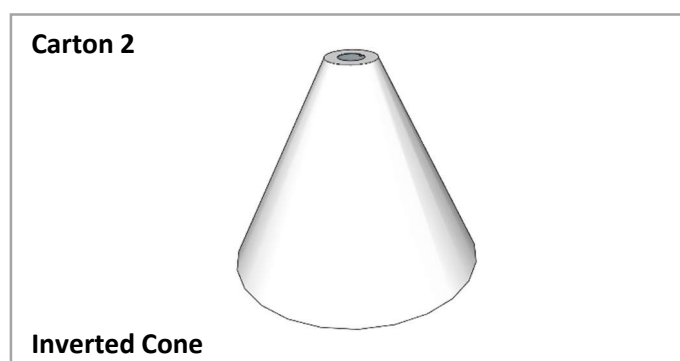
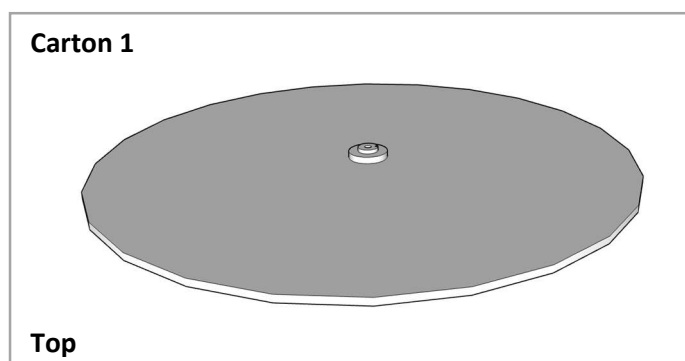
IONA Coffee Table

Assembly instructions

Basic  20-30
Minutes



Parts



Hardware



Item A - 1 x Threaded rod (33cm) **Carton 2**



Item B - 1 x Rod connector nut **Carton 2**



Item C - 1 x Threaded rod (13.5cm) **Carton 3**



Item E - 1 x Locking nut **Carton 2**



Item F - 1 x Spanner (Tube shaped) **Carton 3**

Please note

The hardware listed is what you require to build the table.

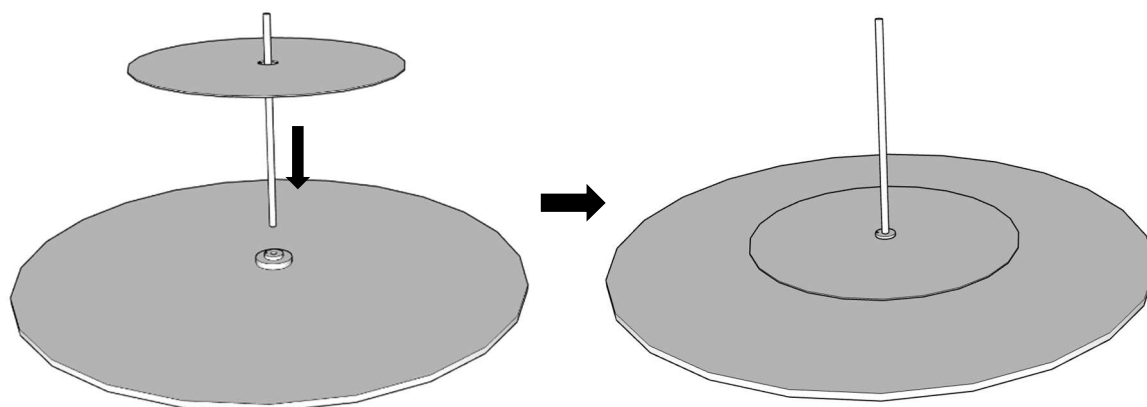
The IONA range of tables share components with one another so you will have extra hardware left over.

Please do not be alarmed by this.

Assembly Stages

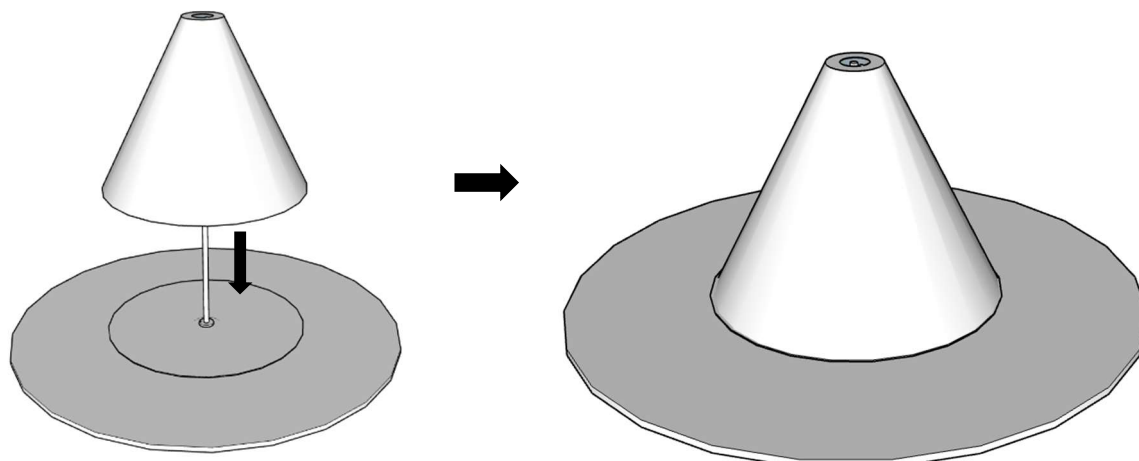
Stage 1

Lay the top upside down so the central fixing point is facing upwards. Take the **Finishing plate** from **Carton 4** and slot it onto the fixing point of the top. Take the **Threaded rod (item A)** and screw it into the centre of the fixing point on the top until it is tight.



Stage 2

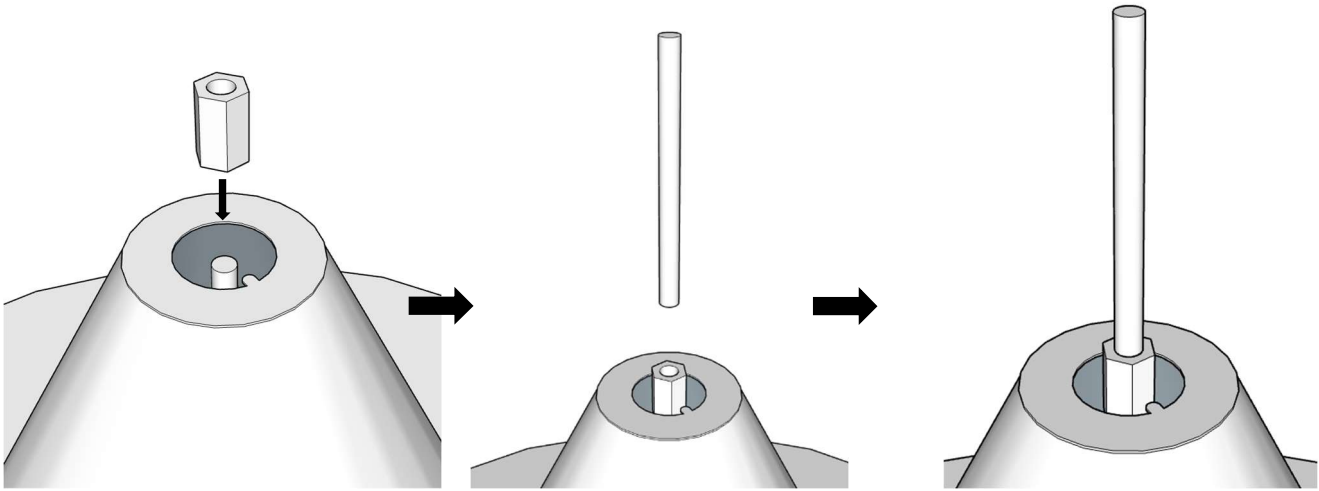
Guide the **Inverted cone (Carton 2)** over the threaded rod like pictured below.



Stage 3

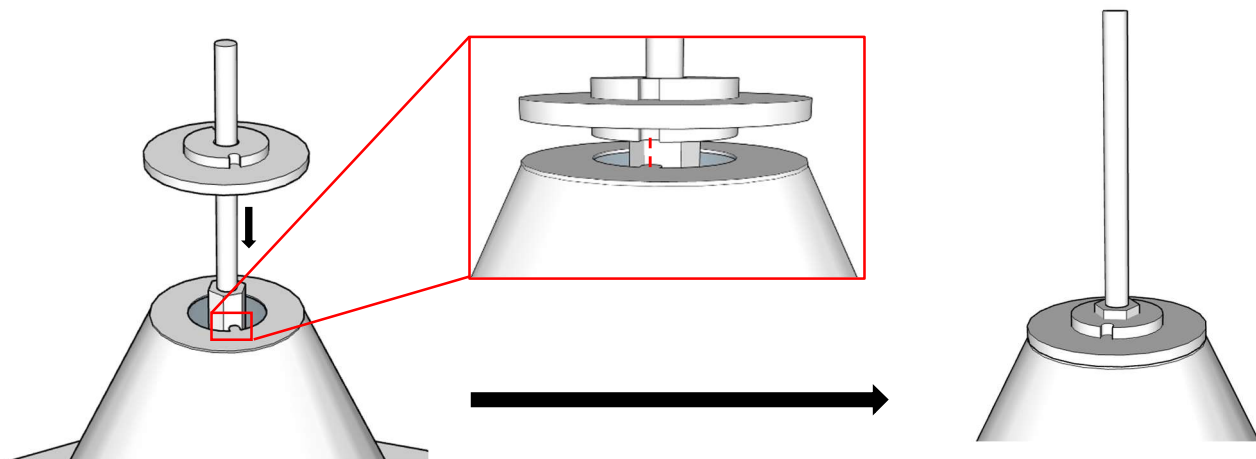
Next you need to extend the threaded rod using **Item B** and **item C**.

Screw half of the **Connector nut (Item B)** onto the threaded rod inside of the Inverted cone. Then screw the smaller **Threaded rod (Item C)** into the rest of the connector nut.



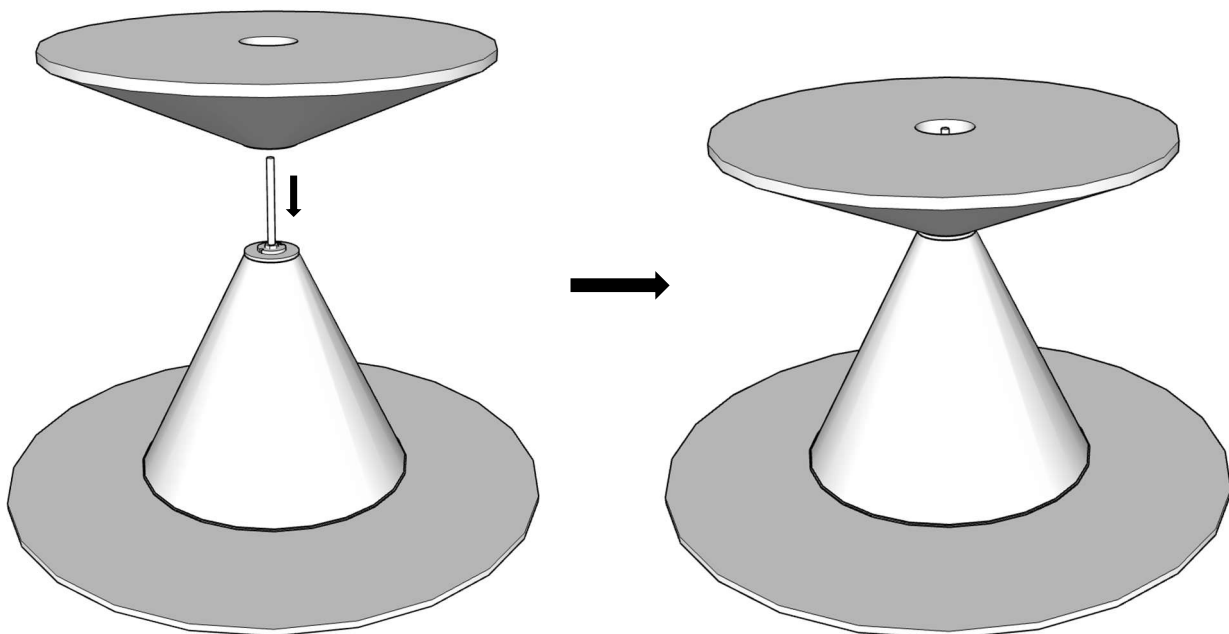
Stage 4

Slide the **Connecting plate (Carton 5)** over the threaded rod so the tooth drops into its matching slot.



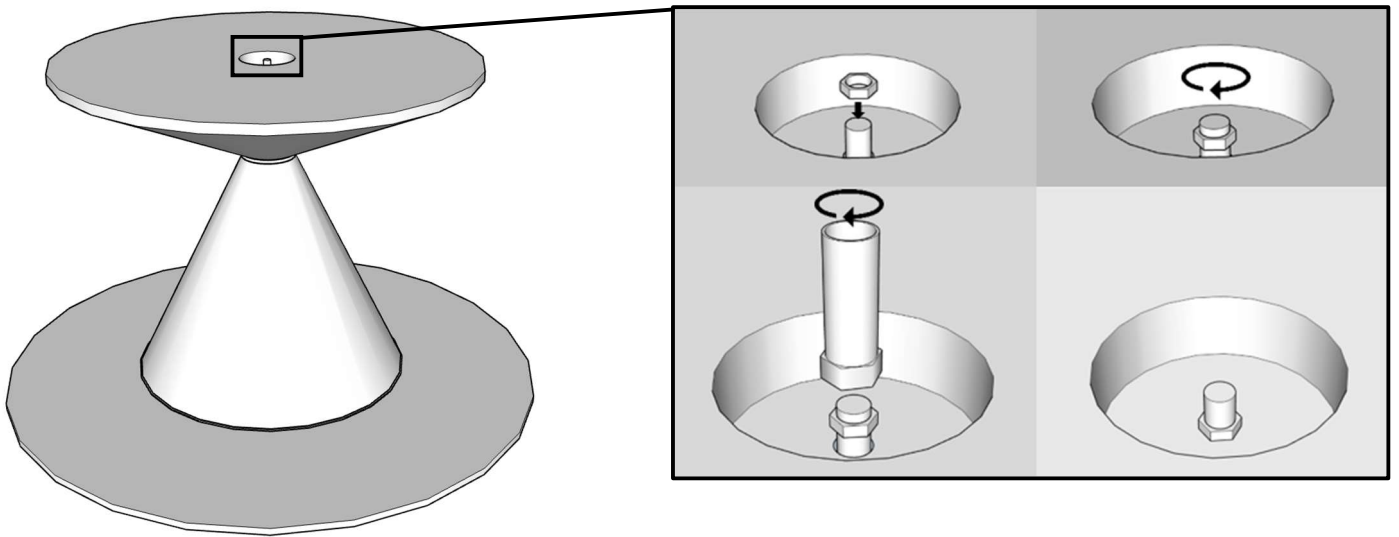
Stage 5

Slide the **Base (Carton 3)** over the threaded rod so the tooth on the base drops into its matching slot on the Connecting plate.



Stage 6

Using **Items E + F**, securely tighten the locking bolt onto the remaining threaded rod.



Once the bolt has been fully tightened you can flip the table up the correct way. **You will require a minimum of 2 people for this. WARNING: DO NOT pivot the table on its top when turning over. Due to the weight of the base this could damage the top. Lift the Top table off the floor and flip it over**

