

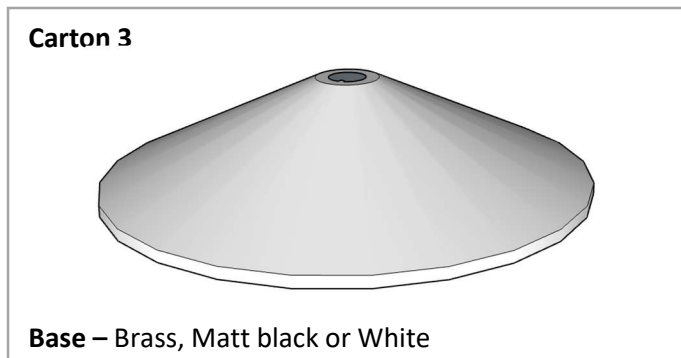
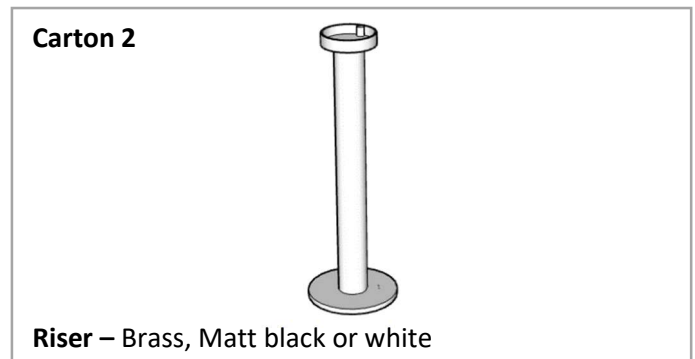
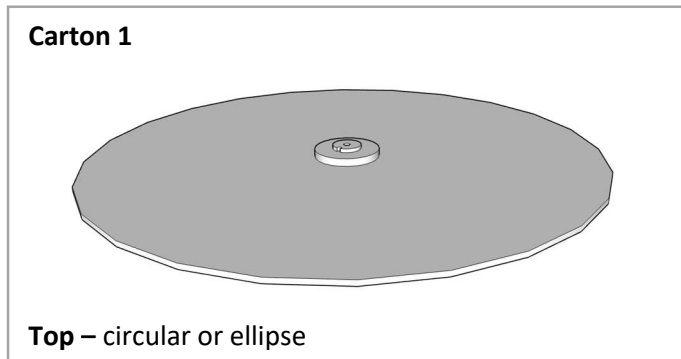
IONA Coffee Table

Assembly instructions

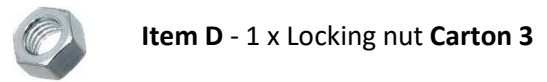
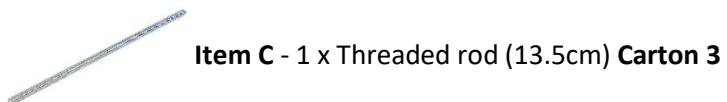
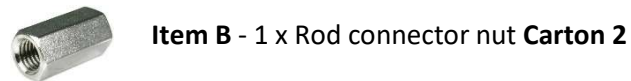
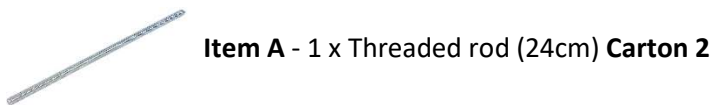
Basic  20-30
Minutes



Parts



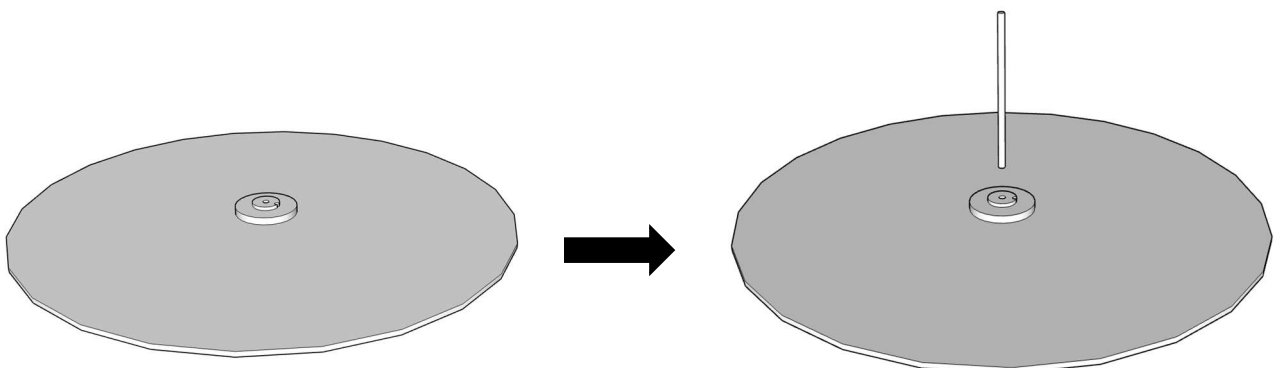
Hardware



Assembly Stages

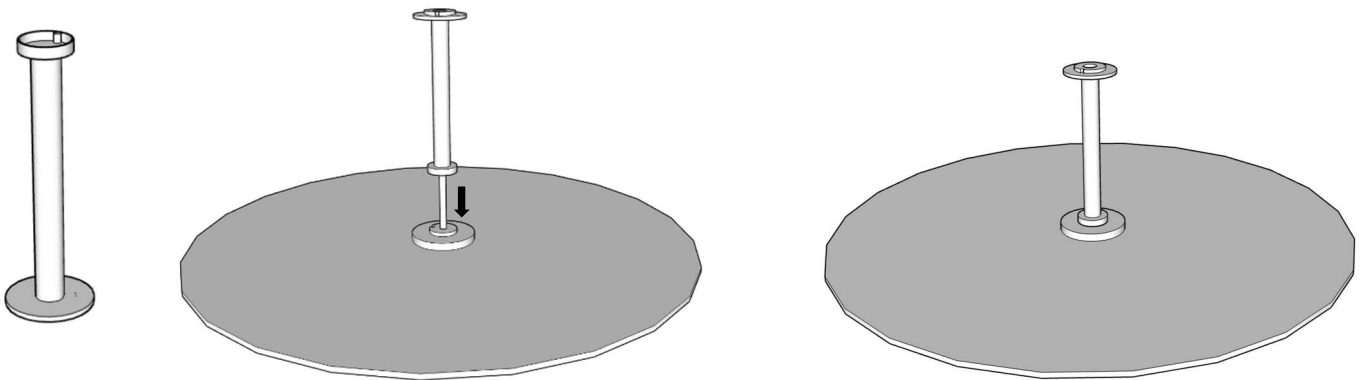
Stage 1

Lay the top upside down so the central fixing point is facing upwards. Take the threaded rod (**Item A**) and screw this into the fixing point on the top until it is tight and secure.



Stage 2

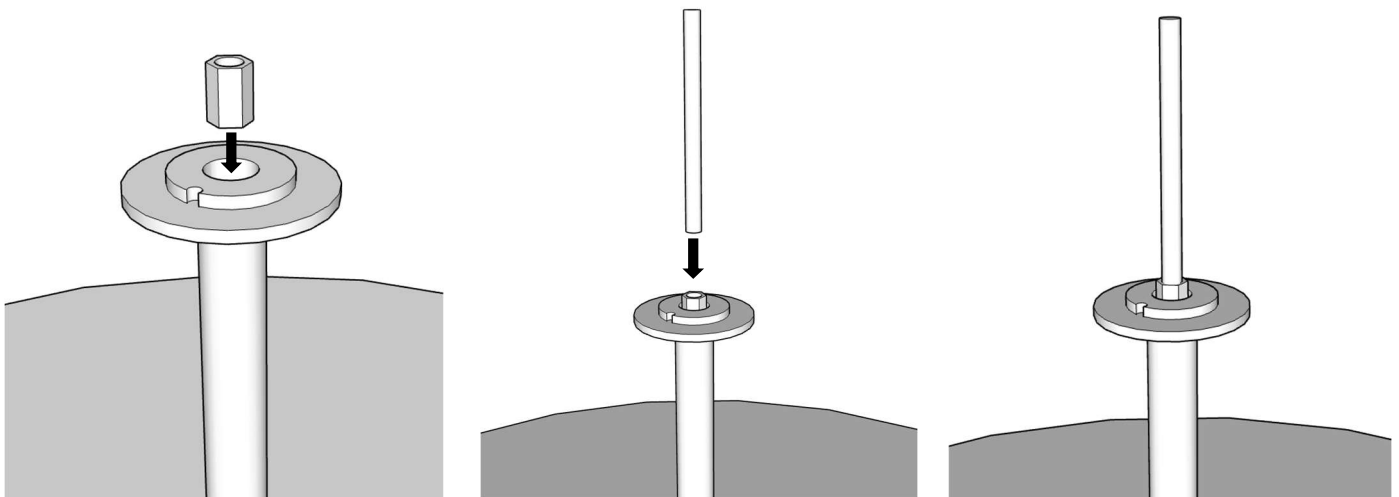
Take the **Riser** from **Carton 2** and gently slide it over the threaded rod until it reaches the fixing point. Make sure the locking tooth on the riser drops into its matching slot.



Stage 3

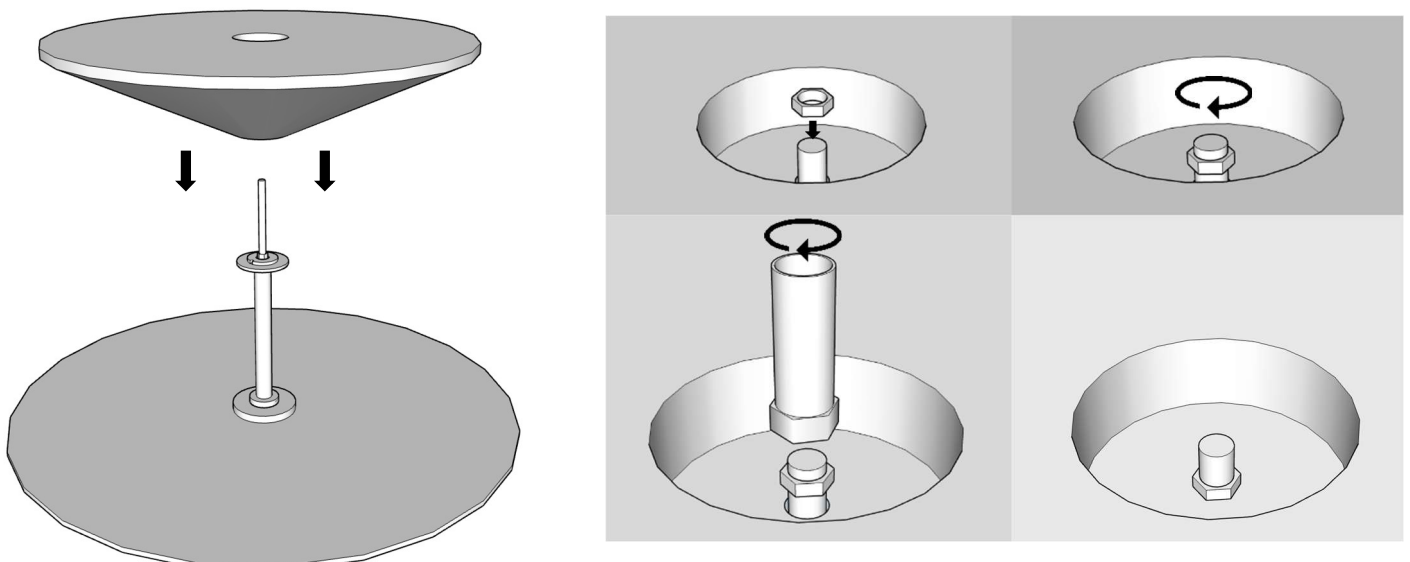
Next, you need to extend the threaded rod using the Rod connector nut (**Item B**) and the other threaded rod (**Item C**).

Screw half of **connector nut** onto the fixed threaded rod so the other half can be used with the other threaded rod. Once this is complete proceed to screw the other threaded rod (**Item C**) into the connector nut.



Stage 4

Place the **Base** over the extended threaded rod and align it with the riser making sure the locking tooth slots in place. Screw the locking nut (**Item D**) on the end of the threaded rod and tighten thoroughly with the spanner (**Item E**).



Stage 5

Once the bolt has been fully tightened you can flip the table up the correct way. **You will require a minimum of 2 people for this. WARNING: DO NOT pivot the table on its top when turning over. Due to the weight of the base this could damage the top.**

