

IONA Side Tables

Assembly instructions

Basic

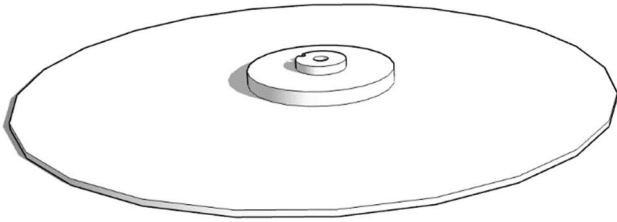


20-30
Minutes



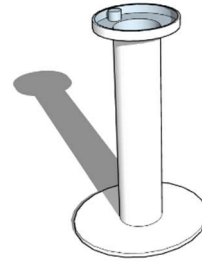
Parts

Carton 1



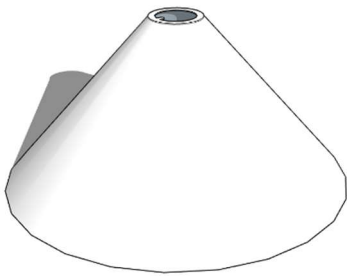
Top – Circular or Ellipse

Carton 2



Riser – Brass, Matt black or white

Carton 3



Base – Brass, Matt black or White

Hardware



Item A - 1 x Threaded rod (24cm) **Carton 2**



Item B - 1 x Rod connector nut **Carton 2**



Item C - 1 x Threaded rod (33cm) **Carton 3**



Item D - 5 x Felt feet **Carton 3**



Item E - 1 x Locking nut **Carton 2**

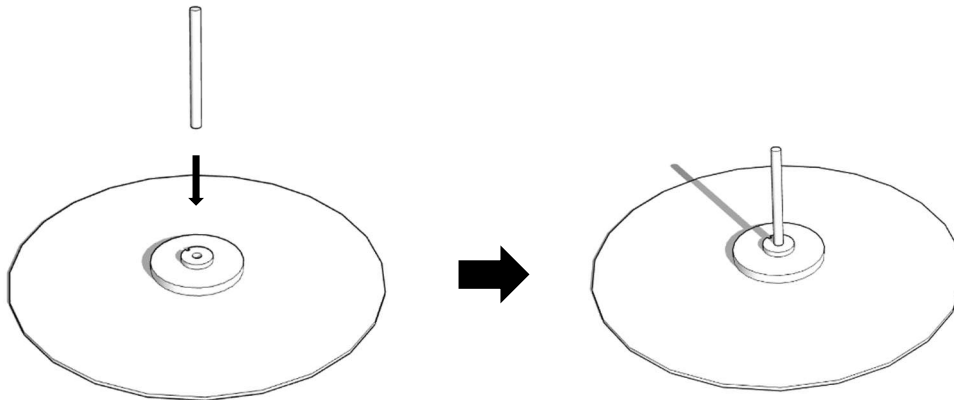


Item F - 1 x Spanner (Tube shaped) **Carton 3**

Assembly Stages

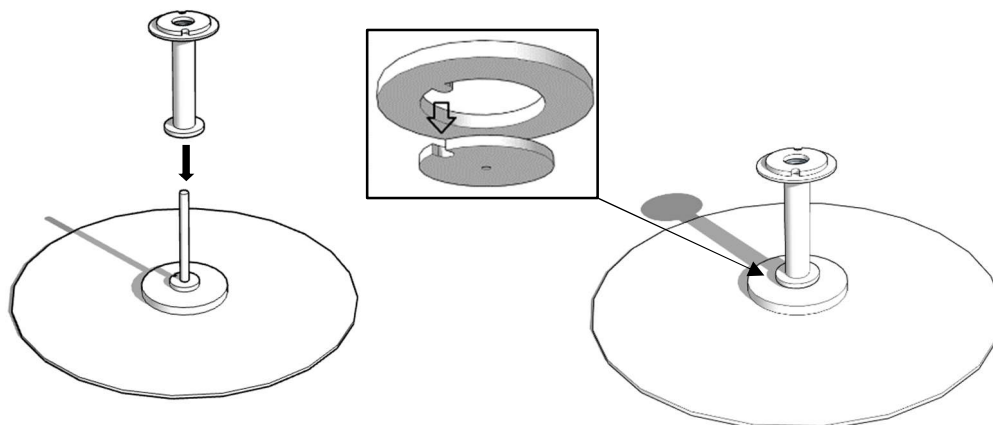
Stage 1

Lay the top upside down so the central fixing point is facing upwards. Take the threaded rod (**Item A**) and screw this into the fixing point on the top until it is tight and secure.



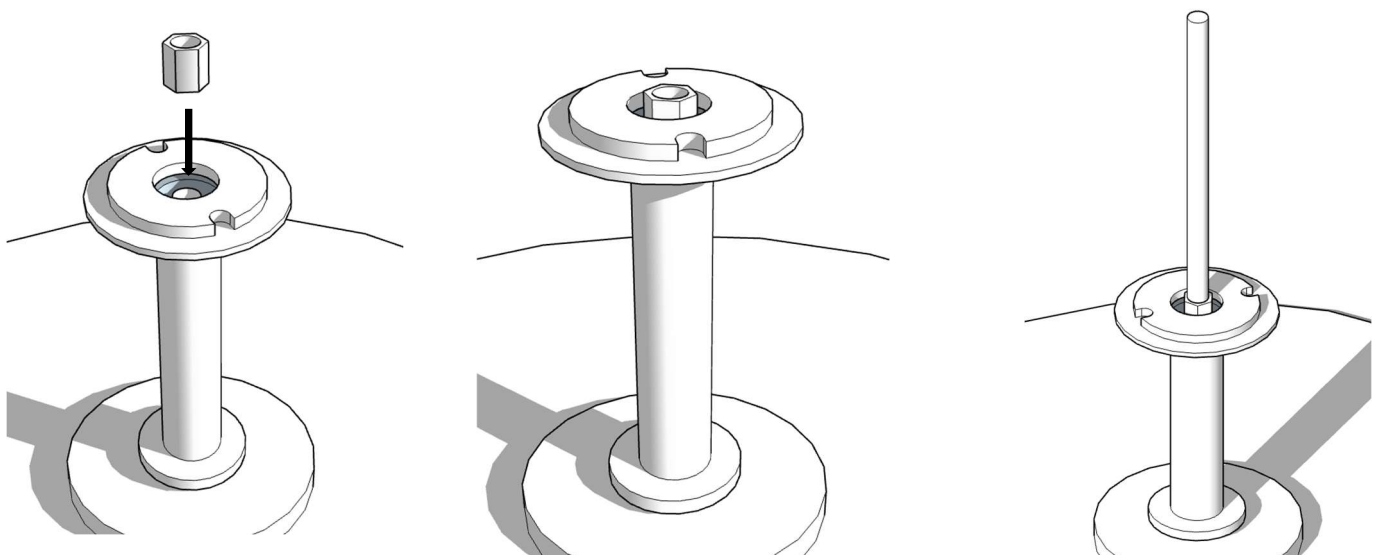
Stage 2

Take the **Riser** from Carton 2 and gently slide it over the threaded rod until it reaches the fixing point. Make sure the locking tooth on the riser drops into its matching slot.



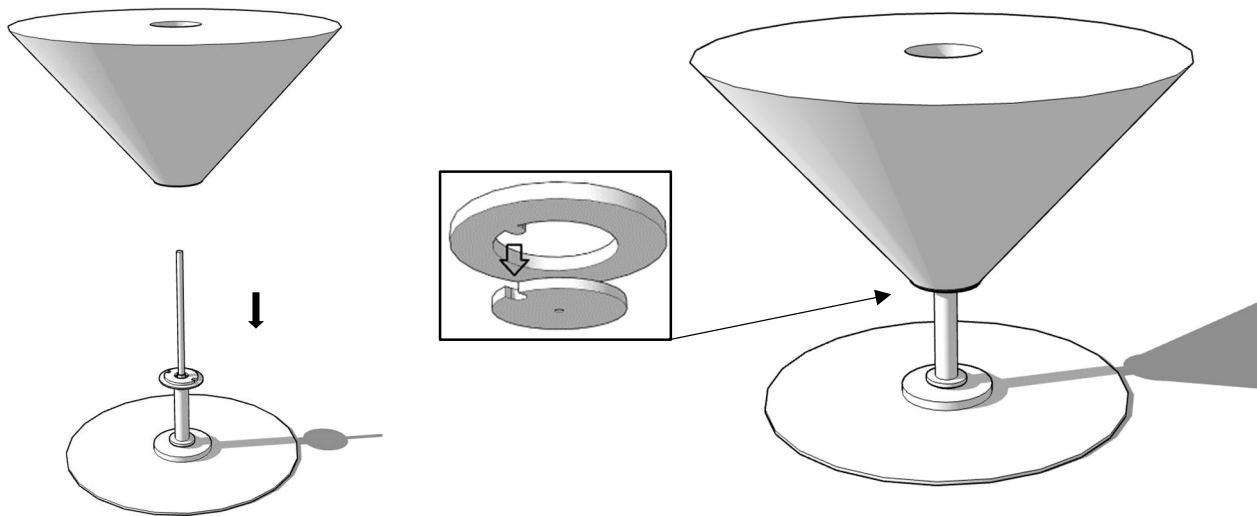
Stage 3

Next, you need to extend the threaded rod using the Rod connector nut (**Item B**) and the other threaded rod (**Item C**). Screw half of **connector nut** onto the fixed threaded rod so the other half of the nut can be used with the other threaded rod.



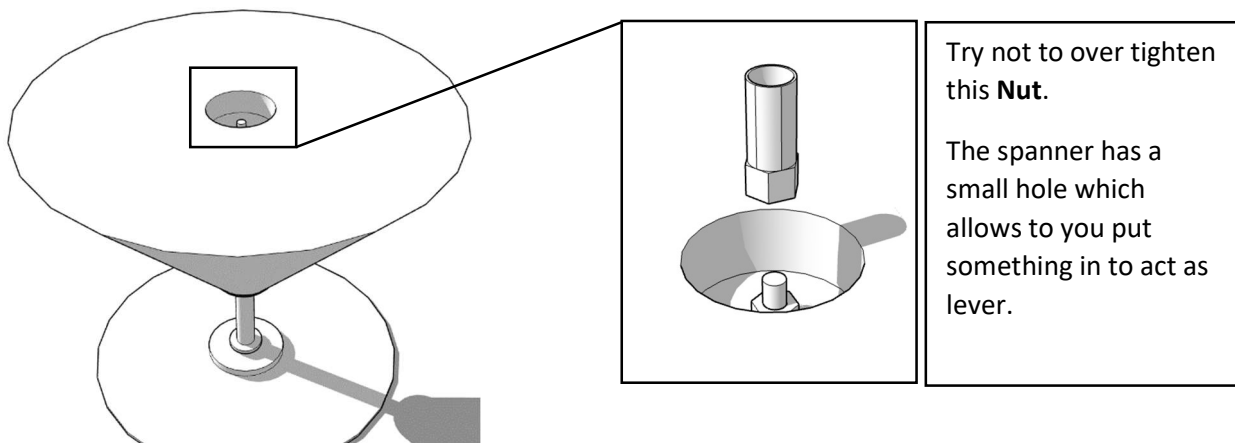
Stage 4

Slide the **Base (Carton 3)** over the threaded rod. Make sure the locking tooth on the base drops into the matching slot.



Stage 5

Take **item E** and screw it onto the remainder of the threaded rod. Use **Item F** to tighten the nut.



Stage 6

Finally stick all of **ITEM D** to the bottom of the base to protect your floor. Once this has been done you can flip the table over. **WARNING: DO NOT pivot the table on its top when turning over. Due to the weight of the base this could damage the top.**

