

IONA Dining Table

Assembly instructions

Basic

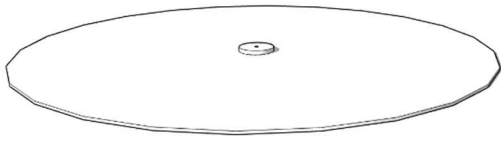


20-30
Minutes



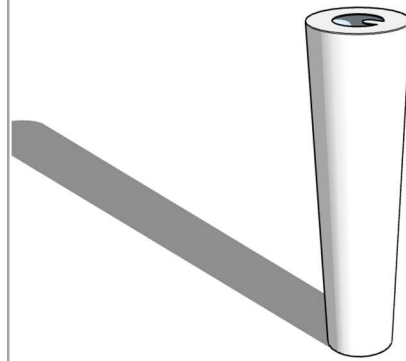
Parts

Carton 1



Top – circular or ellipse

Carton 2



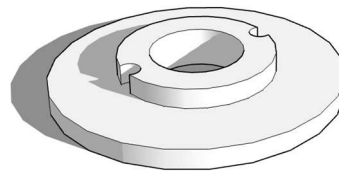
Column – Brass, Matt black or white

Carton 3



Base – Brass, Matt black or White

Carton 4



Connecting Plate – Brass, Matt black or white

Hardware



Item A - 1 x Threaded rod (60cm) **Carton 2**



Item B - 1 x Rod connector nut **Carton 2**



Item C - 1 x Threaded rod (13.5cm) **Carton 3**



Item E - 1 x Locking nut **Carton 2**

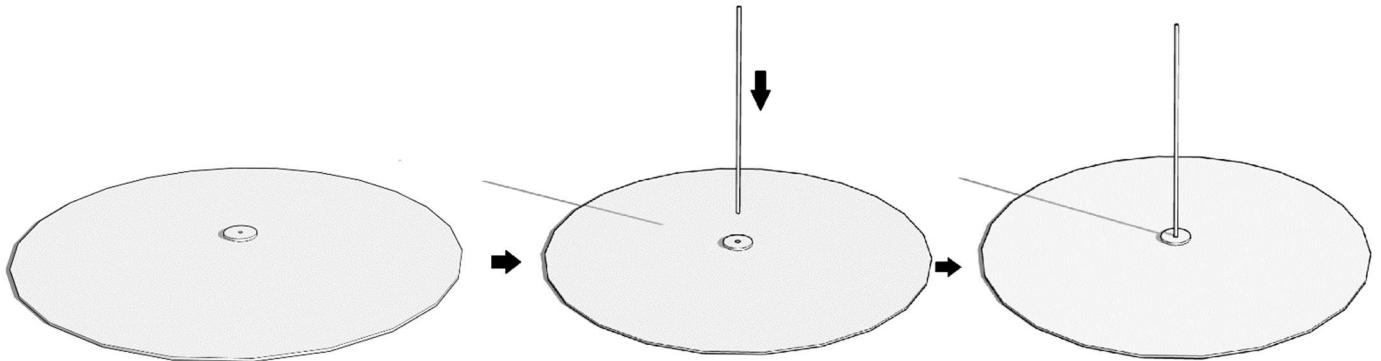


Item F - 1 x Spanner (Tube shaped) **Carton 3**

Assembly Stages

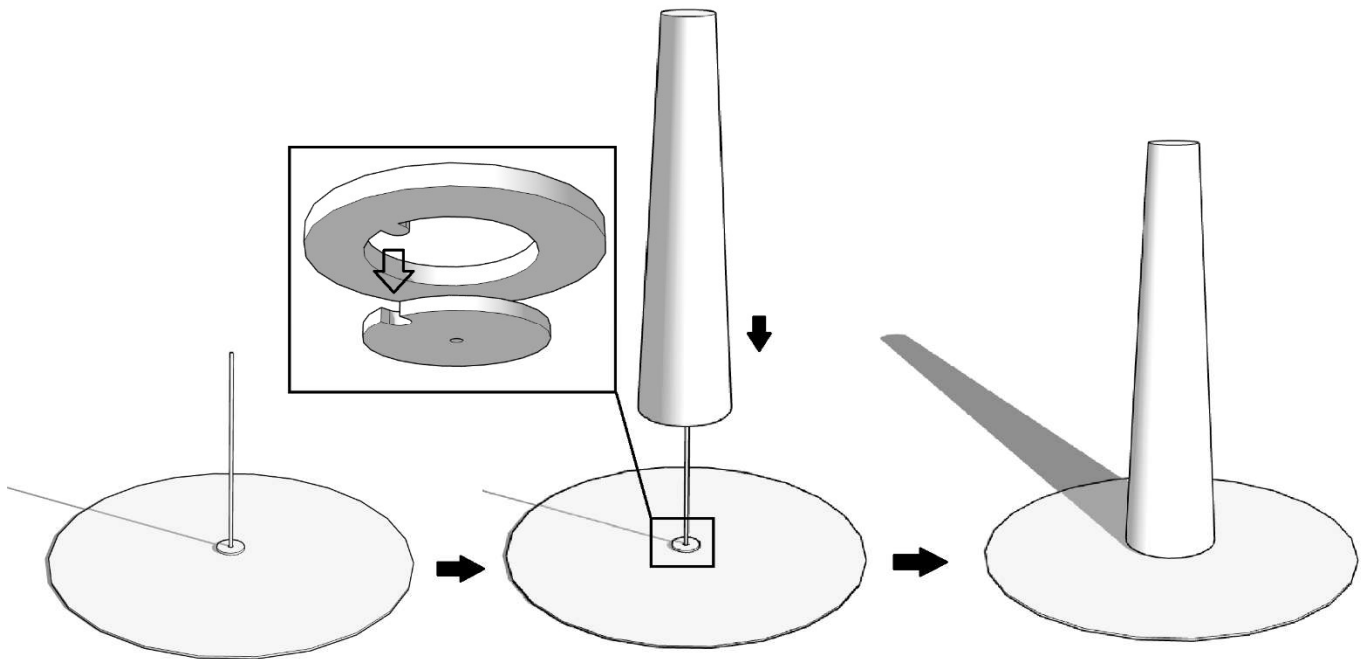
Stage 1

Lay the top upside down so the central fixing point is facing upwards. Take the threaded rod (**Item A**) and screw this into the fixing point on the top until it is tight and secure.



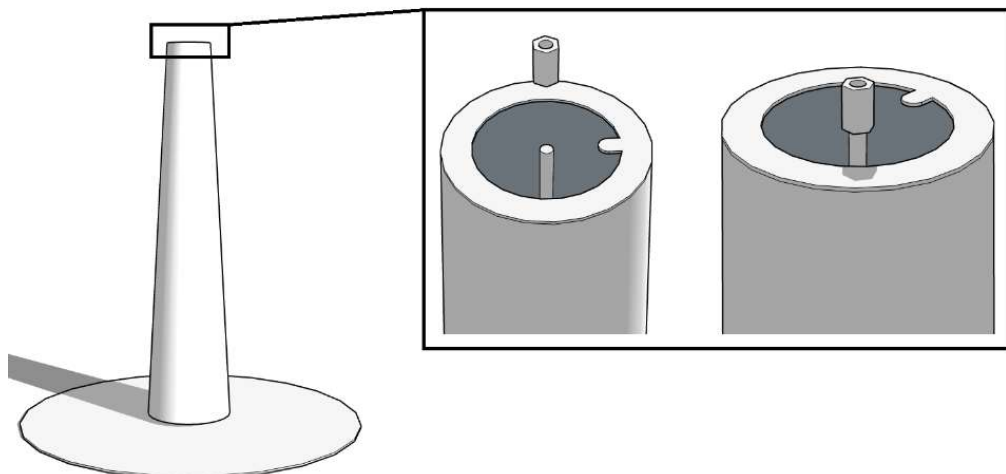
Stage 2

Take the **Column** from Carton 2 and gently slide it over the threaded rod until it reaches the fixing point. Make sure the locking tooth on the Column drops into its matching slot on the **Top**.



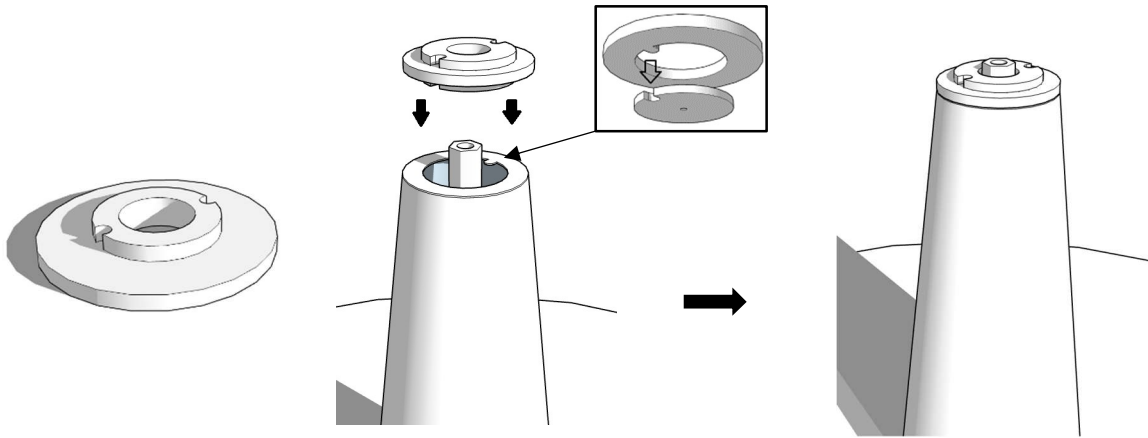
Stage 3

Now column is in place. Screw half of **ITEM B** onto the threaded rod like pictured below.



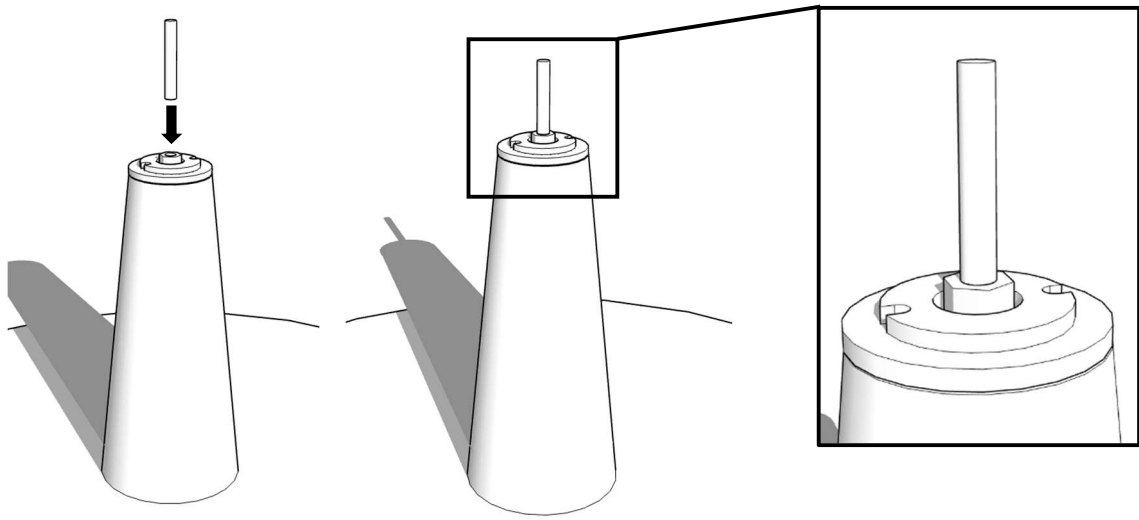
Stage 4

Take the **Connecting plate (Carton 4)** and slot it into **Tapered column** as pictured below.



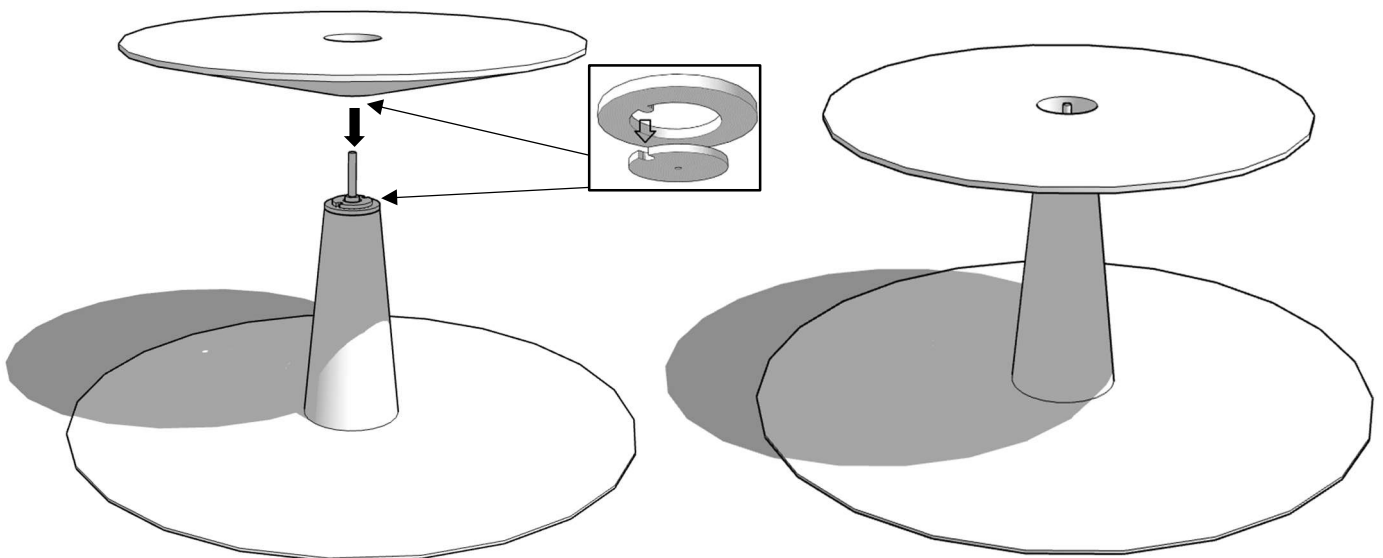
Stage 5

Screw **Item C** into the other end of the connector nut from **Stage 3**.



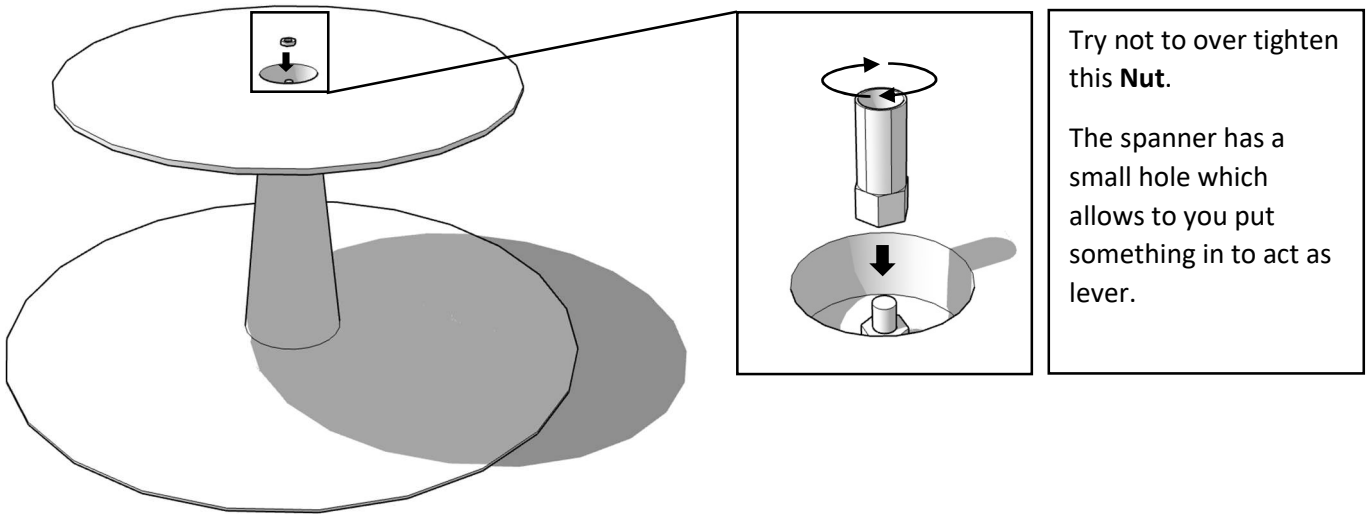
Stage 6

Slide the **Base (carton 3)** over the remaining **threaded rod (Item C)**. Make sure the locking tooth on the Base drops into one of the slots on the **Connecting plate (Carton 4)**.



Stage 7

The final stage of assembly. Screw the **Locking nut (Item D)** onto the threaded rod and tighten with the **spanner (Item E)**.



Try not to over tighten this **Nut**.

The spanner has a small hole which allows to you put something in to act as lever.

Once the bolt has been fully tightened you can flip the table up the correct way. **You will require a minimum of 2 people for this.**

WARNING: DO NOT pivot the table on its top when turning over. Due to the weight of the base this could damage the top.

