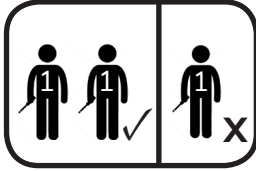


Federico

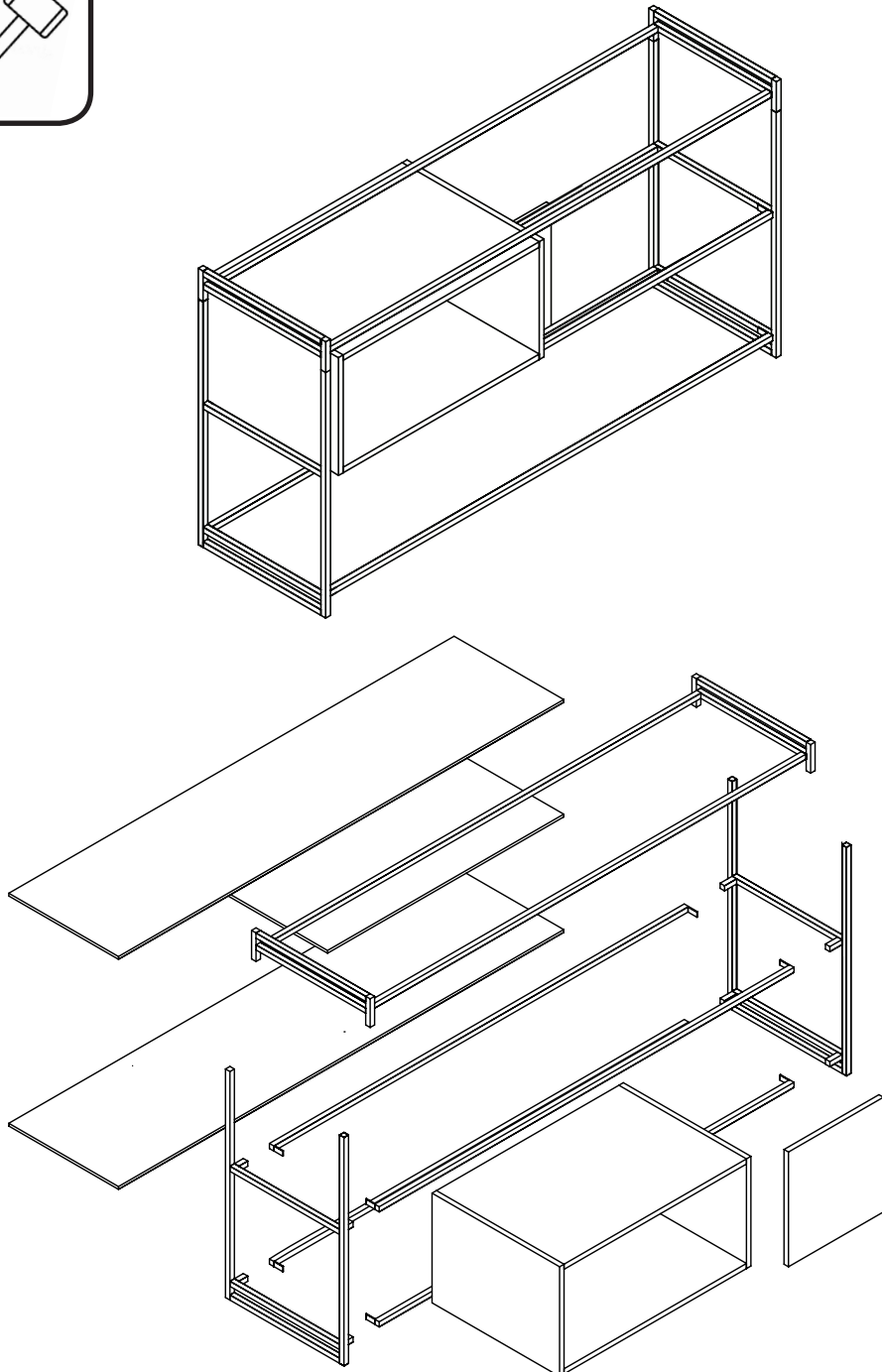
Low Bookcase

Model numbers 118-620/21/22/23/24/25

W1515 H785 D360

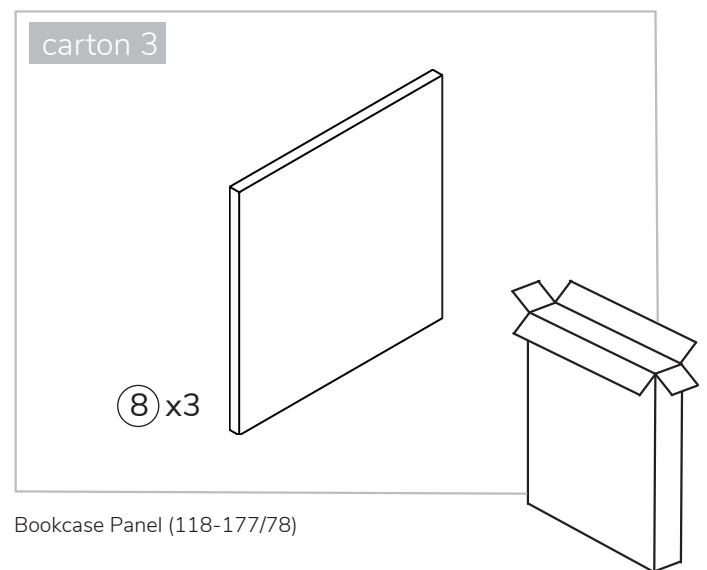
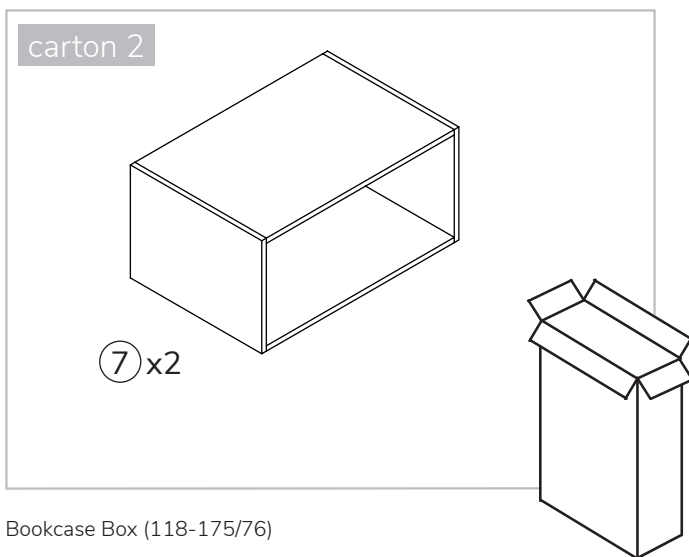
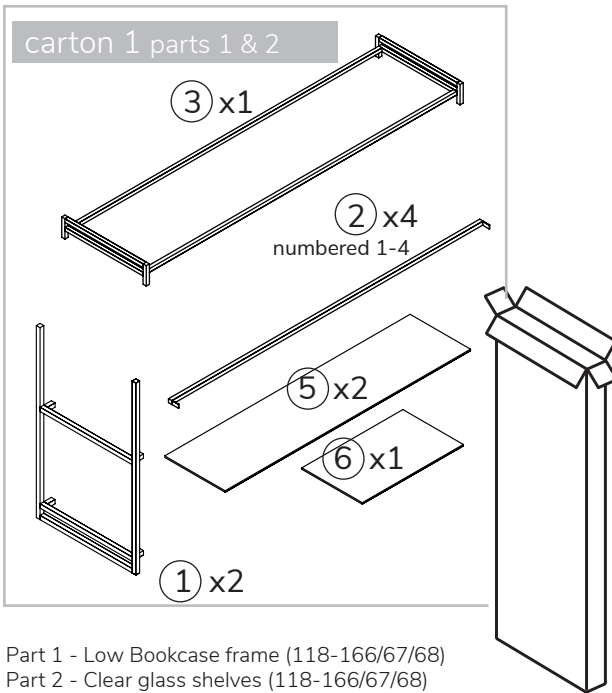


30-60 mins



items

Total cartons = 3 Sku's 4 cartons



hardware



Item A - 8 x M6*10 (Carton 1, Part 1)



Item B - 4 x M4*25 (Carton 1, Part 1)



Item C - 6 x self tapping screws (Carton 1, Part 1)



Item D - Allen Key (Carton 1, Part 1)



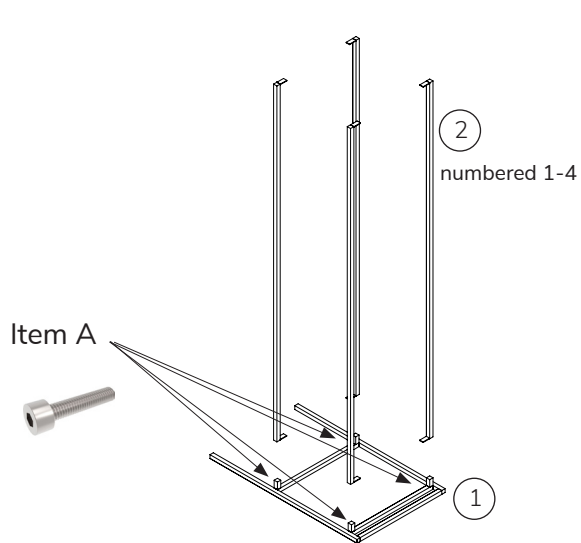
Item E - Plastic suckers (Carton1, Part 2)

assembly stage 1

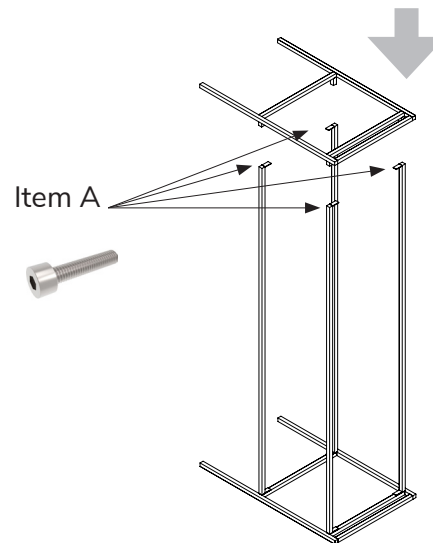
When assembling the frame we found that assembly was best done on its side. The frame is made up of 3 essential components;

SIDES, HORIZONTALS, TOP FRAME

Place one of the side frames on the floor with the connections facing upwards. Then add the numbered horizontals into the matching number fixture on the side frame.

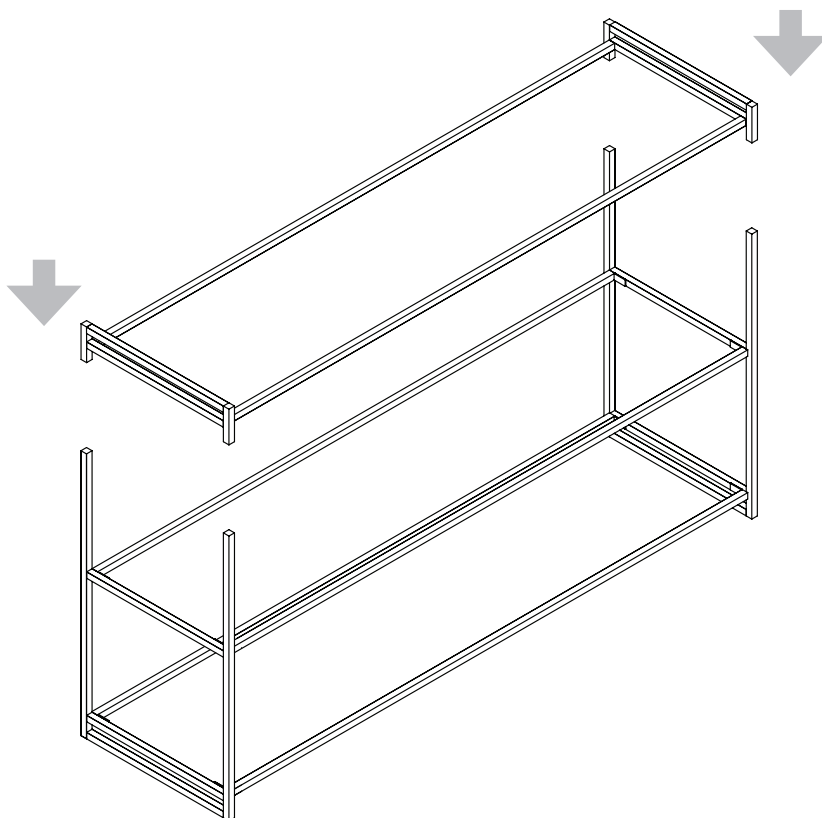


Place one of the side frames on the floor with the connections facing upwards. Then add the numbered horizontals into the matching number fixture on the side frame.



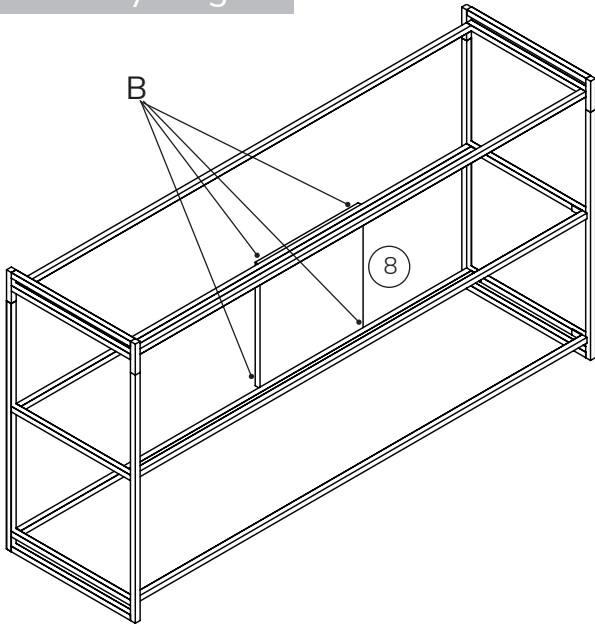
Once they are fixed in place position the other half of the side frame above and locate onto the four rails with the rest of ITEM A. You maybe need a mallet for this stage.

assembly stage 2

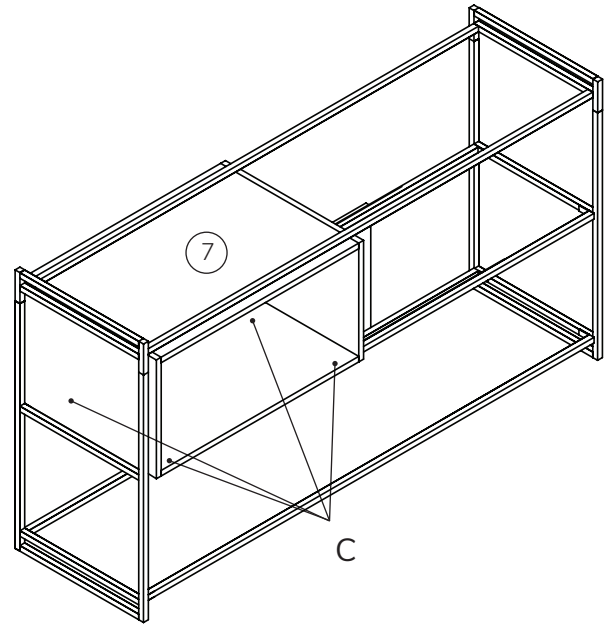


Position top frame over extension frame and slide into place.

assembly stage 3

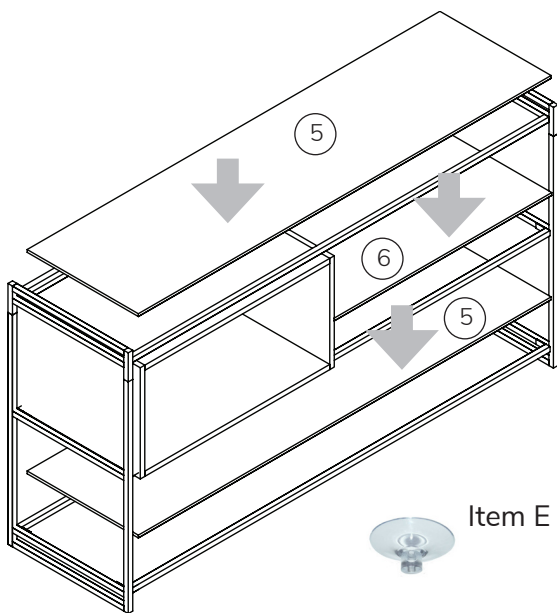


Position and fix panel to the back of the lower and centre rails with screw B.

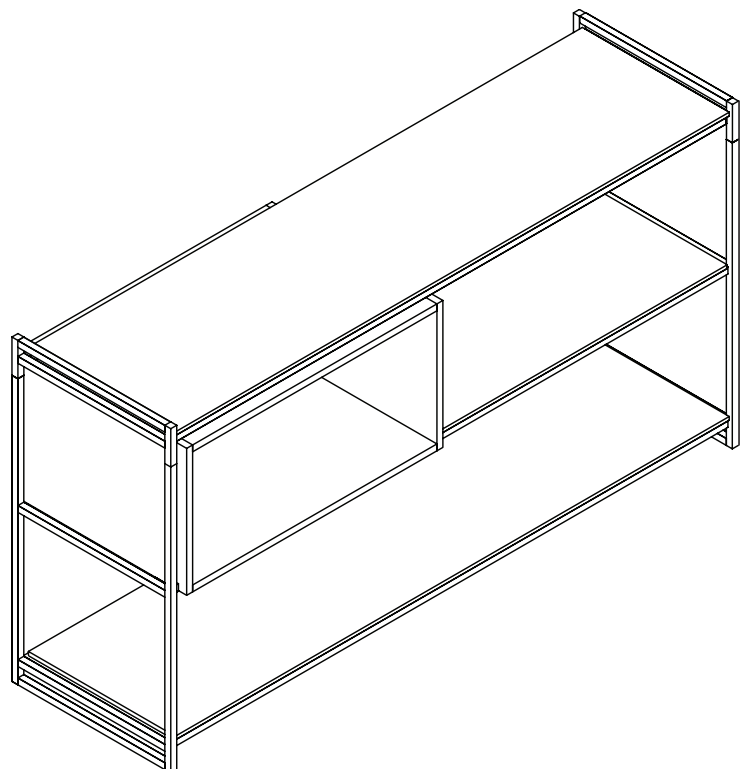


Position and fix cabinet from underneath centre rails lower and centre rails with screw C.

assembly stage 4

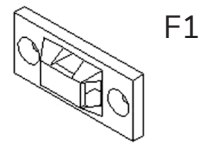
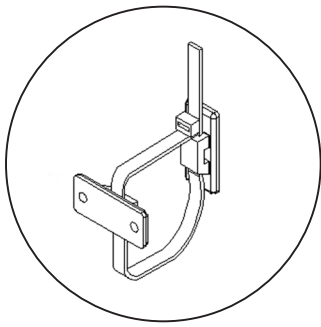


1. Place silicon glass supports **E** into frame
2. Carefully lower and position glass onto silicon supports

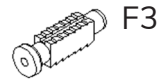


Wall Fixing

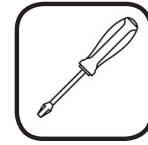
It is strongly recommended that you use the fixing strap provided to secure the furniture item to the wall to avoid accidental tipping on uneven floors or from improper use.



F1



F3



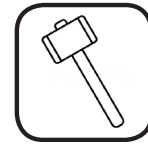
F2



F4

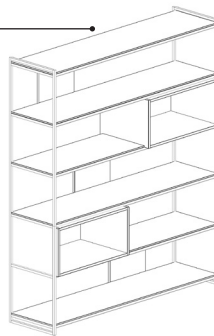
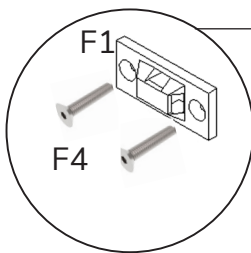


F5



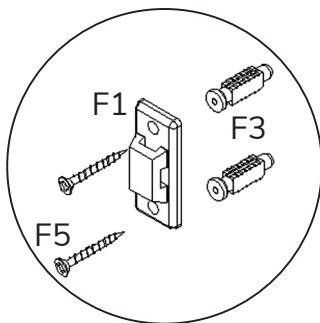
1.

- Attach 1 x bracket A to the top rear of the furniture frame



2.

- Make a mark on the wall approximately 2.5cm below bracket **F1** that is installed on the furniture.
- Attach the second bracket **F1** to the wall on this mark so it lines up vertically with the bracket on the furniture.
- To fix the bracket to the wall first drill 2 x 5mm holes into the wall at the mark using the bracket as a template for the hole position.
- Insert the plastic plugs **F3** into the holes in the wall and tap lightly with a hammer until they are seated flush.
- Attach the bracket A to the plastic plugs with long screws **F5**.



3.

- Move the furniture into position and line up the bracket **F1** on the furniture with the bracket **F1** on the wall.
- Thread strap **F2** through the brackets as shown.
- Pull strap to secure but do not over-tighten

