

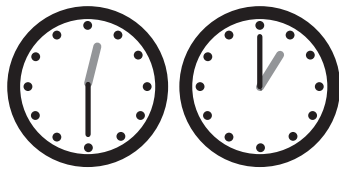
Federico

Two Drawer Chest

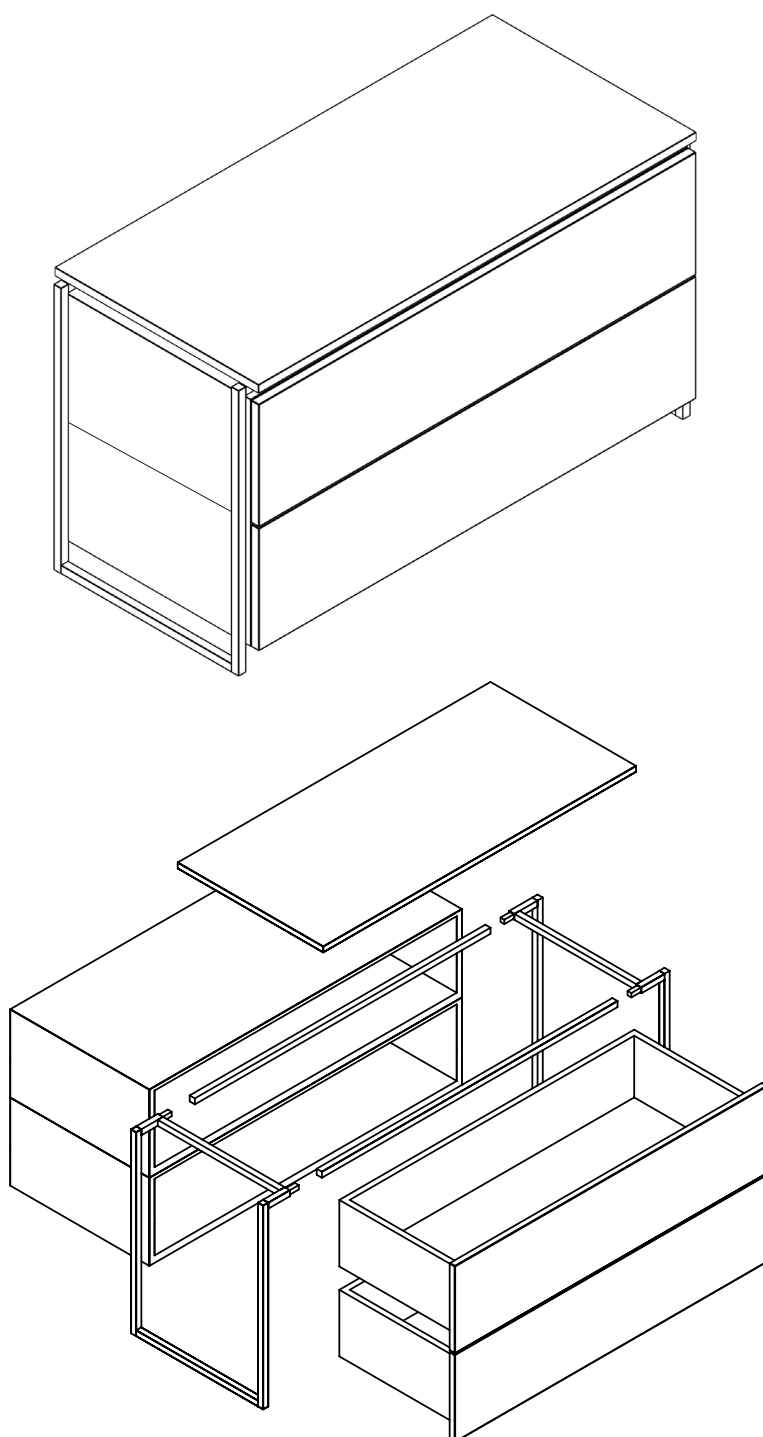


Model numbers 118-578/579/580/581/582/583

W930 H515 D400

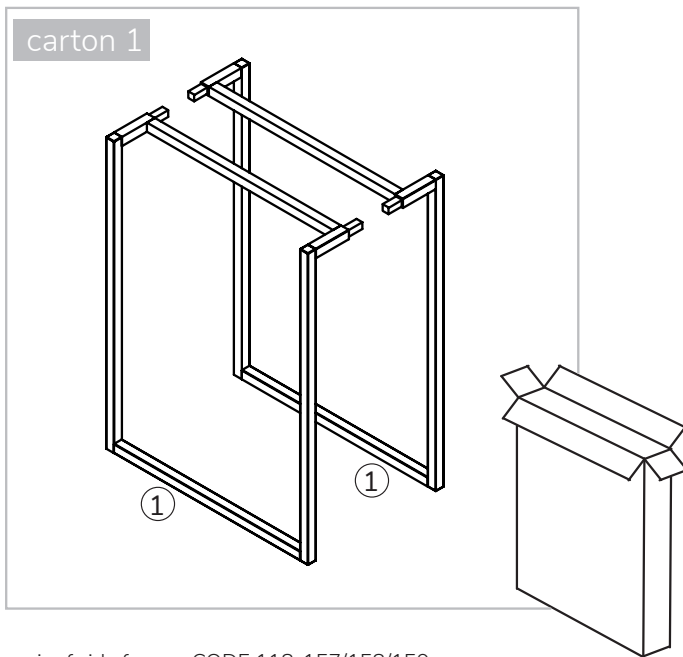


30-60 mins

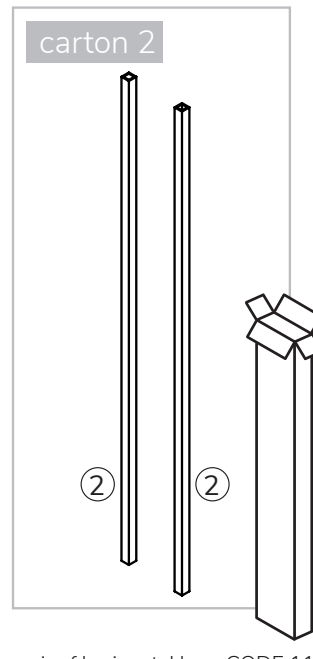


items

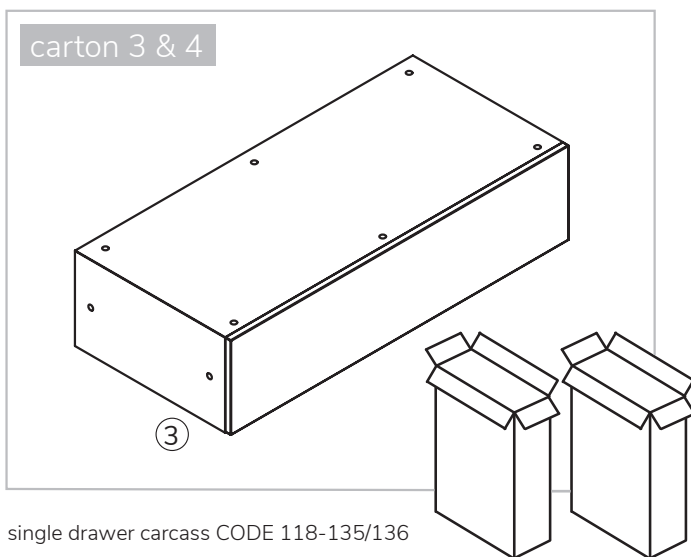
total cartons = 5



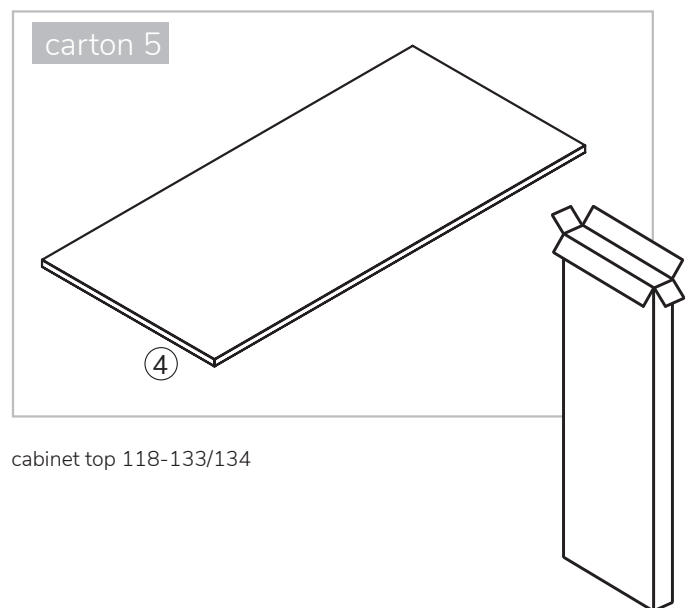
pair of side frames CODE 118-157/158/159



pair of horizontal bars CODE 118-143/145/146



single drawer carcass CODE 118-135/136



cabinet top 118-133/134

hardware



Item **A** = M6 * 20 x 8 (4 pieces in carton 3, 4 pieces in carton 4)

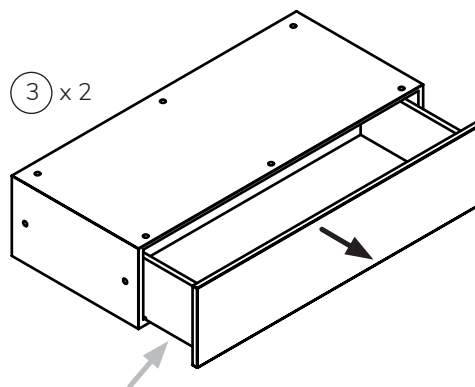
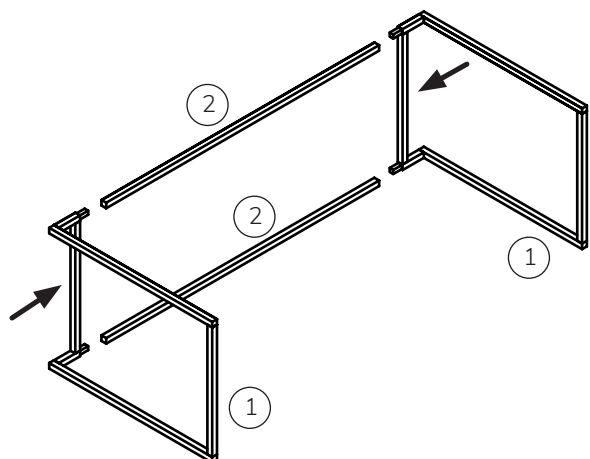


Item **B** = M6 * 35 x 6 (6 pieces in carton 5)



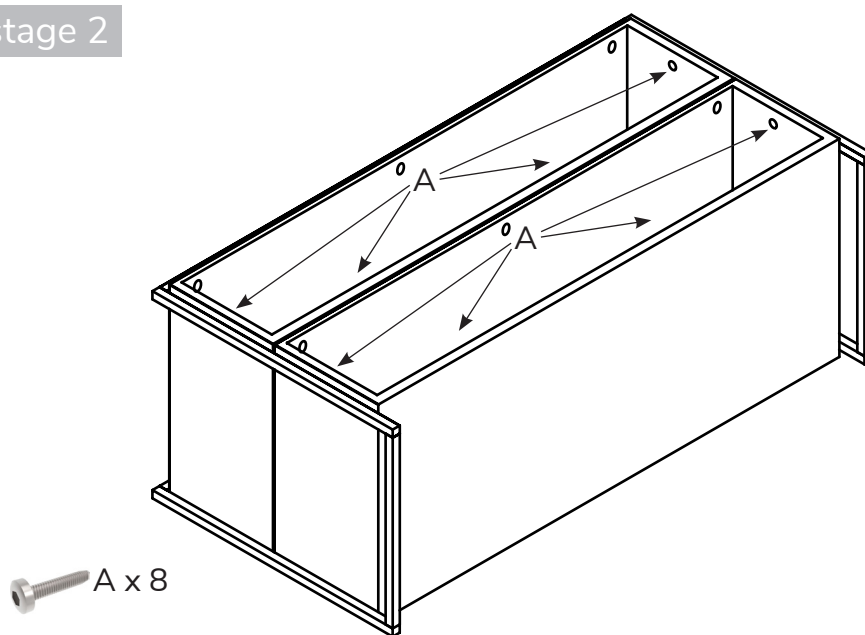
Item **C** = 4mm allen key x 1

assembly stage 1



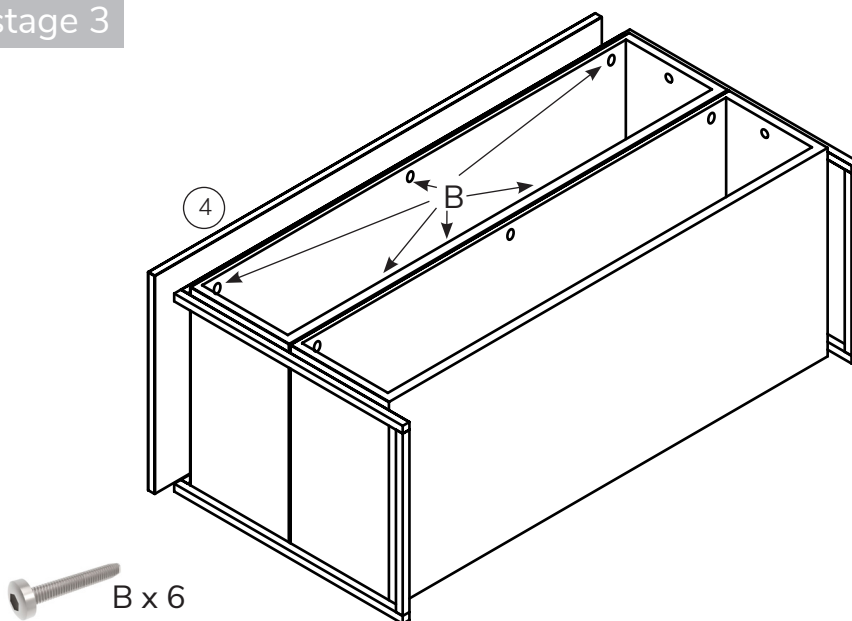
remove drawers by releasing clip on runners

assembly stage 2



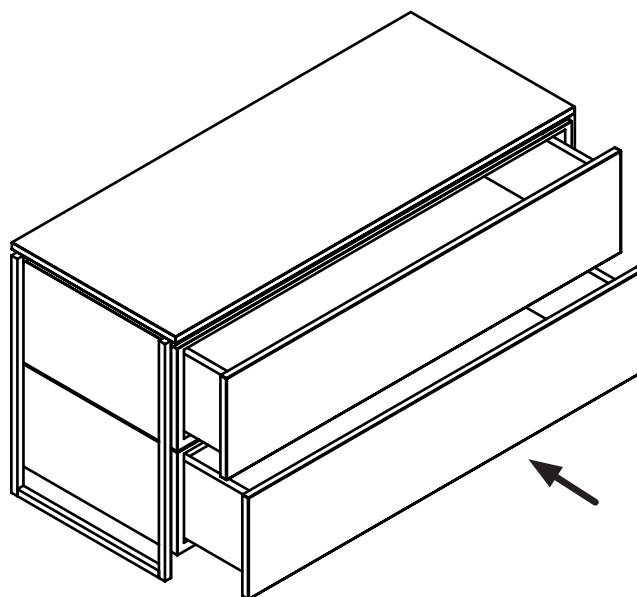
with frame laying on it's back, place drawer cabinets inside metal frame and attach to sides with 8 x bolt A

assembly stage 3



with frame laying on it's back, attach top from inside drawer cabinet using 6 x bolt B

assembly stage 4



return frame to upright position and replace drawers onto runners - ensure catch is engaged on runners and drawers are held firm.



GILLMORE

BRITISH DESIGN

sales@gillmore.co.uk

www.gillmore.co.uk