

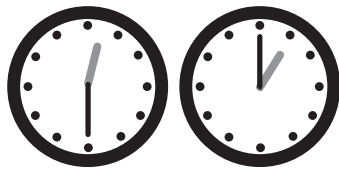
# Federico

## Sideboard

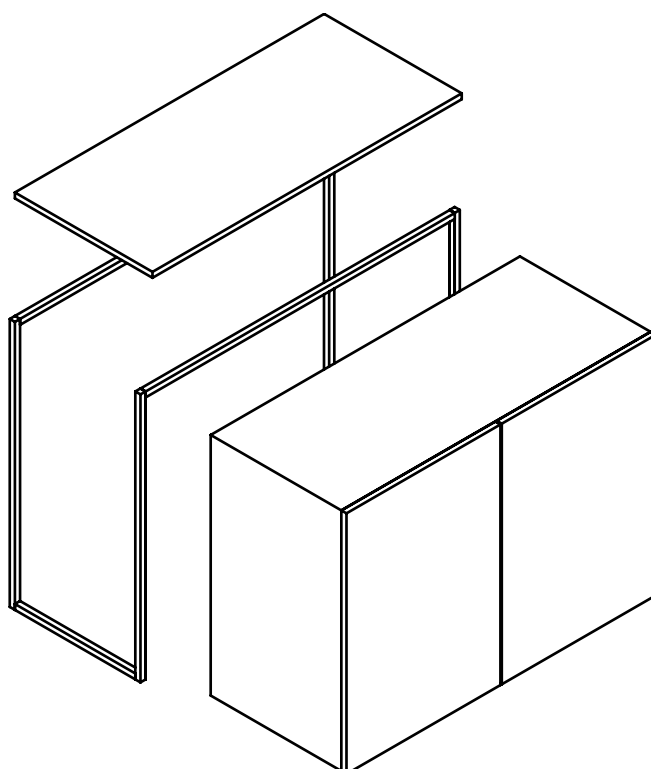
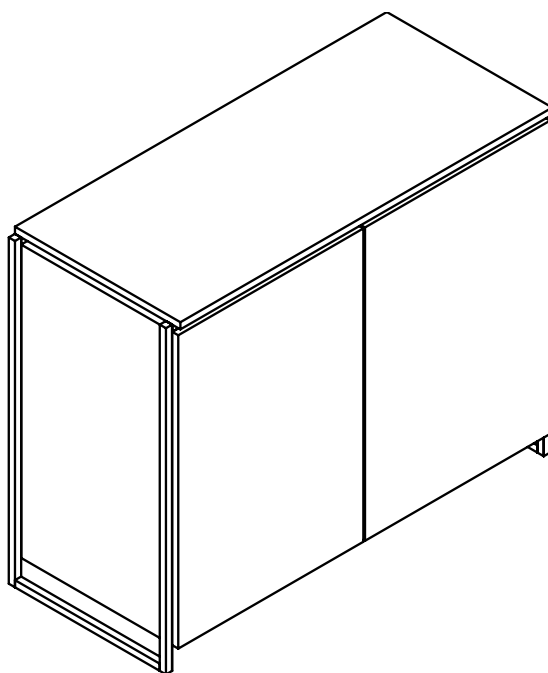


Model numbers 118-596/597/598/599/600/601

W930 H740 D400

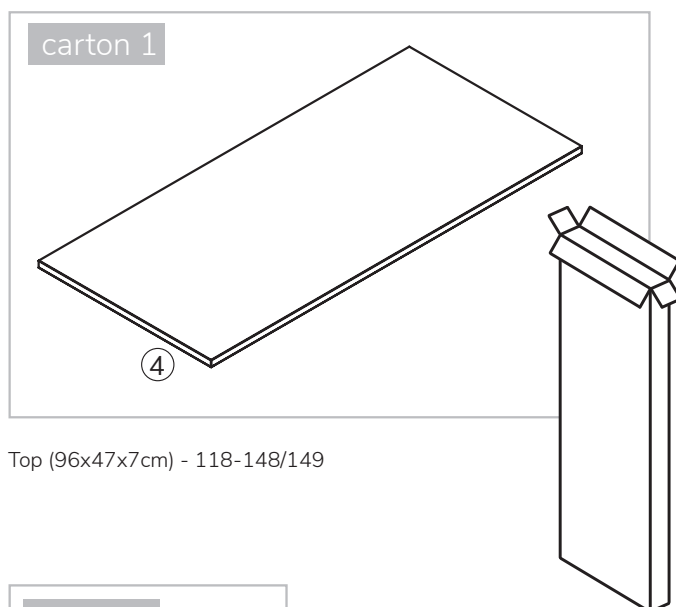


30-60 mins

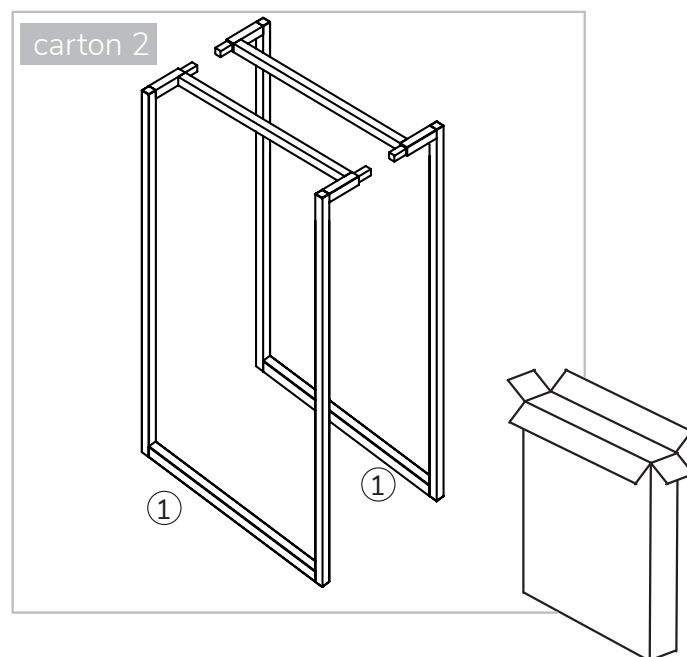


## items

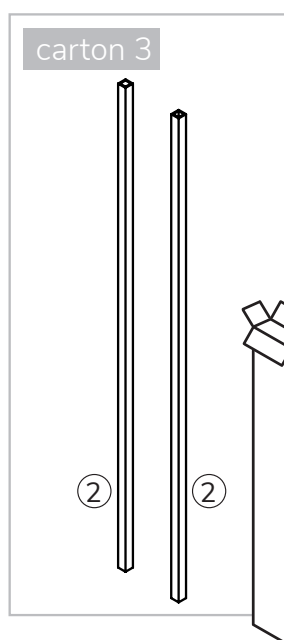
total cartons = 4



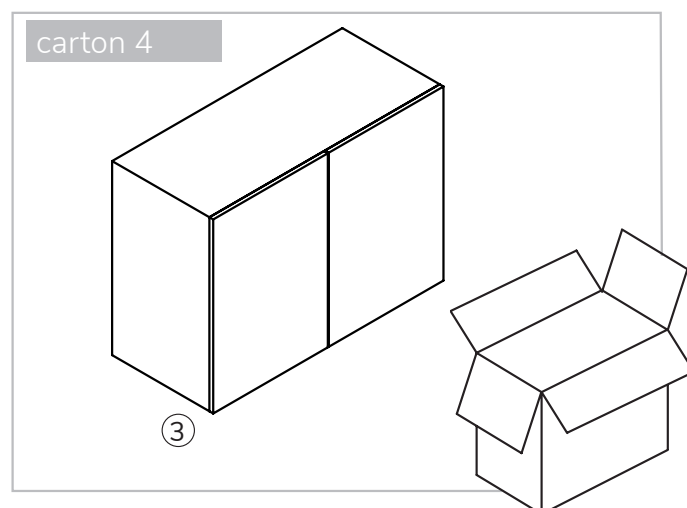
Top (96x47x7cm) - 118-148/149



Frame Sides (80x13x40) - 118-140/141/142



Horizontal Bars (80x08x04cm) - 118-143/144/145



Carcass (95x45x65cm) - 118-146/147

## hardware



Item **A** = M6 \* 20 x 12 (in carton 4)

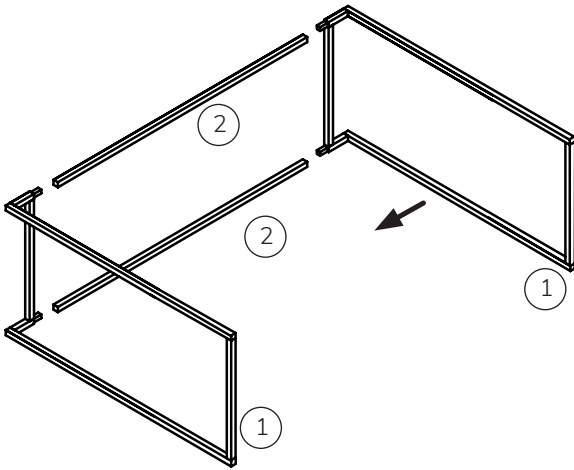


Item **B** = M6 \* 35 x 6 (in carton 1)



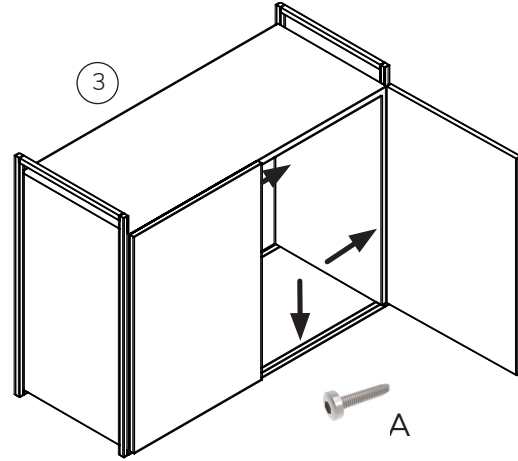
Item **C** = 4mm allen key x 1 (carton 4)

### assembly stage 1



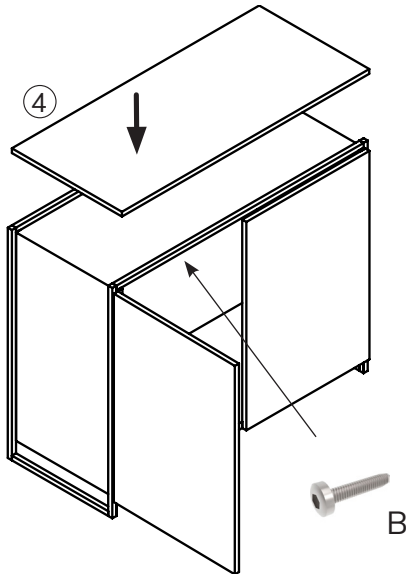
slide frame sides onto cross rails - no fixing required.

### assembly stage 2



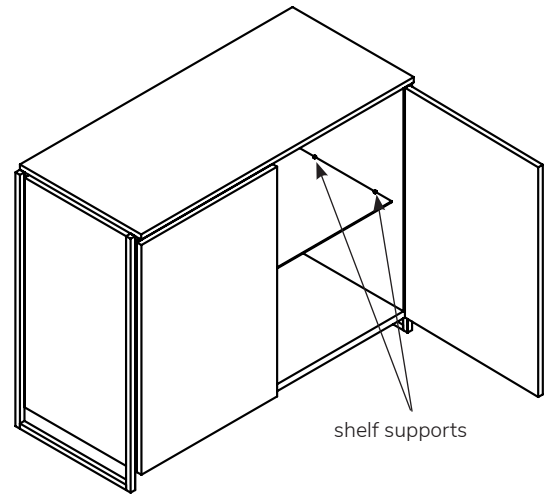
place carcass into the frame upside down and fix to frame with item A

### assembly stage 3

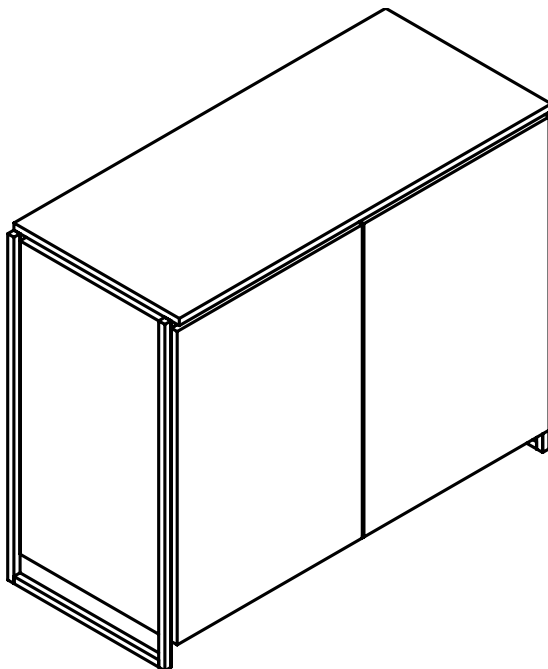


place the carcass and frame the correct way up and attach top with item B

### assembly stage 4



Secure glass shelf in place with pre- fitted fixings



**GILLMORE**

BRITISH DESIGN

sales@gillmore.co.uk

www.gillmore.co.uk