

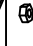














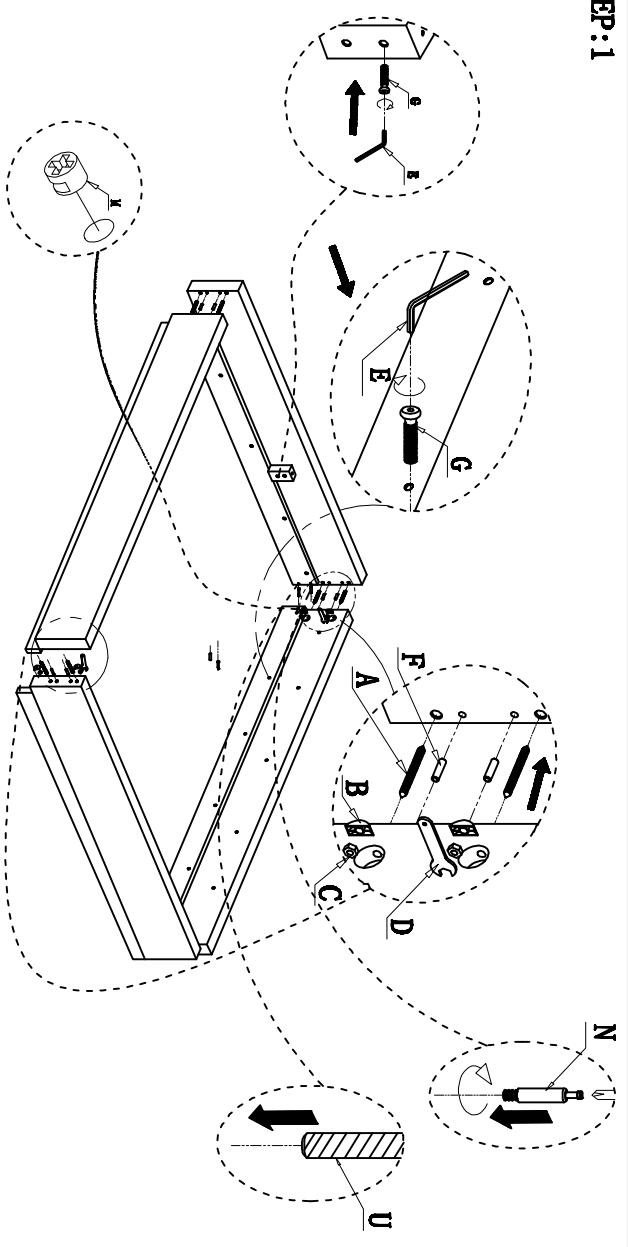
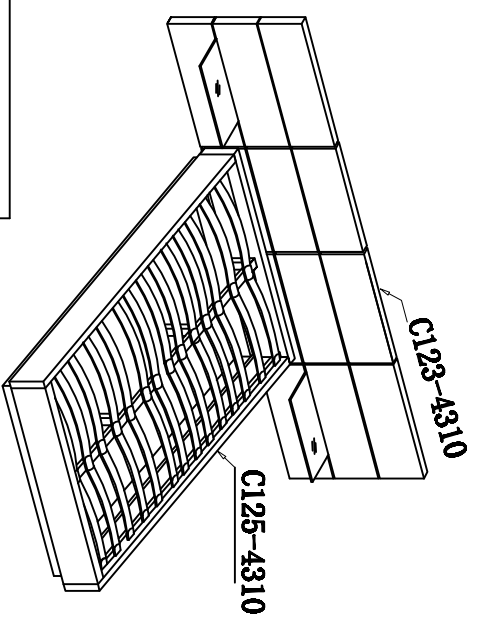
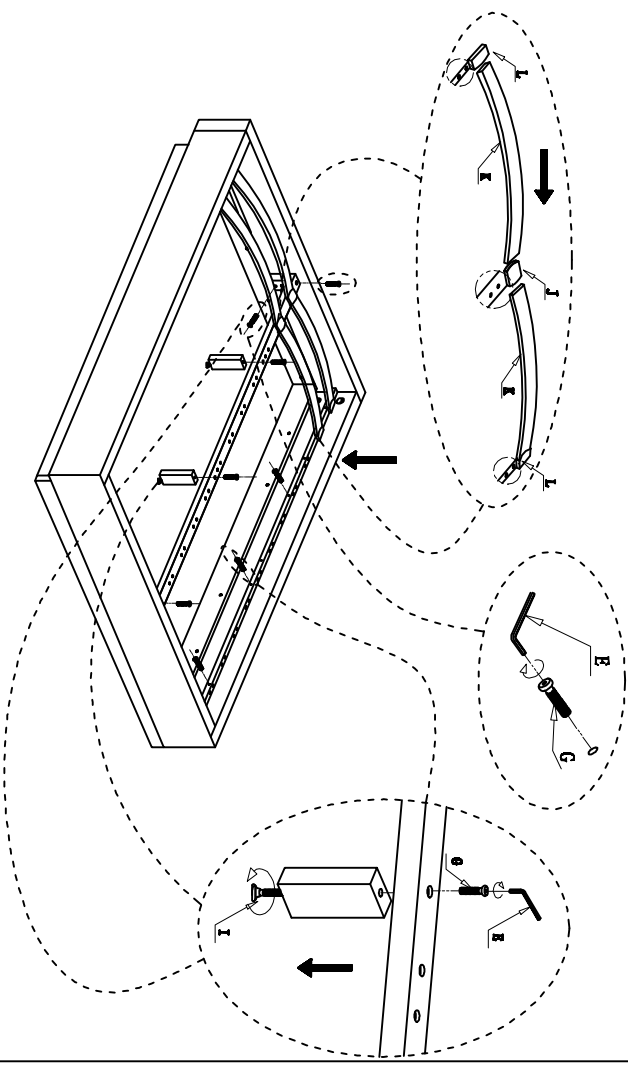


A		M8x 60mm	8 PCS
B		M8x30x15x9mm	8 PCS
C		M8	8 PCS
D		14mm	1 PCS
E		5mm	2 PCS
F		Ø6x25mm	84PCS
G		M6x35mm	36 PCS
I		M8*16/ø34*6mm	2 PCS
L		57mm	26 PCS
J		57mm	13 PCS
K		675x55mm*9 厚	26PCS
M		Ø15x13. 5mm	4PCS
N		M6x40mm	4PCS
T		Ø8x30mm	12PCS
Q		M8x80mm	12 PCS
S		M8x Ø 10x50mm	12 PCS
X		M8x Ø16mm	12 PCS

STEP:1

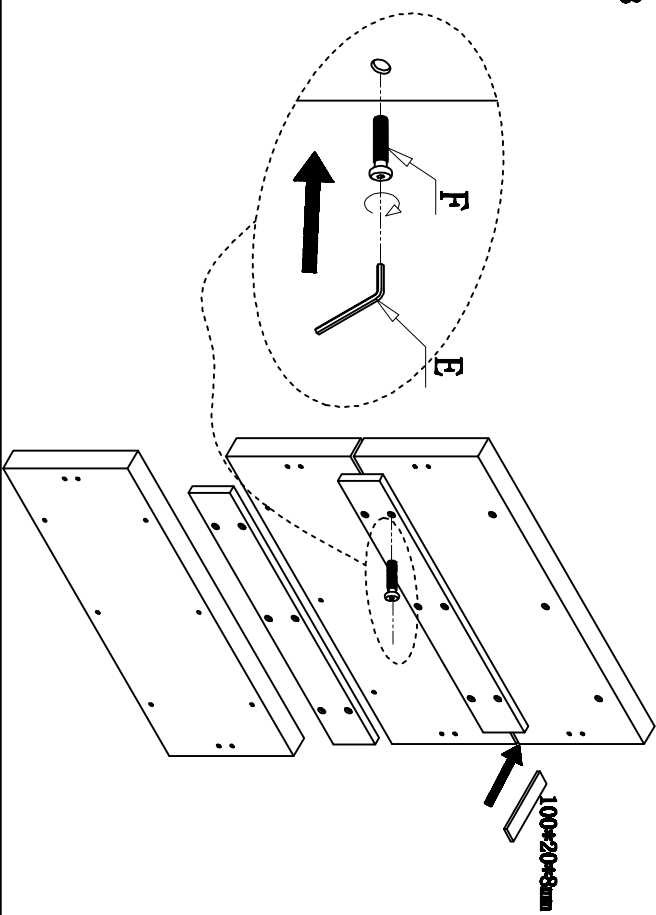


STEP:2

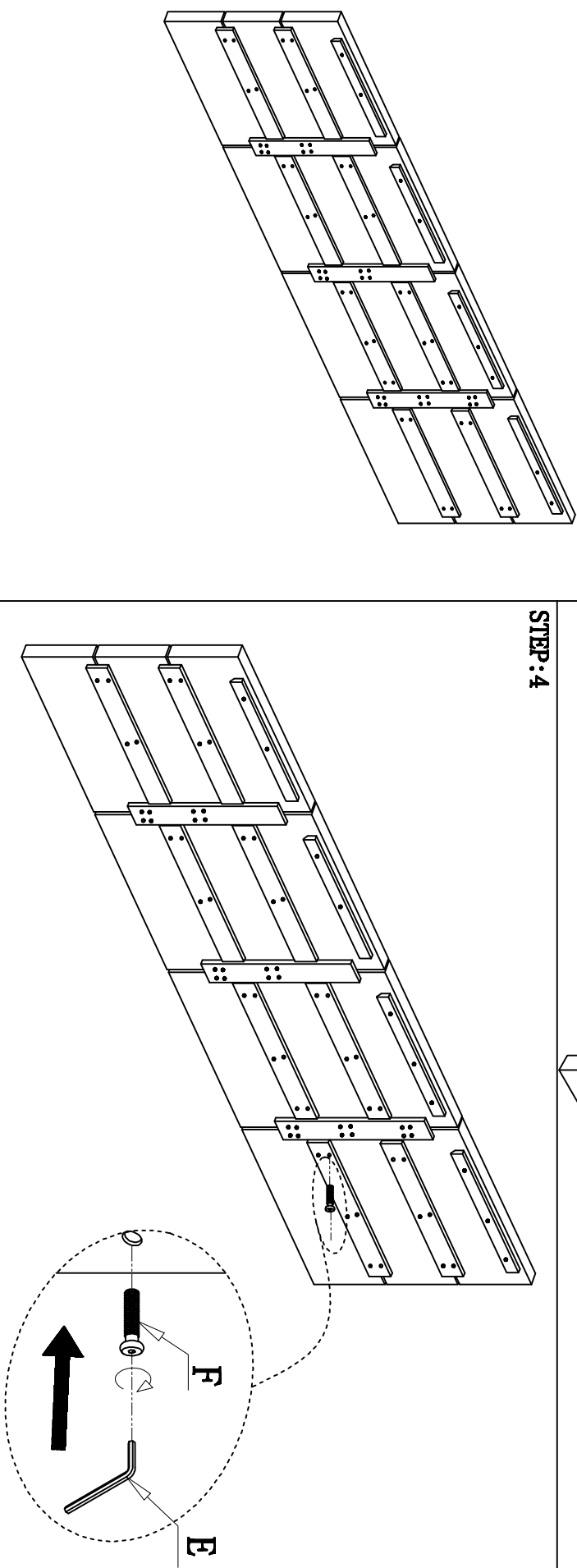


- C123-4310=4
- C125-4310=1
- C129-4310=2

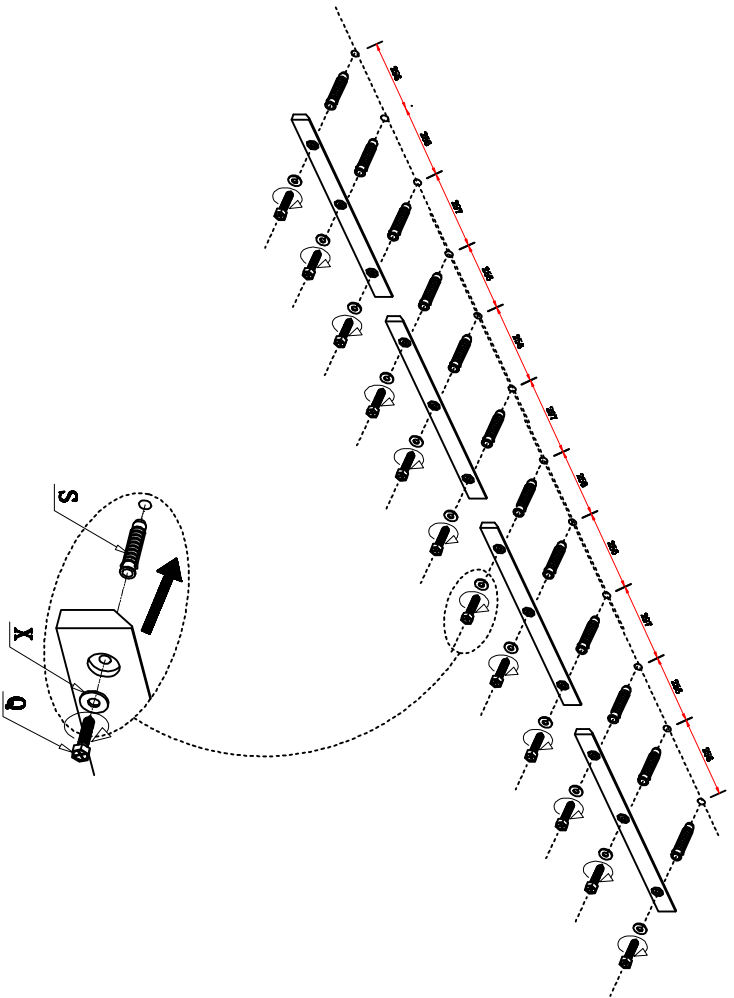
STEP:3



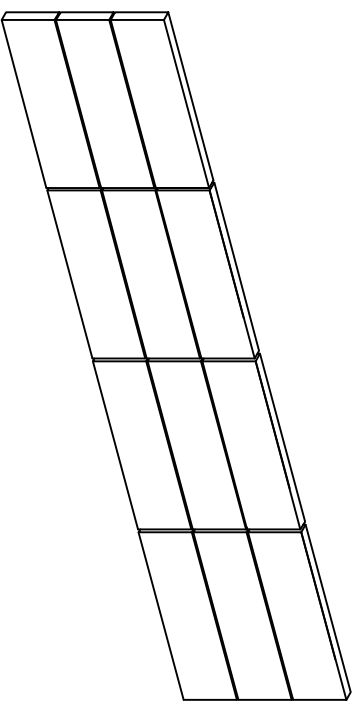
STEP:4



STEP: 5



STEP: 6



STEP: 7

