

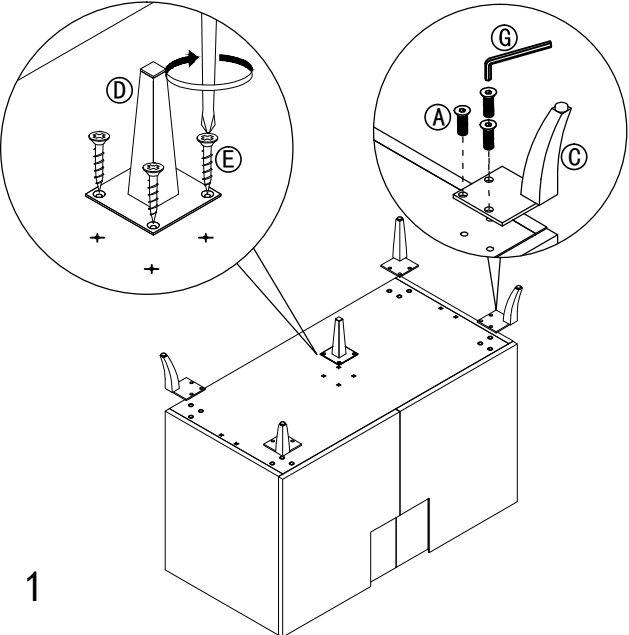
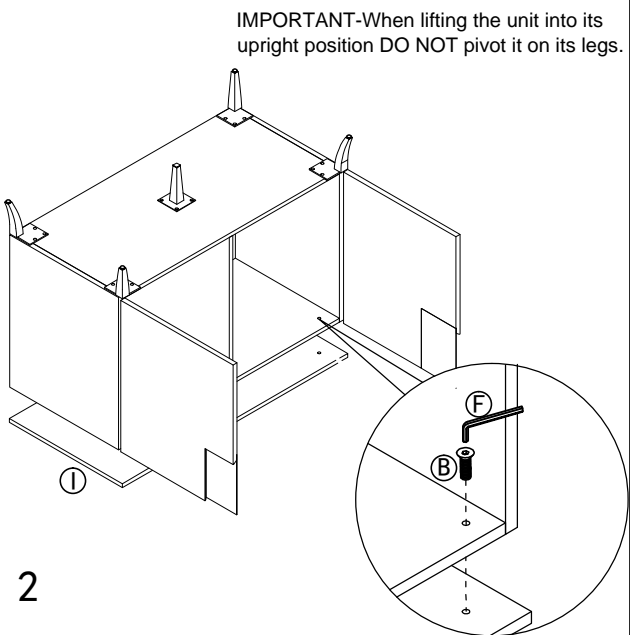
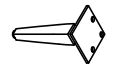
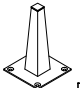





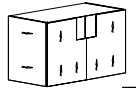
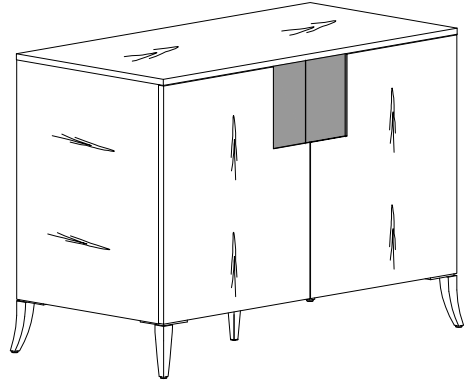
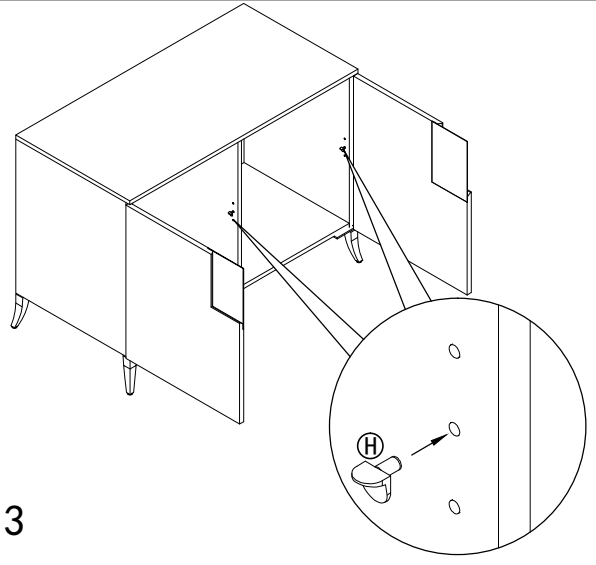


<p>A M8*16 X12</p> 	<p>B M6*16 X4</p> 	<p>1</p> 	<p>2</p> <p>IMPORTANT-When lifting the unit into its upright position DO NOT pivot it on its legs.</p> 
<p>C 316-112 X4</p> 	<p>D 316-121 X1</p> 		
<p>E M4*14 X4</p> 	<p>F M4 X1</p> 		
<p>G M5 X1</p> 	<p>H M5 X8</p> 		
<p>I 316-122 X1</p> 	<p>J 316-110 X1</p> 		
			
<p>3</p> 		<p>4</p> 