

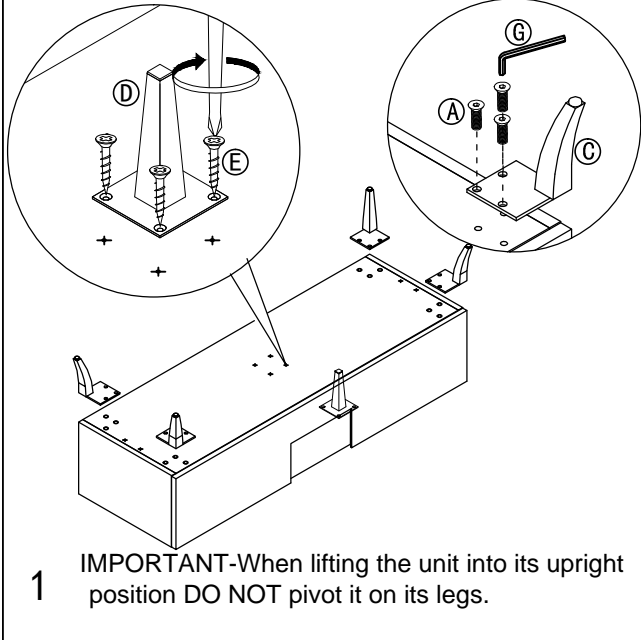
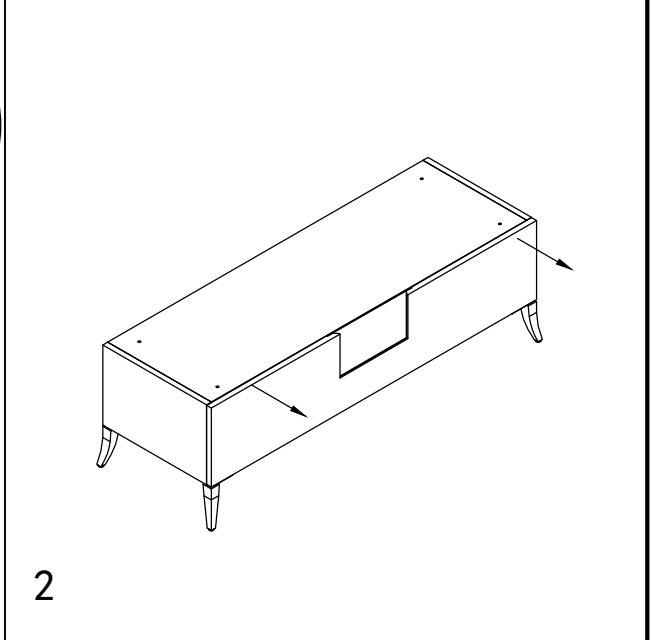
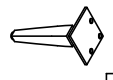
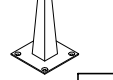
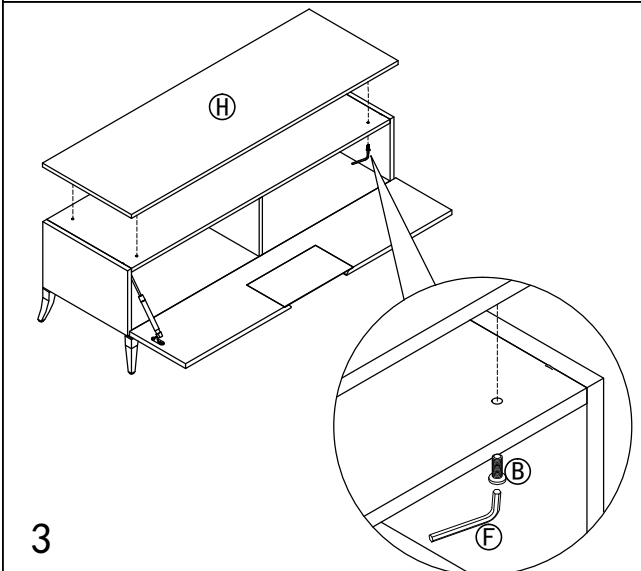
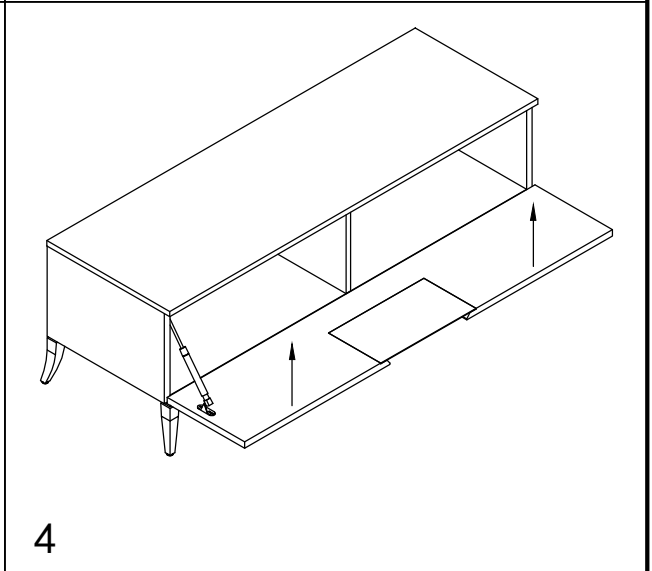


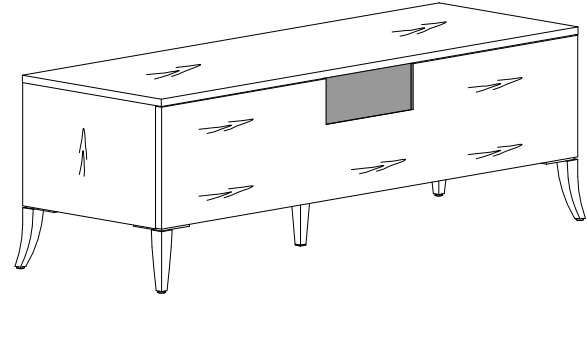




<p>A M8*16 X12</p> 	<p>B M6*16 X4</p> 	<p>1</p> 		<p>2</p> 
<p>C 316-112 X4</p> 	<p>D 316-121 X1</p> 	<p>3</p> 		<p>4</p> 
<p>E M4*14 X4</p> 	<p>F M4 X1</p> 			
<p>G M5 X1</p> 	<p>H 316-129 X1</p> 			
<p>I 316-111 X1</p> 